

L-9052(A)

8 digital input channels and 8 digital output channels module



Features

- ◆ Support Modbus/TCP, TCP/IP, UDP, ICMP, ARP
- ◆ Ethernet 10/100 Based-T Communication
- ◆ Support 8 isolated digital output with **Open Drain**.
- ◆ Provide 3A/per output channel.
- ◆ Provide Pulsed/delay Output Mode
- ◆ Support 8 Isolated digital Input Channels
- ◆ Provide Counter/ Frequency Inputs Mode
- ◆ Support **Dry Contact** Inputs
- ◆ Fully Photo-Isolation 3750Vrms

Specifications

- ◇ Interface: Ethernet 10/100 Based-T communication.
- ◇ COMM.: Support TCP/IP, UDP, ICMP, ARP
- ◇ Protocol: ASCII Format , Modbus/TCP
- ◇ Isolation Digital Input with **Dry contact**:
 - Channel: 8 channels (DI0~DI7)
 - Input Level: Logic level status can be inverted via ASCII/Modbus command.
 - Digital input: Isolated single ended with **common source**.
 - Dry Contact :
 - ✓ Logic level 1(active) : Close to DI.GND
 - ✓ Logic level 0 (inactive): Open
 - Counter input: 500Hz counter input (32-bit + 1-bit overflow)
 - Optical Isolation Voltage: 3750Vrms
- ◇ Isolation Digital Output :
 - Channel: 8 channels (DO0~DO7)
 - Output: Isolated **Open Drain**(P-MOSFET)
 - Output logical level: Logic level status can be inverted via ASCII/Modbus command.
 - Output load voltage: +5V ~ +30Vdc
 - Max load current : 3 A/per channel. (total 8 output channels maximum 8A).
 - Each channel supports 1KHz pulse output
 - Optical Isolation Voltage: 3750Vrms
- ◇ Display: Status LED indicator
- ◇ Power Requirement:
 - Power Consumption: 1.8 W (Typical)
 - Power Input: +10 ~ +30 VDC
 - Humidity : 5 ~ 95% RH, non-condensing

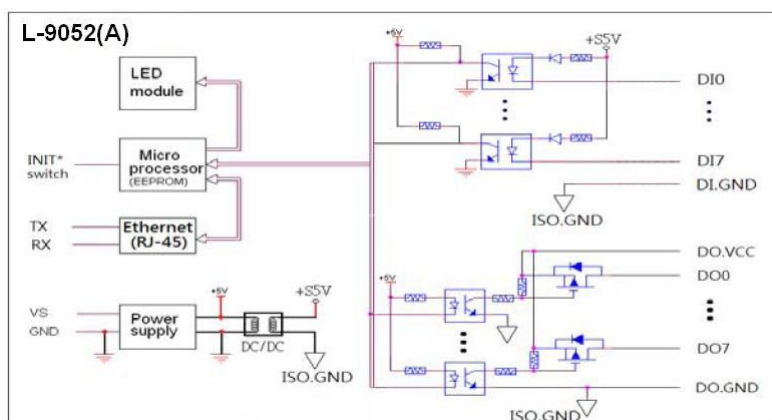
Order information

L-9052A :

8 channels digital input(**Dry Contact**) and 8 channels output module.

Flexible OEM/ODM design

Block Diagram



Wire Connection

