

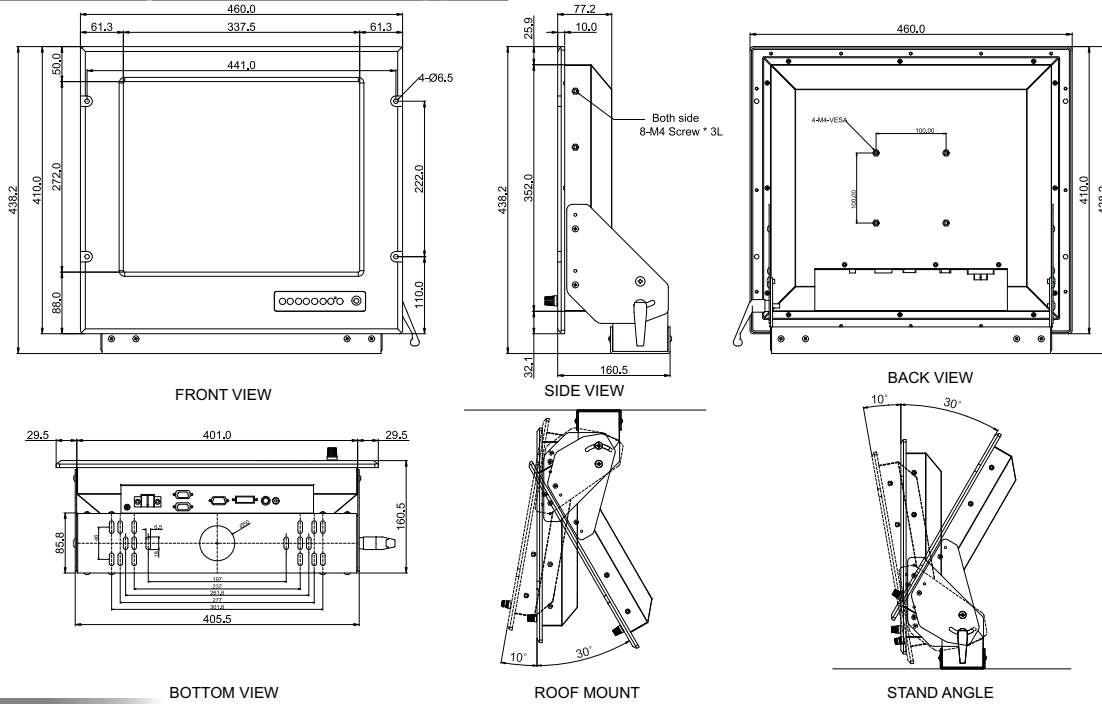




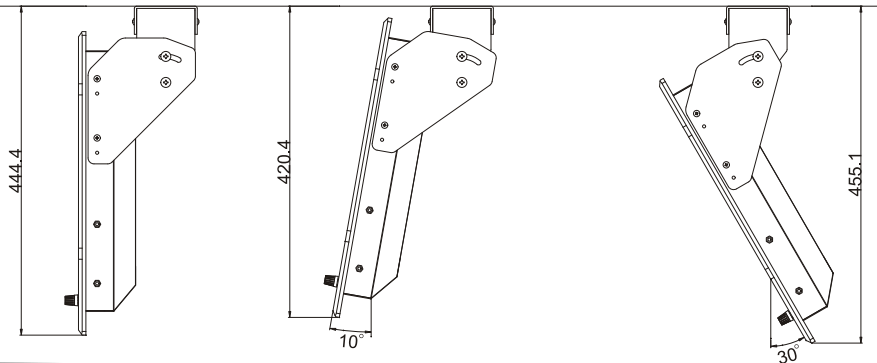
# 17" Marine Bridge System Display

Model # R17L500-MRM1

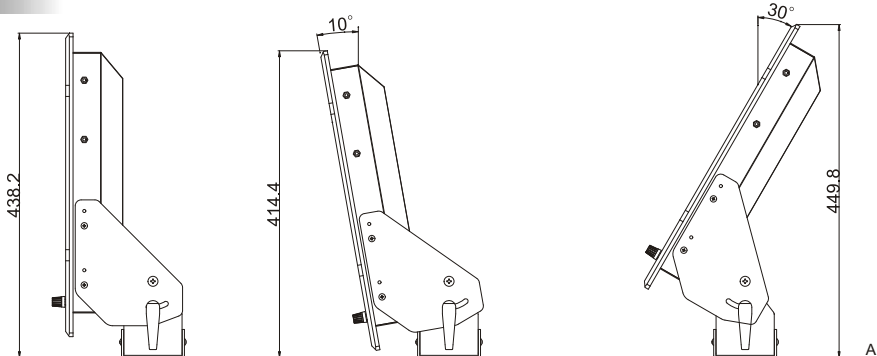
**Mechanical Design with Robust Bracket (option)**



**ROOF MOUNT**



**STAND ANGLE**



All Dimensions are ± 0.5 mm

\* Note: this is a simplified drawing and some components are not marked in detail. Please contact our sales representative if you need further product information.

Rev.	Reasons	Revised Date
1.0	First release *	Apr-12-10
1.1	Spec change	Jun-02-10
1.2	Spec change	Dec-10-10

\* Extra charge is required for back covers with bracket holes for products purchased before end of Nov. 08'

Certification and Approvals : CE, FCC



Note: All Specifications are subject to change without prior notice!

Revised Date : 12/10/2010

## Assured Systems

Assured Systems is a leading technology company with over 1,500 regular clients in 80 countries, deploying over 85,000 systems to a diverse customer base in 12 years of business. We offer high-quality and innovative rugged computing, display, networking and data collection solutions to the embedded, industrial, and digital-out-of-home market sectors.

### US

[sales@assured-systems.com](mailto:sales@assured-systems.com)

Sales: +1 347 719 4508  
Support: +1 347 719 4508

1309 Coffeen Ave  
Ste 1200  
Sheridan  
WY 82801  
USA

### EMEA

[sales@assured-systems.com](mailto:sales@assured-systems.com)

Sales: +44 (0)1785 879 050  
Support: +44 (0)1785 879 050

Unit A5 Douglas Park  
Stone Business Park  
Stone  
ST15 0YJ  
United Kingdom

VAT Number: 120 9546 28  
Business Registration Number: 07699660