

# R19IT3S-MRA2

## 19" Intel® Core™ i7-1165G7 Marine Panel PC



### KEY FEATURES

- Intel® Core™ i7-1165G7 processor marine panel PC
- Dimming knob control backlight brightness from nearly 0% to 100%
- 9~36V DC power input acceptable
- Panel (flush) mount IP66 aluminum housing with powder coating design

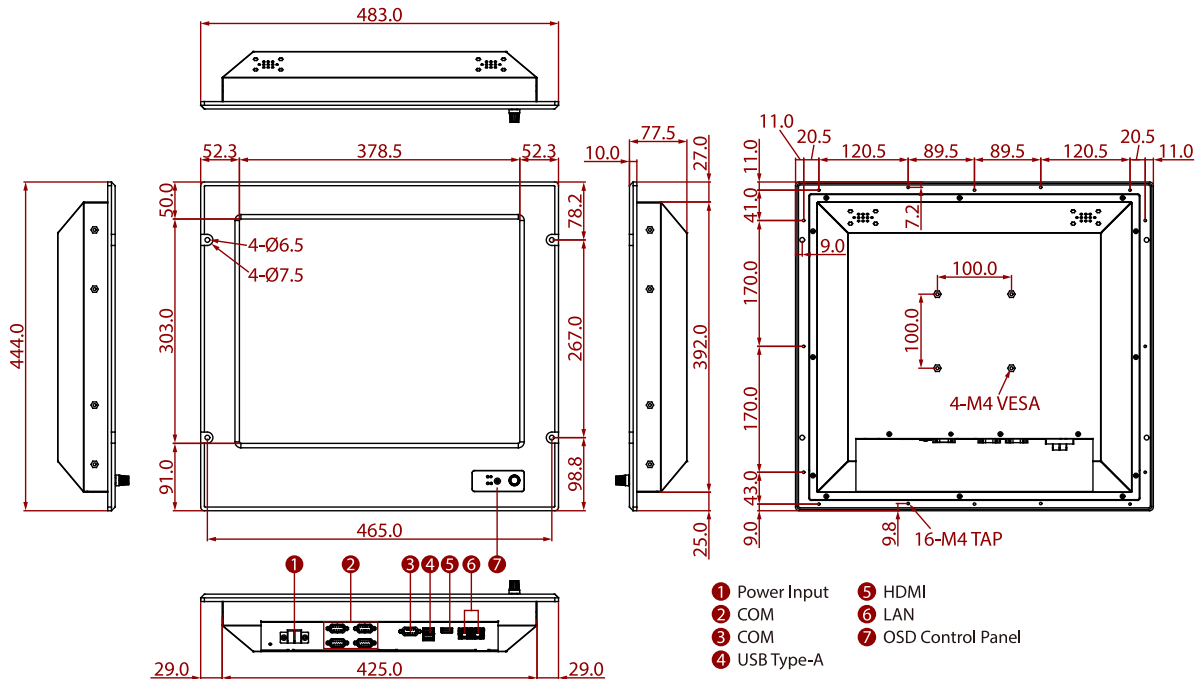


### SPECIFICATIONS

| Display                   |   |                              |   |
|---------------------------|---|------------------------------|---|
| <b>Resolution</b>         | 1280x1024   | <b>Size</b>                  | 19.0 inches   |
| <b>Contrast Ratio</b>     | 1000:1  | <b>Panel Brightness</b>      | 350.0 nits  |
| <b>View Angles</b>        | 85,85,80,80   | <b>Active Area</b>           | 376.32x301.06 mm  |
| <b>Touch / Glass</b>      | Resistive Touch Screen<br>AR Glass (Optional)   |                              |   |
| System Specification      |   |                              |   |
| <b>Processor</b>          | Intel Core i7-1165G7 2.8GHz (up to 4.7GHz)  | <b>Memory</b>                | 1 x SO-DIMM, DDR4 2400 MHz, 4GB<br>8GB (Optional)<br>16GB (Optional)<br>32GB (Optional) |
| <b>Storage</b>            | 1 x M.2 M-Key 2280 NVMe SSD, 128GB<br>256GB (Optional)<br>512GB (Optional)<br>1TB (Optional)<br>2TB (Optional)<br>4TB (Optional)    | <b>Ethernet controller</b>   | 2 x Intel® Ethernet Controller  |
| <b>Operating System</b>   | Windows 10 IoT Enterprise (64 bit) (Optional)<br>Windows 11 IoT Enterprise SAC (64 bit) (Optional)<br>Linux Ubuntu 22.04 (Optional) |                              |   |
| Environment               |   |                              |   |
| <b>Operating Humidity</b> | 5% to 95%   | <b>Operating Temperature</b> | -15~55°C  |
| <b>Shock</b>              | 15G, 11ms duration  | <b>Vibration</b>             | 0.7g@DNVGL CG-0339 (Class A)  |
| <b>IP rating</b>          | IP66 (Front Side)   |                              |   |
| Certification             |   |                              |   |
| <b>Certification</b>      | CE, FCC   |                              |   |
| IO Ports                  |   |                              |   |
| <b>USB Port</b>           | 2 x USB 3.0   | <b>Serial Port</b>           | 1 x RS232,<br>4 x RS232 or 4 x Isolation RS422/485 (Optional)                           |
| <b>Video</b>              | 1 x HDMI (Optional)   | <b>LAN</b>                   | 2 x RJ45-10/100/1000 Mbps   |
| Mechanical                |   |                              |   |
| <b>Dimension</b>          | 483 x 444 x 77.5 mm   | <b>Weight</b>                | 9.6 kg  |
| <b>Mounting</b>           | VESA Mount/ Panel Mount   | <b>Enclosure</b>             | Metal Housing with Aluminum Bezel   |

|                       |  |                    |               |
|-----------------------|--|--------------------|---------------|
| <b>Cooling System</b> | Fanless Design   | <b>Cut out</b>     | 429 x 396 mm  |
| <b>Accessory</b>      |  |                    |               |
| <b>Accessory</b>      | Driver CD & User Manual<br>4 x M6 Black Screw Bolt with M6 Nut<br>1 x AC Adapter12V/ 84W<br>1 x Power Cord |                    |               |
| <b>Power</b>          |  |                    |               |
| <b>Power Rating</b>   | 9~36V DC Input Acceptable  | <b>Consumption</b> | 65W (Typical) |
| <b>Control</b>        |  |                    |               |
| <b>Button</b>         | 1 x Power Button<br>1 x Reset Button<br>1 x The Dimming Knob   |                    |               |

**DIMENSIONS** UNIT:MM



**NOTE**

- 1.This is a simplified drawing and some components are not marked in detail.
- 2.Please contact our sales representative if you need further product information.
- 3.All specifications are subject to change without prior notice.
- 4.The product shown in this datasheet is a standard model.For diagrams that contain customized or optional I/ O, please contact the Winmate Sales Team for more information.

## Assured Systems

Assured Systems is a leading technology company with over 1,500 regular clients in 80 countries, deploying over 85,000 systems to a diverse customer base in 12 years of business. We offer high-quality and innovative rugged computing, display, networking and data collection solutions to the embedded, industrial, and digital-out-of-home market sectors.

### US

[sales@assured-systems.com](mailto:sales@assured-systems.com)

Sales: +1 347 719 4508  
Support: +1 347 719 4508

1309 Coffeen Ave  
Ste 1200  
Sheridan  
WY 82801  
USA

### EMEA

[sales@assured-systems.com](mailto:sales@assured-systems.com)

Sales: +44 (0)1785 879 050  
Support: +44 (0)1785 879 050

Unit A5 Douglas Park  
Stone Business Park  
Stone  
ST15 0YJ  
United Kingdom

VAT Number: 120 9546 28  
Business Registration Number: 07699660