

# WMP-227

21.5" Wide Core i Fanless Medical Panel PC



## Key Features

- Front full flat resistive touch with IP65 protection
- Fanless operating w/ reliable thermal design
- Anti-bacteria plastic housing and medical 60601-1 3<sup>rd</sup> edition certification
- 21.5" wide full HD 1920x1080 LCD w/ LED backlight
- Intel low power Core i3 / i5 / i7 & Celeron dual core 1.1G processor
- PCI-E/PCI expansion and two mini-PCIe sockets
- Optional internal battery pack for 25 minutes operating
- Optional Wifi, Webcam, Bluetooth and RFID reader
- Customization for LAN/COM/USB isolation, change touch to glass

## Main System

|                   |  |
|-------------------|--|
| <b>CPU</b>        | FCBGA1023 2nd Generation Intel® Core i7 / i5 / i3 / Celeron® processor (17W max.)  |
| <b>Chipset</b>    | Intel BD82HM65 PCH   |
| <b>Graphics</b>   | <ul style="list-style-type: none"> <li>• Core i5-2467M: Intel HD Graphics HD 3000</li> <li>• Celeron 847E: Intel HD Graphics</li> </ul>                  |
| <b>Memory</b>     | 8GB maximum, x 2 DDR3 SODIMM, 1066/1333MHz, 2GB/4GB/8GB  |
| <b>Serial ATA</b> | SATA3 x 2, 600MB/s transfer rate   |
| <b>USB</b>        | x 7 (socket), USB 2.0 (x 4 external, x 3 internal)   |
| <b>COM</b>        | x 6 (x 2 external, x 4 internal)   |
| <b>Audio</b>      | Realtek ALC262 audio codec, 2+2 watts amplifier  |
| <b>LAN</b>        | Marvell 88E8071 Gigabit Ethernet x 2   |
| <b>BIOS</b>       | <ul style="list-style-type: none"> <li>• AMI BIOS, 4M EEPROM</li> <li>• RTC wake up / Wake on LAN / Power on after power failure / PnP / ACPI</li> </ul> |
| <b>Speaker</b>    | 1.5 watts x 2 (front bottom)   |

## LCD Panel

|                      |                             |
|----------------------|-----------------------------|
| <b>Size</b>          | 21.5" wide 16:9             |
| <b>Resolution</b>    | Full HD 1920 x 1080         |
| <b>Brightness</b>    | 250 nits                    |
| <b>Contrast</b>      | 1000:1                      |
| <b>Color numbers</b> | 16.7M (6-bit x 3 + Hi FRC)  |
| <b>Viewing angle</b> | 170 (H) / 160 (V)           |
| <b>Response time</b> | 5 ms (R + F)                |
| <b>Backlight</b>     | LED, 30,000 hours life time |

## Touch Panel

|                            |  |
|----------------------------|--|
| <b>Type</b>                | Front full flat customized touch panel |
| <b>Technology</b>          | Resistive touch, 5-wire                |
| <b>Light transmittance</b> | > 78% (at 550 nm wavelength)           |
| <b>Hardness</b>            | 3H                                     |
| <b>Touch stylus</b>        | No limitation                          |
| <b>Resolution</b>          | 4096 x 4096                            |
| <b>Life time</b>           | 35 million activations                 |

## Storage & Expansion

|                       |   |
|-----------------------|---|
| <b>HDD</b>            | 2.5" SATA HDD drive bay x 1 + anti-vibration kit, 160GB / 500GB   |
| <b>Expansion slot</b> | <ul style="list-style-type: none"> <li>• PCI-E (x16) x 1 (or PCI x 1)</li> <li>• Card size: 100 x 155 x 18/0.5 mm or 68 x 220 x 18/0.5 mm</li> <li>• Mini PCIe x 2 (52 pin card-edge type)</li> </ul> |

## I/O & Control Keys

|                     |   |
|---------------------|---|
| <b>USB</b>          | USB 2.0 x 4   |
| <b>COM</b>          | DB-9 x 2 (RS232, RS232/422/485)   |
| <b>LAN</b>          | RJ-45 x 2, Gigabit  |
| <b>Video-out</b>    | DVI-I x 1   |
| <b>Audio</b>        | Line-out, Microphone-in (3.5 mm phone-jack)   |
| <b>Power input</b>  | DC-in x 1, 6V~32V   |
| <b>Control keys</b> | <ul style="list-style-type: none"> <li>• Front side, projected capacitive type</li> <li>• Power on/off, Brightness, Audio volume, Backlight on/off, Touch on/off</li> </ul> |

## Power

|                                    |  |
|------------------------------------|--|
| <b>Power adaptor</b>               | External, 100 watts, 90~264V AC in, 12V DC out, medical grade, 1.2m DC cable   |
| <b>Power consumption</b>           | 65.66W (Full loading) / 5.7W (S3 standby)  |
| <b>Internal battery (optional)</b> | <ul style="list-style-type: none"> <li>• Li-Ion, 28Wh, for 25 minutes operating (approx.), 2S2P</li> <li>• Charge time: 2 hours (system off), 3.5 hours (system on)</li> </ul> |
| <b>System power input</b>          | • DC12V, others by optional DC-DC adaptor  |

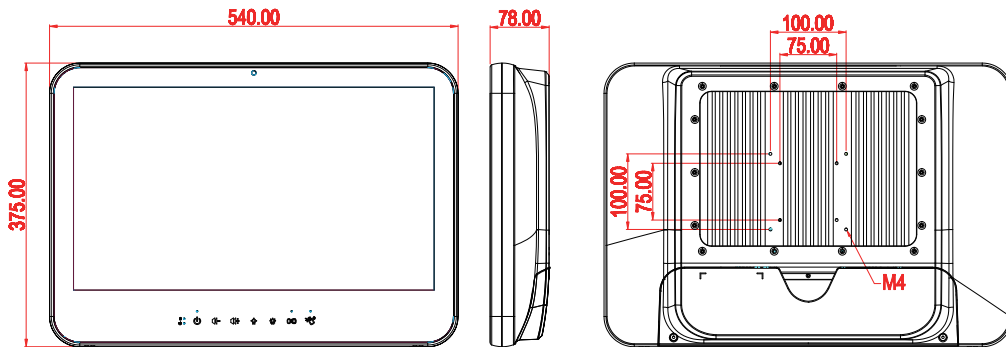
## Mechanical & Environmental

|                        |  |
|------------------------|--|
| <b>Housing</b>         | <ul style="list-style-type: none"> <li>• Front: Full flat design / Touch (standard), Glass (optional)</li> <li>• Rear: Plastic + I/O cover w/ antibacterial treatment</li> <li>• Housing: White . Control key icons: Grey</li> </ul> |
| <b>Color</b>           | IP65 – front side  |
| <b>IP rating</b>       | Fanless w/ back cover aluminum thermal plate   |
| <b>Cooling</b>         | VESA 75 x 75 / 100 x 100 mm  |
| <b>Mounting</b>        | Yes, x 1 at bottom   |
| <b>Kensington lock</b> | 540 x 375 x 78 mm (W x H x D, w/o stand)   |
| <b>Dimension</b>       | 7.0 Kg (approximate, w/o power adaptor)  |
| <b>Weight (net)</b>    | • Operating – 0°C~40°C . Storage – -20°C~60°C  |
| <b>Temperature</b>     | Operating & storage – 10%~90%, non-condensing  |
| <b>Humidity</b>        | • FCC-B, cUL, CE, VCCI   |
| <b>Regulatory</b>      | • Medical 60601-1 3 <sup>rd</sup> edition (EN 60601-1:2006, ANSI/AAMI ES60601-1:2005, CAN/CSA C22.2 No. 60601-1:08)  |

# WMP-227

21.5" Wide Core i Fanless Medical Panel PC

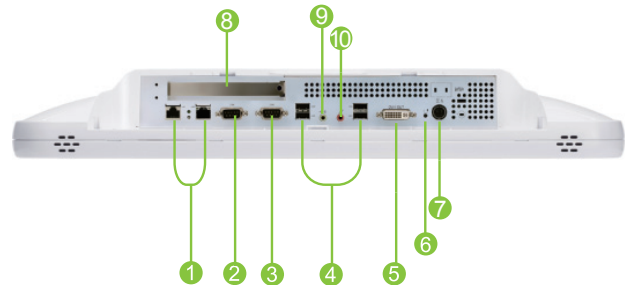
## Outline Dimension



## Packaging / Options / Customization

- Packaging Options**
- System, power adaptor, AC power cord, CD (drivers & manual)
  - WLAN 802.11 a/b/g/n mini PCIe module w/ internal antenna x 2
  - Bluetooth 2.1 (USB)
  - Webcam (2M pixel, USB)
  - Battery pack
  - RFID reader (13.56Hz, USB)
  - Power adaptor w/ 2.4m or 3.6m DC cable
  - Anti-bacteria desktop stand (metal, white)
- Customization**
- Add extra two COM ports
  - LAN isolation x 1
  - Add COM isolation x 2 module (use expansion slot area)
  - Add USB isolation x 1
  - Change touch to glass
  - Microphone on I/O cover (Configure of order service)

## I/O Connectors



- |                 |                       |
|-----------------|-----------------------|
| ① LAN x 2       | ⑥ Reset               |
| ② RS232/422/485 | ⑦ DC-in               |
| ③ RS232         | ⑧ PCI-E/PCI expansion |
| ④ USB x 4       | ⑨ Line-out            |
| ⑤ DVI-I         | ⑩ Microphone-in       |



## Ordering Information

- WMP-227-IR0E0; Core™ i5-2467M, 1.60GHz, DDR3 2G RAM, SATA 160G HDD, Full flat resistive touch, PCI-Ex16



Web: [www.wincomm.com.tw](http://www.wincomm.com.tw)  
Contact: [sales\\_support@wincomm.com.tw](mailto:sales_support@wincomm.com.tw)

**Wincomm Corporation**  
3F, NO. 14, Prosperity Road II, Science-Based Industrial Park,  
Hsinchu, Taiwan 30078, R.O.C  
Tel : +886 3 578 0000 Fax: +886 3 578 0295

## Assured Systems

Assured Systems is a leading technology company with over 1,500 regular clients in 80 countries, deploying over 85,000 systems to a diverse customer base in 12 years of business. We offer high-quality and innovative rugged computing, display, networking and data collection solutions to the embedded, industrial, and digital-out-of-home market sectors.

### US

[sales@assured-systems.com](mailto:sales@assured-systems.com)

Sales: +1 347 719 4508  
Support: +1 347 719 4508

1309 Coffeen Ave  
Ste 1200  
Sheridan  
WY 82801  
USA

### EMEA

[sales@assured-systems.com](mailto:sales@assured-systems.com)

Sales: +44 (0)1785 879 050  
Support: +44 (0)1785 879 050

Unit A5 Douglas Park  
Stone Business Park  
Stone  
ST15 0YJ  
United Kingdom

VAT Number: 120 9546 28  
Business Registration Number: 07699660