

R15IK3S-SPC369-P1

15" Intel® Core™ i5 IP69K Stainless P Series Panel PC



KEY FEATURES

- Intel® Core™ i5-7200U, 2.50 GHz
- Fanless cooling system
- SUS316 / AISI 316 stainless steel for food and chemical industries
- Full IP69K waterproof enclosure
- A true flat, easy-to-clean front surface with edge-to-edge design
- Waterproof sealed conduit pipe for cable protection
- Support VESA mount, and optional Yoke mount stand
- Support Glove/ Rain mode
- Optical bonding (optional)



SPECIFICATIONS

Display			
Resolution	1024x768	Size	15 inches
Contrast Ratio	2000:1	Panel Brightness	300 nits
View Angles	88,88,88,88	Active Area	304.1x228.1 mm
Touch / Glass	Projected Capacitive Multi Touch Screen		
System Specification			
Processor	Intel® Core™ i5-7200U (3M Cache, up to 3.10 GHz) Intel® Core™ i5-7300U (3M Cache, up to 3.50 GHz)	Memory	1 x SO-DIMM, DDR4 2133 MHz, 4GB 8GB (Optional) 16GB (Optional)
Storage	1 x M.2 2242 SSD 128GB M.2 2242 SSD up to 512GB (Optional)	Ethernet controller	Intel® Ethernet Controller I211-AT + Intel® Ethernet Connection I219-LM
Security	TPM 2.0	Operating System	Windows 10 IoT Enterprise (Optional) Linux Ubuntu 18.04 (Optional)
WLAN	Support (Optional)	BT	Support (Optional)
Mechanical			
Dimension	378 x 301 x 56.2 mm	Mounting	VESA Mount Yoke Mount
Enclosure	Stainless Housing	Cooling System	Fanless design
Environment			
Operating Humidity	10% to 90% (non-condensing)	Operating Temperature	0~45°C
Storage Temperature	-20~60°C	IP rating	IP69K
Certification			
Certification	CE, FCC		
IO Ports			
USB Port	2 x USB3.0 (Type-A)	Serial Port	1 x RS232/422/485 (Default RS232)
Video	1 x HDMI 1.4	LAN	2 x Giga LAN RJ45 Connector
Indicator	1 x LED Indicator on power button		
Control			

Button 1 x Power Button

Accessory

Accessory 1 x Waterproof Conduit 1.5m
1 x Waterproof Conduit 0.3m
2 x Elbow for connect the conduit
1 x AC to DC power adapter with power cord
1 x D-sub9(male) to RJ45 adapter
1 x D-sub9(female) to RJ45 adapter
1 x External RJ45 male to male cable
Driver CD & Manual
VESA screws

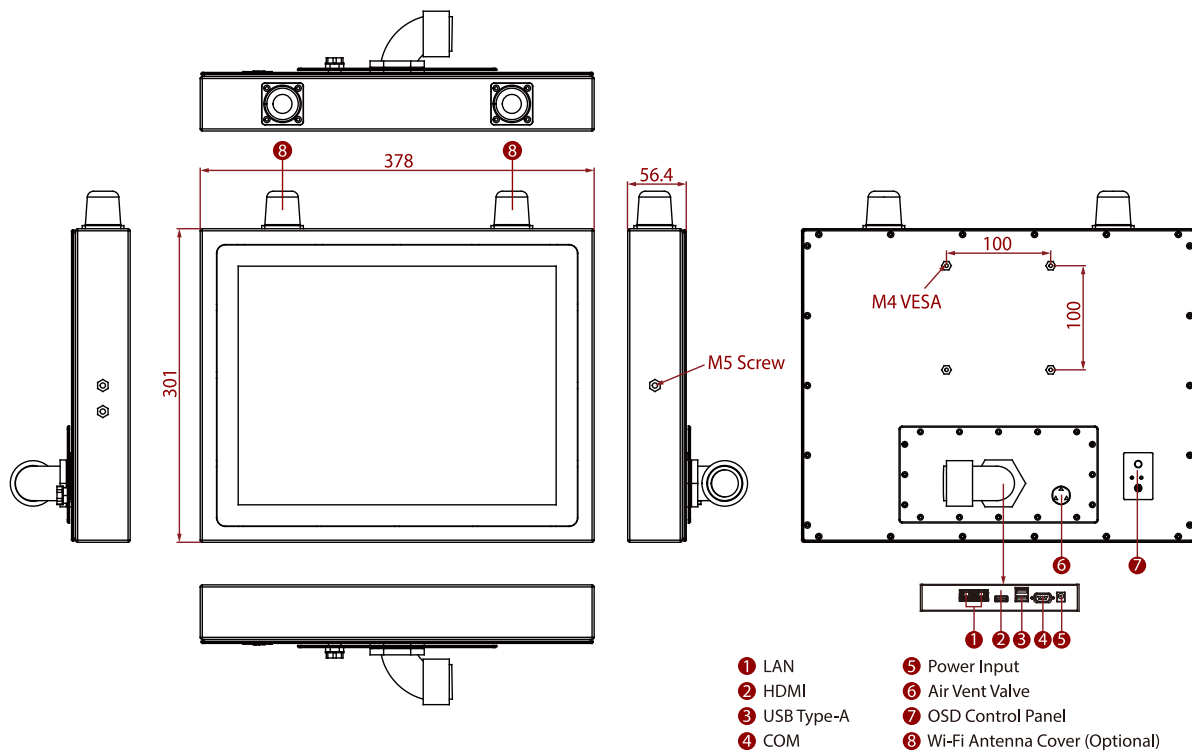
Optional Accessory 1 x Open wire cable for phoenix connector (Optional)
Yoke mount stand kit (Optional)

Power

Power Rating 12V DC input

DIMENSIONS UNIT:MM

Winmate R15IK3S-SPC369-P1



NOTE

1. The yoke mount stand kit is an optional accessory.
2. Wi-Fi antenna is an optional feature.
3. The product shown in this datasheet is a standard model. For diagrams that contain customized or optional I/O, please contact the Winmate Sales Team for more information.

Assured Systems

Assured Systems is a leading technology company with over 1,500 regular clients in 80 countries, deploying over 85,000 systems to a diverse customer base in 12 years of business. We offer high-quality and innovative rugged computing, display, networking and data collection solutions to the embedded, industrial, and digital-out-of-home market sectors.

US

sales@assured-systems.com

Sales: +1 347 719 4508
Support: +1 347 719 4508

1309 Coffeen Ave
Ste 1200
Sheridan
WY 82801
USA

EMEA

sales@assured-systems.com

Sales: +44 (0)1785 879 050
Support: +44 (0)1785 879 050

Unit A5 Douglas Park
Stone Business Park
Stone
ST15 0YJ
United Kingdom

VAT Number: 120 9546 28
Business Registration Number: 07699660