

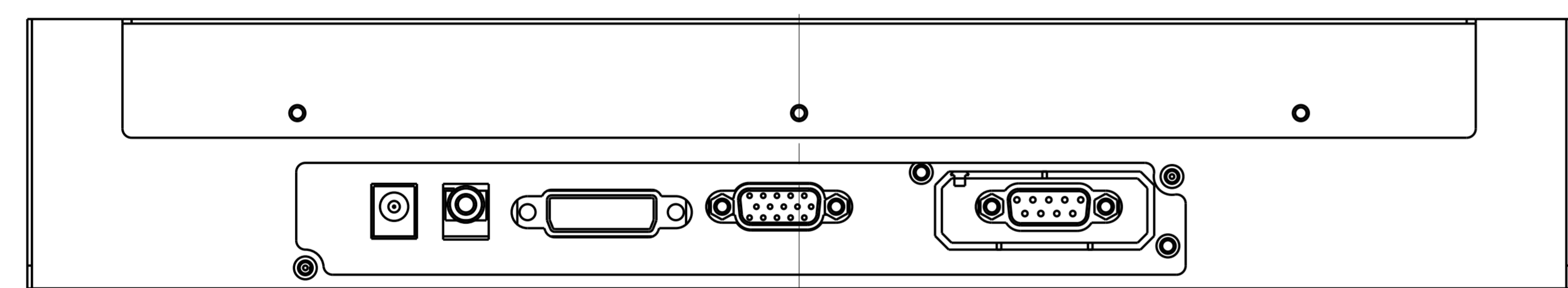
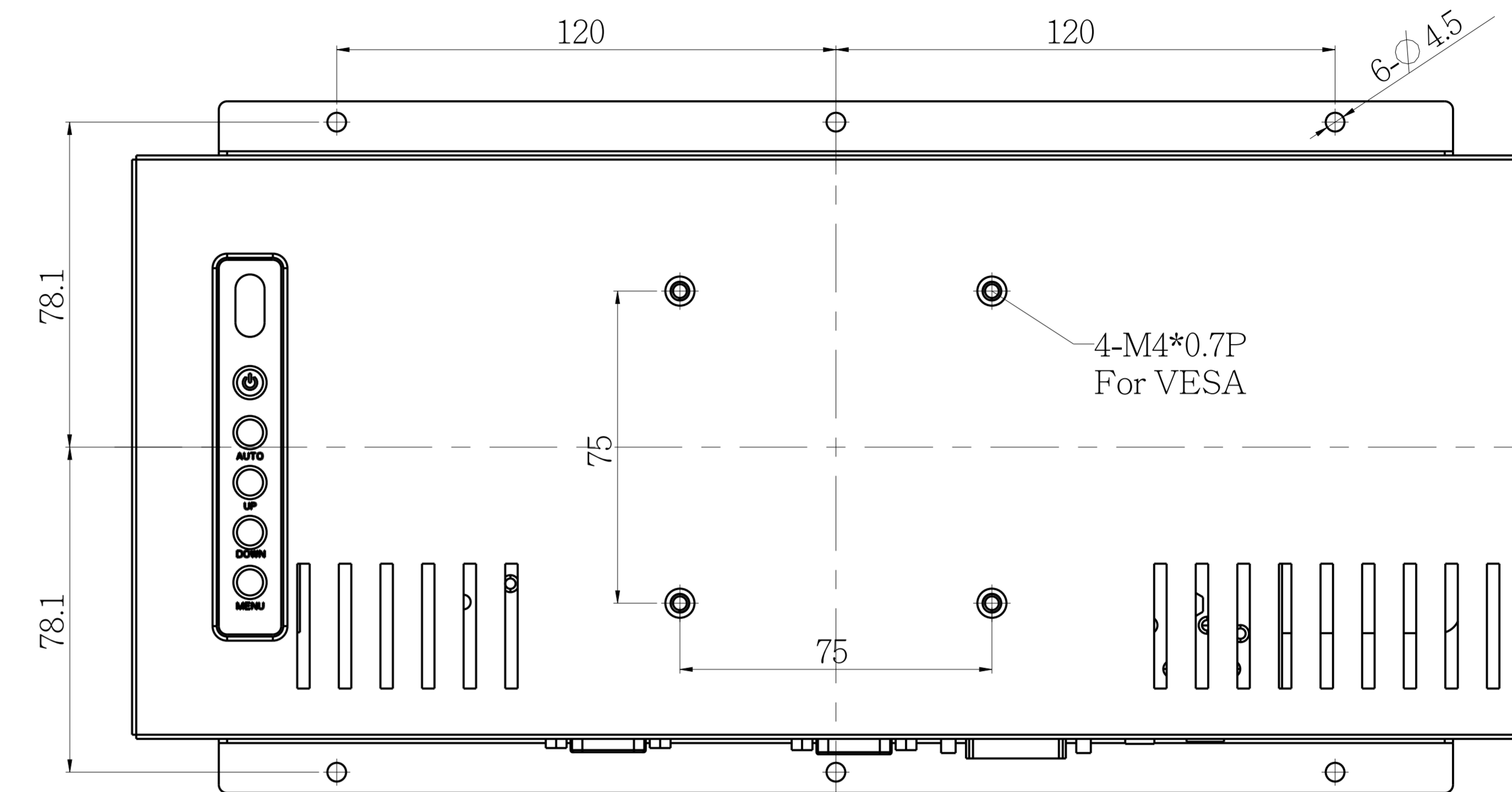
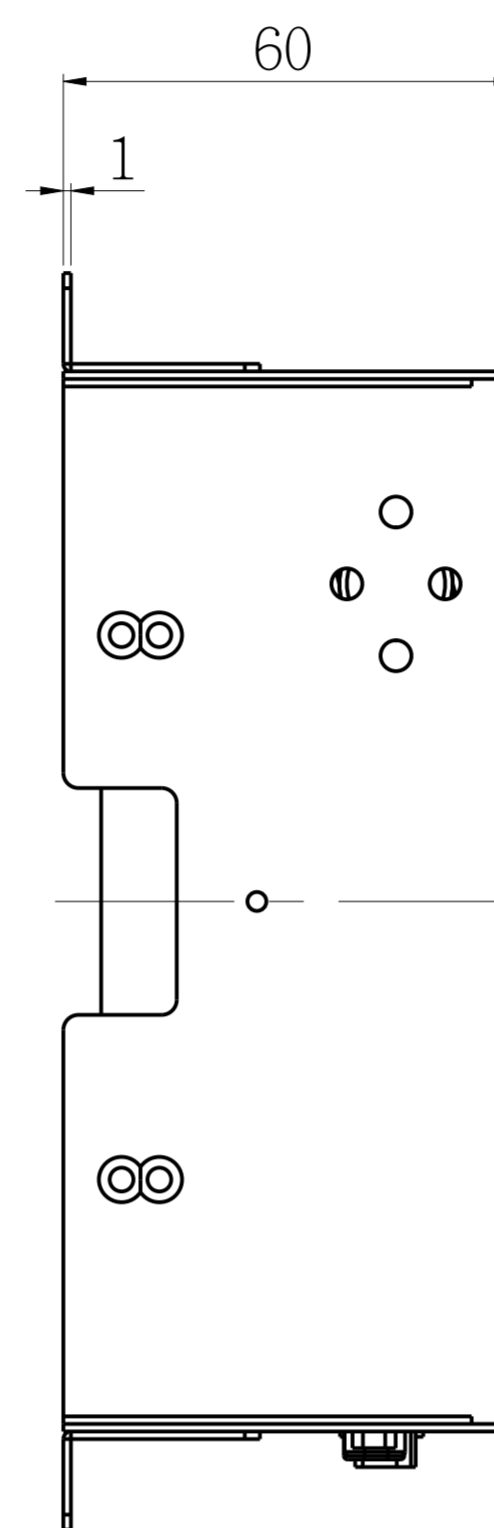
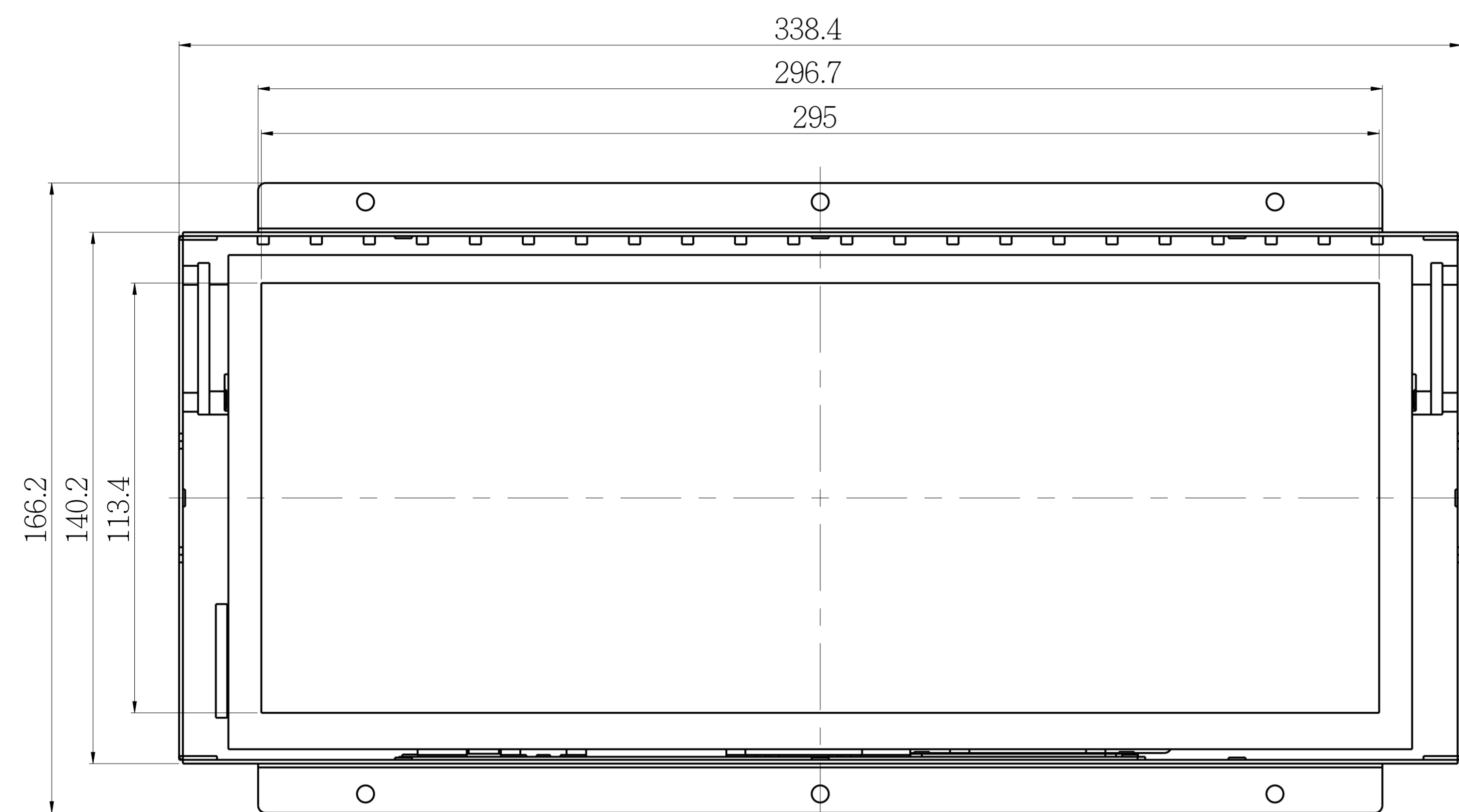
1 2 3 4 5

A A

B B

C C

D D



AD/BOARD		MODEL	OFX1237			泓瑜科技有限公司 WINSONIC TECH. CO., LTD.				
INVERTER										
KEY PAD										
PANEL:	VERSION	MATERIAL	METAL	DATE	2012-Jun-27	PART NAME	ASSEMBLY			
	V1					APPROVED	DRAWN	Chris	SCALE	1.000
									UNIT	MM

1 2 3 4 5