

1

2

3

4

5

A

A

B

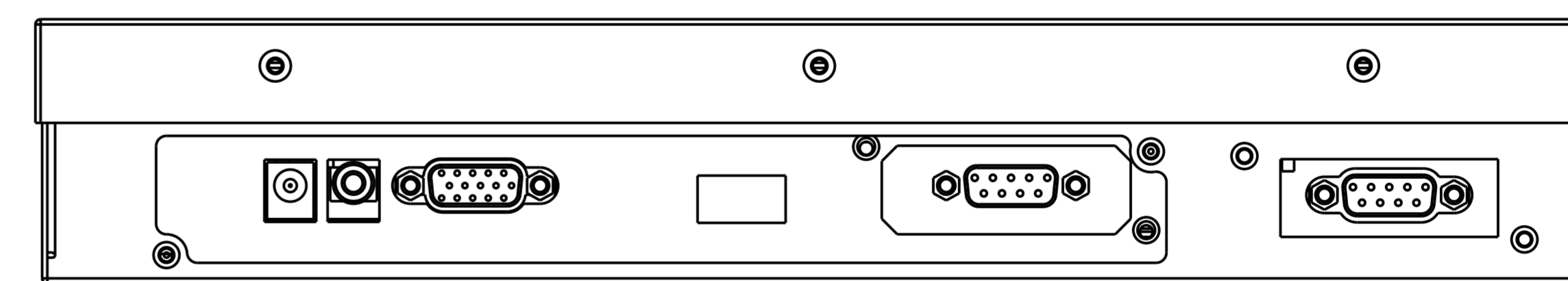
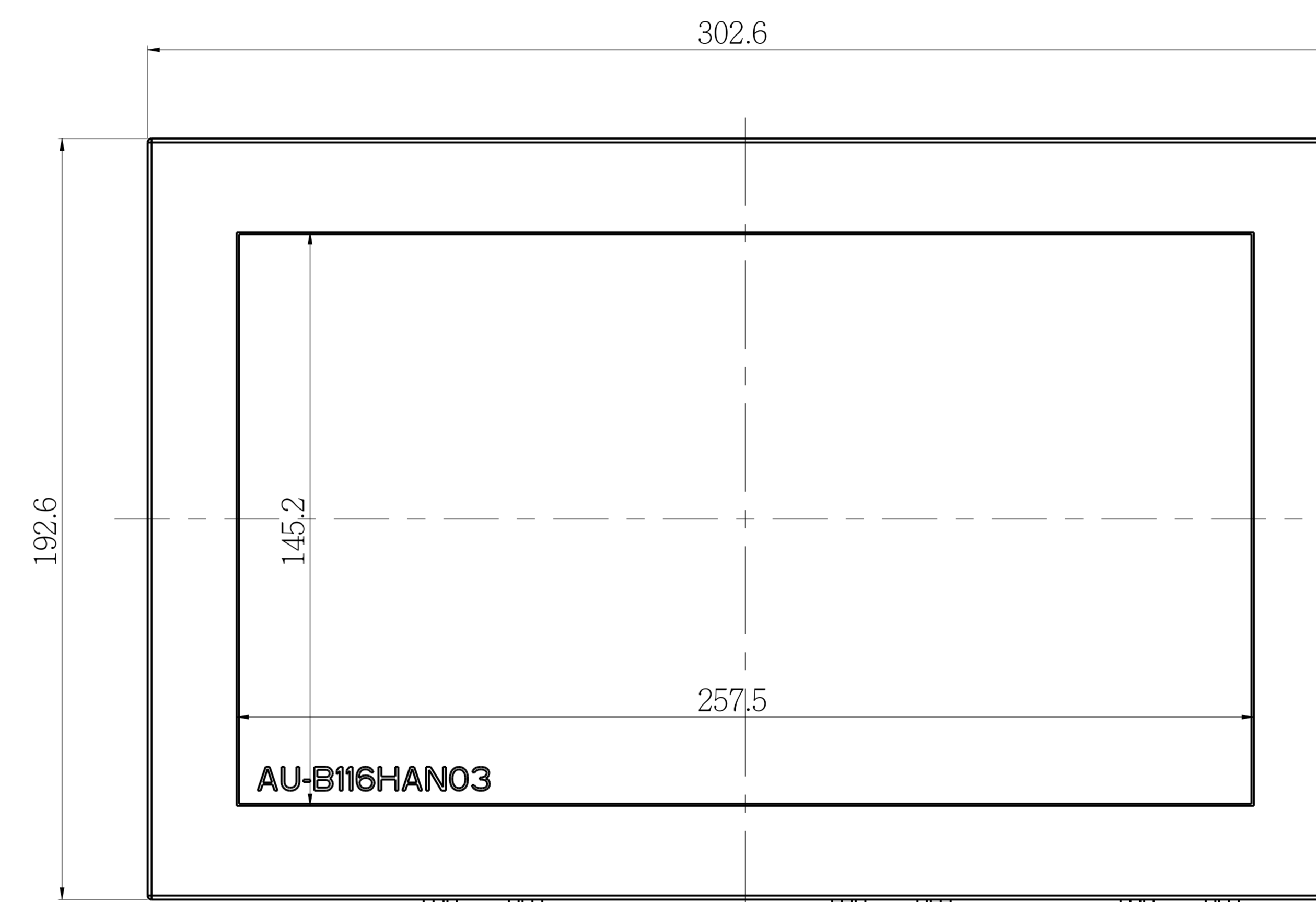
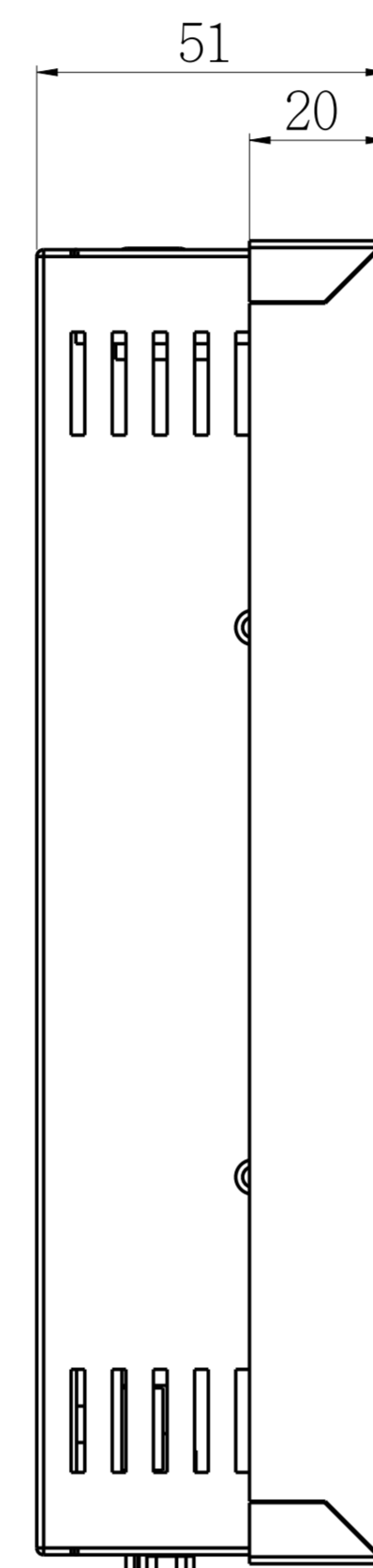
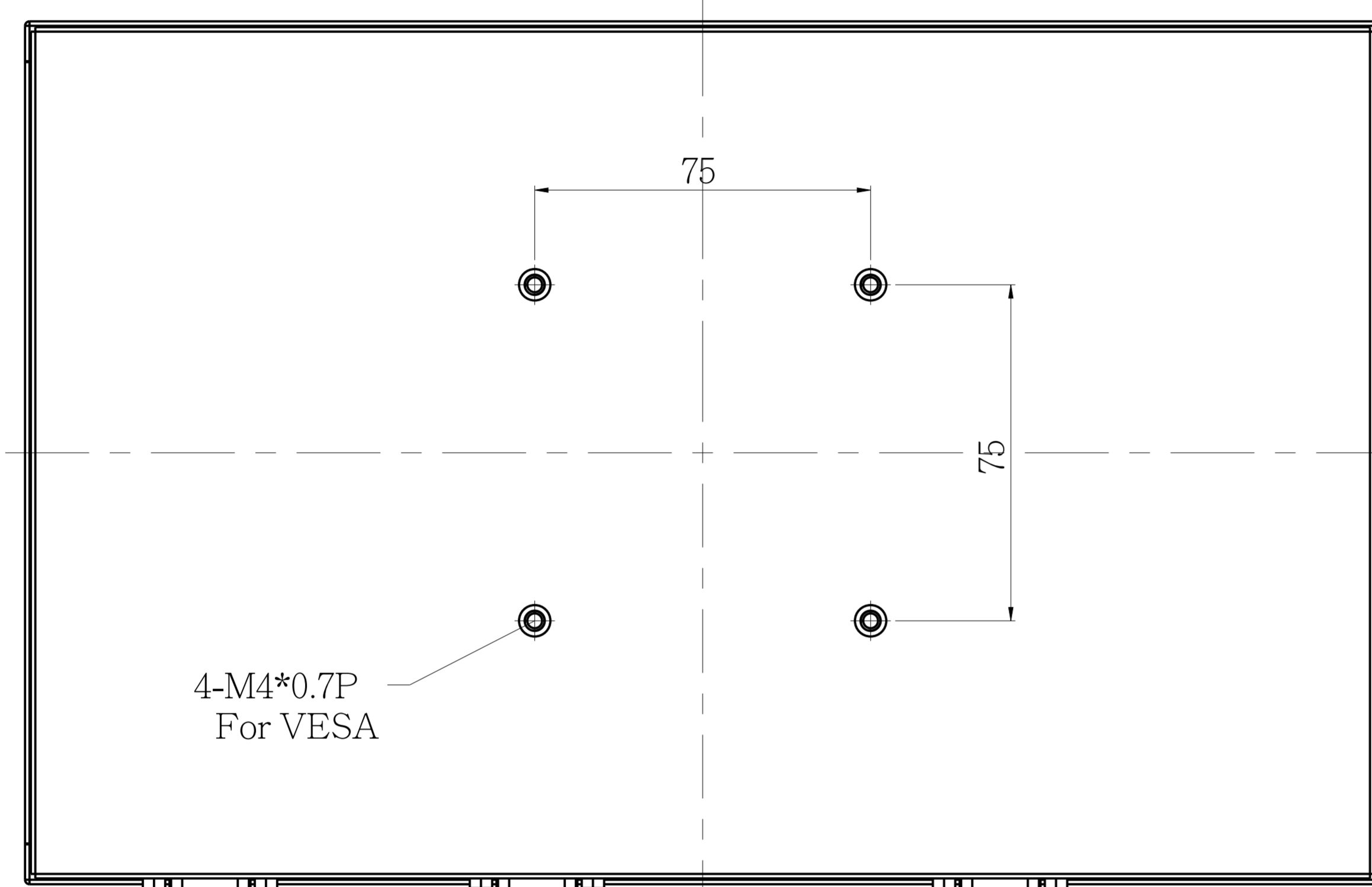
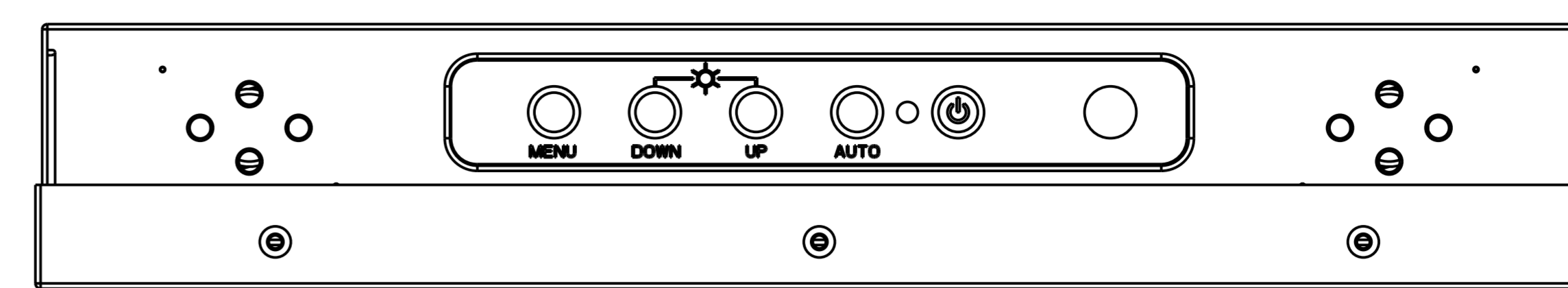
B

C

C

D

D



AD/BOARD		MODEL	CH1166				Winsonic Electronics. Co., Ltd.				
INVERTER											
KEY PAD											
PANEL:	VERSION	MATERIAL	METAL	DATE	2013-Apr-24	PART NAME	ASSEMBLY				
	V1					APPROVED	DRAWN	Jack	SCALE	1.000	
									UNIT	MM	

1

2

3

4

5