



SSD2906-Y V1

29" LCD, 1200 nits LED backlight, 1920 x 540 ultra-wide aspect ratio 16:4.5

The SSD2906-Y is a 29 inch color TFT-LCD display with special aspect ratio 16:4.5 and wide resolution 1920 x 540. It is Litemax's Spanpixel series product which designed for high brightness 1200 nits with power efficiency LED backlight. It provides LCD panel with specific aspect ratios and sunlight readable for digital signage, public transportation, exhibition hall, department store, and vending machine.

Key Features

- Ultra-Wide Screen (16 : 4.5)
- High Brightness 1200 nits
- Sunlight Readable
- LED Backlight
- LCD blacking defect free (Hi-Tni 110 °C)
- Low power consumption
- BL MTBF: 100,000 hours



Specifications

Model Name	SSD2906-Y V1
Description	29" LCD, 1200 nits LED backlight, 1920x540
Screen Size	29"
Display Area (mm)	705.6(H) x 198.45(V)
Brightness	1200 cd/m ²
Resolution	1920x540
Aspect Ratio	16 : 4.5
Contrast Ratio	5000 : 1
Pixel Pitch (mm)	0.3675(H) x 0.3675(V)
Pixel Per Inch (PPI)	69
Viewing Angle	178°(H),178°(V)
Color Saturation (NTSC)	83%
Display Colors	16.7M
Response Time (Typical)	16ms
Panel Interface	LVDS
Input Interface	VGA, DVI-D, DP
Input Power	DC12V
Power Consumption	42.5W
OSD Key	4 Keys (Power Switch, Menu, +, -)
OSD Control	Brightness, Color, Contrast, Auto Turing, H/V Position...etc
Dimensions (mm)	723.8x 229.2 x 60.1
Bezel Size(U/B/L/R)	13.4/13.4/7.1/7.1 mm
Weight (Net)	6.2 kg
Mounting	75x75, 400x75
Operating Temperature	0 °C ~ 50 °C
Storage Temperature	-20 °C ~ 65 °C

SSD= Panel+ LED Driving Board + AD Control Board + Chassis

Specifications are subject to change without notice.

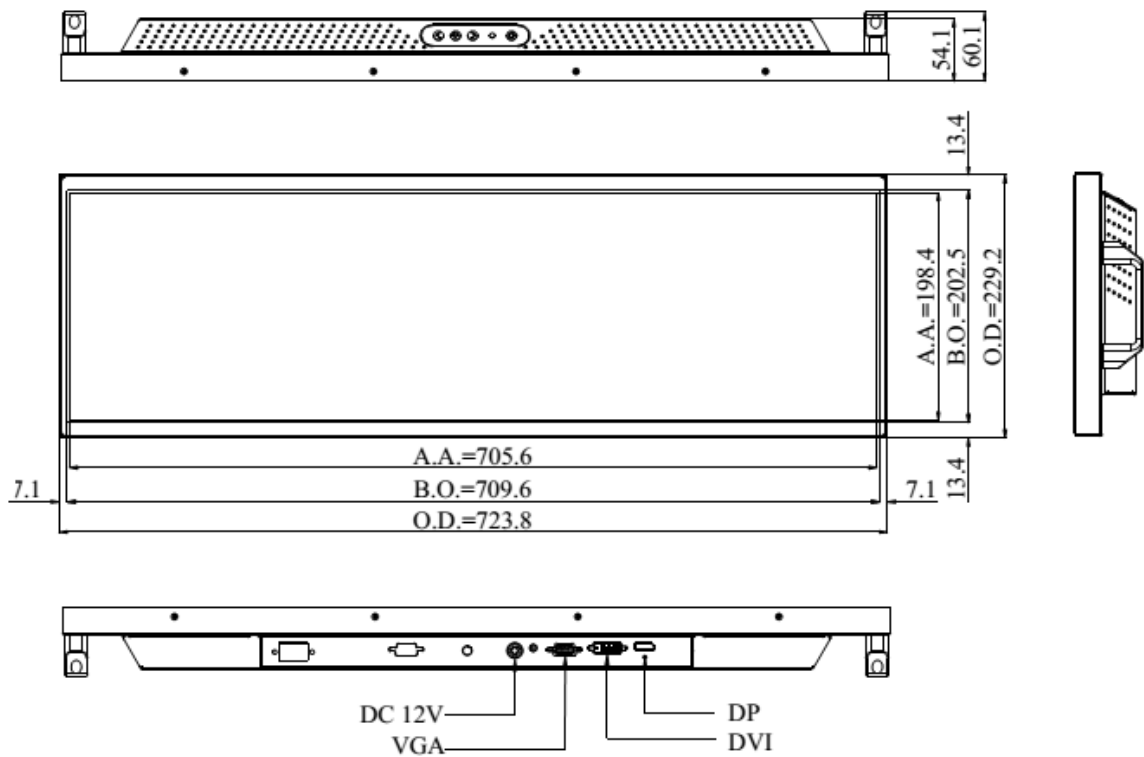
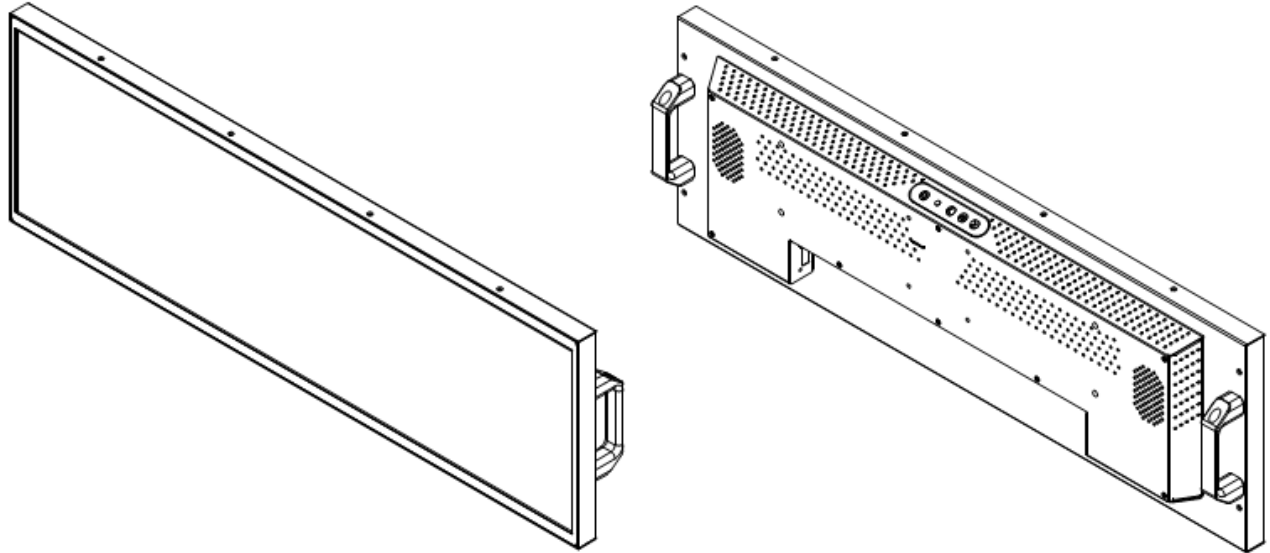
All brands or product names are trademarks or registered trademarks of their respective companies.

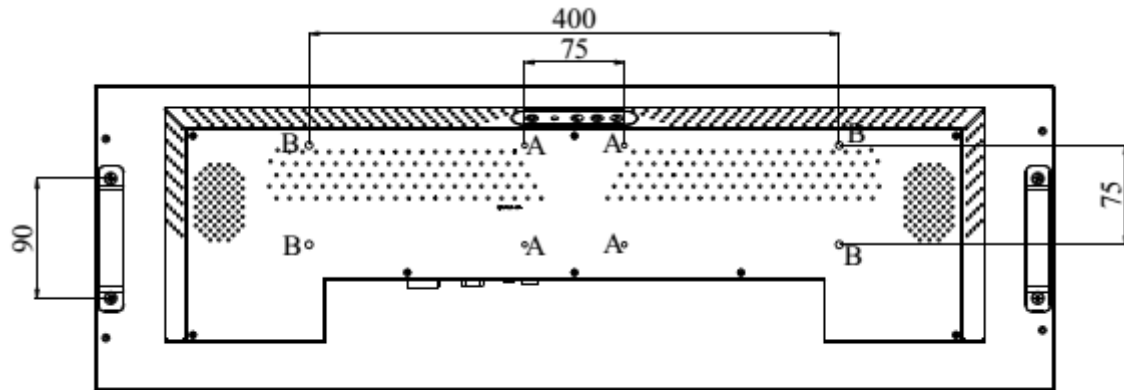


Mechanical Drawing

Outline Dimensions

Unit:mm





NOTE :

O.D. : OUTLINE DIMENSION(mm)

B.O. : BEZEL OPENING

A.A. : LCD ACTIVE AREA

A : 4-M4_VESA HOLE_Max Depth=5 mm

B : 4-M6_VESA HOLE_Max Depth=7 mm



Ordering Information

Part Number	Description
SSD2906-YNB-I01	29",1200nits,1920*540,LID29A,AD6038GDP,O/B,DC12V,3in1,V1

Optional Accessories

Part Number	Description
810618301010	CABLE.POWER.AC.1830mm USA type
810618301090	CABLE,POWER,AC,1830mm Europe type
810618301050	CABLE.POWER.AC.1830mm UK type
810618301170	CABLE.POWER,AC,1830mm Australia type
810618301031	CABLE.POWER.AC.1830mm Japan type

Customer request

Touch	PCT (Multi-Touch)
Glass	Tempered glass, AR coating.....