

## Introduction

**XF800** rugged vehicle monitor designed by Inelmatic Electronics, brings the possibility of outdoor usage by its IP67 chassis for harsh environment design and direct sunlight readability enhancements.

The XF800 includes a high featured controller with automatic and manual back-light adjustment, depending of the ambient light, which makes it suitable for applications from the darkest night (NVIS) to the bright sun light.

Besides, the XF800 optionally includes a resistive touch panel with USB/RS232 controller, adding interactivity for low budget projects. XF800 also includes a rugged PCT (Projected Capacitive Multi-touch) touch screen as option which is not only with higher light transmission but thicker glass, anti-vandal, and no recalibration is required. Industries such as Medical Equipment and Industrial Instrument are looking toward a product with no fragile to scratches and cleaning, or required continued calibration due to drift, were not transparent enough, and in some instances did not work with a gloved hand.

The XF1000 is available with VGA and Audio input as standard, optional DVI, Composite Video and S-Video inputs. All inputs are available as factory option on the rear panel. Optionally it includes "all in one cable", with a lockable connector(SCSI) or DSUB connector for an easy and quick installation.

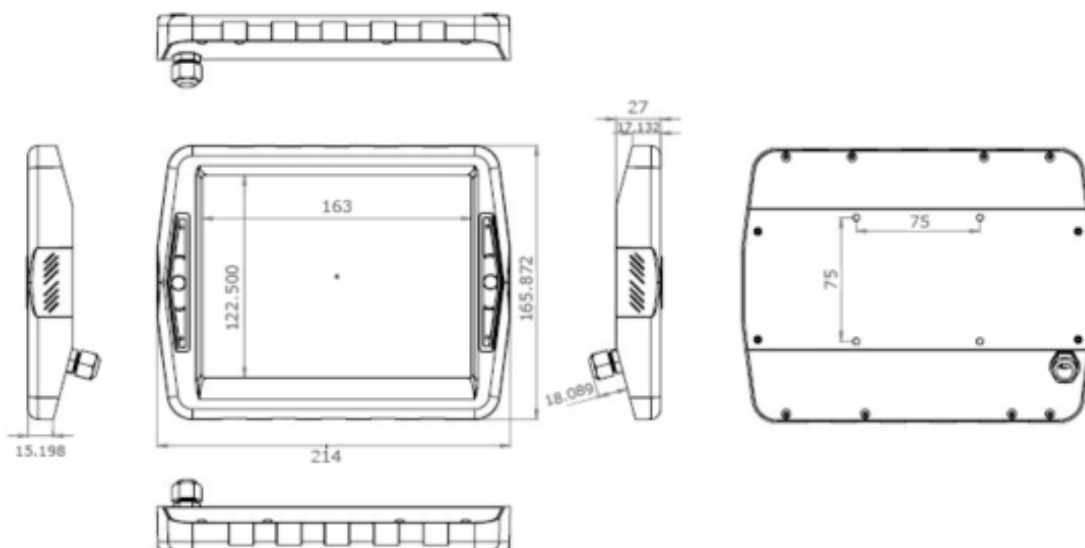


## Main features

- \* High brightness ultra-low power LED backlight.
- \* Sunlight readable.
- \* 10 steps backlight dimmer and autodimmer.
- \* Autopower on/off by VGA signal.
- \* True 800x600px input mode.
- \* One composite video input with autopower/autoswitch.
- \* All in one cable with IP67 connectors, 2.5m and 4.5m Length optional.
- \* Power 6-36V, meets automotive car/truck requirements.

- \* Ultra low power consumption.
- \* Wide temperature range.
- \* Shock/Vibration proof.
- \* Aluminium chassis.
- \* VESA 75mm mounting holes and stand alone mount accessories.
- \* IP67 optional.
- \* PCT (Projected Capacitive Multi-touch) optional.
- \* Customization available for small qty.

## Drawing



## Specifications

Size	8 Inches
Aspect	4:3
Inputs	VGA/DVI/HDMI, 2 x Composite Video (3 x Composite Video optional)
Audio	2 x 1W
Touch Panel	Resistive 4 wires USB/RS232, Endurance>2M touch. PCT multi-Touch optional
Power supply	6-36VDC automotive car/truck suitable
Power consumption	Normal 6W, HB 8W
Mounting	Stand alone and headrest accesories optional
Warranty	12 months international, 24 months Europe
Certification	CE, e-mark*, EN50155*, CCC*

## Mechanical and enviromental specs

Dimensions	214 x 165.9 x 27 mm
Weight	900gr
Enclosure	Aluminium chassis/rear. PVC-ABS front.
Operation temperature	-35°C to 70°C max (-20°C to 60°C continuous)
Storage temperature	-40°C to 85°C
Vibrations	1G 2-500Hz
Shock	20G 11ms
Drop	10cm max
Mounting	VESA 75mm mounting holes, Stand alone and headrest accesories.

## Optical specifications

Brightness	300/500/1000nits
Contrast	500:1
Colors	16M
Native resolution	800x600px
Outdoor readability	Meets MIL-STD-3009 (sunlight readable version XF800HB-US/RS/UPS)
NVIS	Optional NVIS B compliant

## ORDER INFORMATION

Code and Options: XF800HB-X Y V A C

High Brightness	.....	:	:	:	:	
X - Touch Screen Option		:	:	:	:	C - Cable Option
Resistive touch		:	:	:	:	2: 2.5 meters
U: USB		:	:	:	:	4: 4.5 meters
R: RS232	.....	:	:	:	:	C: Custom Cable
PCT touch		:	:	:	:	A - Audio Option
UP: PCT touch		:	:	:	:	N:W/O Audio
PM: Multi-touch PCT		:	:	:	:	A: Stereo Audio
N: Non-touch		:	:	:	:	V - Video Option
Y - Usage Option	.....	:	:	:	:	V: Video Input
N: Normal		:	:	:	:	N: W/O Video
D: Day Light readable		:	:	:	:	D: DVI Input
S: Sun Light readable		:	:	:	:	

Example: XF800HB-UPSVA2 PCT Touch Panel, Sun Light readable, Video, Stereo Audio with 2.5 meters length cable.