

**Introduction**



**XF700** series by Inelmatic Electronics, brings the possibility of minimize the needed space for any computer application which demands a display. It's the perfect the Human Machine Interface (HMI) for restricted space and harsh environments, like personal vehicles, public transportation vehicles and any other situation where the dimensions and image quality is important, even under strong ambient light or direct sunlight.

It includes a video scaler chipset supporting standard VESA from 640 x 480px upto 1920x1440px

including the native resolution 800x480px for a perfect pixel-match on the most demanding image accuracy.

The Optional touch panel with USB or RS232 interface adds an efficient human interface which brings full interactivity and high reliability.

In addition, the XF700 includes the latest generation of LED backlight with passive enhancement, to achieve a high brightness keeping the lowest power consumption. Besides, the manual and automatic dimmer bring the possibility of match the brightness to the ambient light, it makes the display able to work from darkest conditions without disturb the driver's visibility, upto high brightness for the strongest light environments.

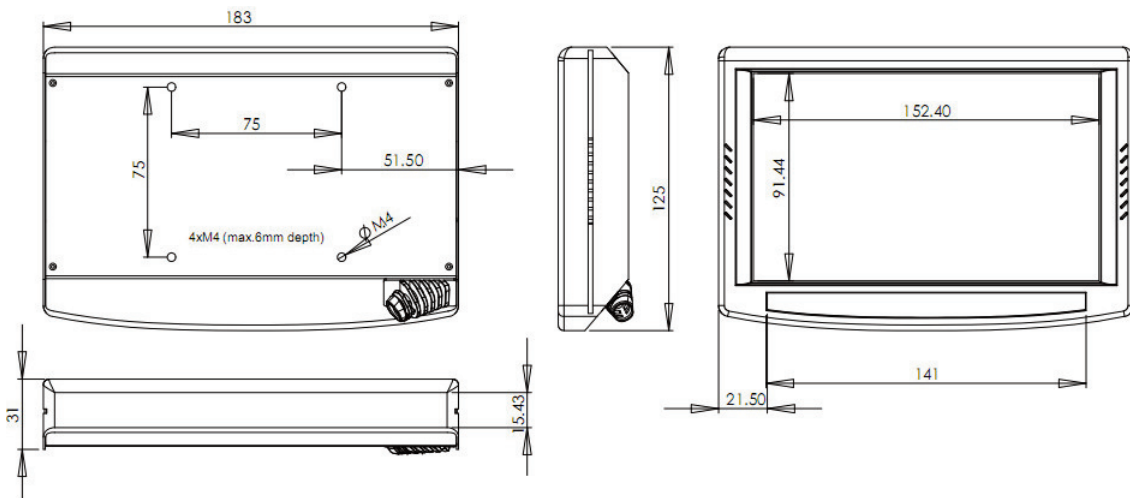


-XF700HB-US Under Sunlight -

**Main features**

- \* High brightness ultra-low power LED backlight.
- \* Sun-readable.
- \* 4 Steps backlight dimmer and autodimmer, user programmable.
- \* Autopower on/off by VGA signal.
- \* True 800x480px input mode.
- \* Two composite video inputs.
- \* One composite video input with autopower / autoswitch.
- \* All in one cable, 2.5m and 4.5m length options.
- \* Power 6-32V, meets automotive car/truck requirements.
- \* Ultra low power consumption.
- \* Wide temperature range.
- \* Shock/Vibration proof.
- \* Aluminium chassis.
- \* VESA 75mm mounting holes and stand alone mount accesories.
- \* Customization available for small qty.

**Drawing**



## Specifications

Size	7 inches
Aspect	16:9
Inputs	VGA / DVI / HDMI, 3 x Composite Video
Audio	2 x 1W
Touch Panel	Resistive 4 wires USB/RS232. Endurance >2M touch.
Power supply	6-32VDC automotive car/truck suitable.
Power consumption	6W
Mounting	Stand alone and headrest accesories.
Warranty	12 months international, 24 months Europe.
Certification	CE, e-Mark, EN50155

## Mechanical and environmental specs

Dimensions	183x125x31mm
Weight	700gr
Enclosure	Aluminium chasis/rear. PVC-ABS front.
Operation temperature.	-35°C to 85°C max (-20°C to 60°C continuous)
Storage temperature.	-35°C a 85°C
Vibrations	1G 2-500Hz
Shock	20G 11ms
Drop	10cm max.
Mounting	VESA 75mm mounting holes, Stand alone and headrest accesories.

## Optical specifications

Brightness	600 nits, Backlight Lifetime: 50.000h
Contrast	500:1
Angle	140° H, 110° V
Native resolution	800x480px
Outdoor readability	Meets <b>MIL-STD-3009</b> (sunlight readable version XF700HB-US/RS)
NVIS	Optional NVIS B compliant

## ORDER INFORMATION

### Code and Options:

XF700HB-X Y V A C - NB

HB: High Brightness 600nits  
Empty: 400nits

X - Touch Screen Option  
U : USB  
R : RS232  
N : W/O Touch Panel

Y - Usage Option  
N : Normal  
D : Day Light Readable  
S : Sun Light Readable

NB: non bonded option for sunlight/daylight readable versions

C - Cable Option  
2 : 2.5 meters  
4 : 4.5 meters  
C : Custom Cable

A - Audio Option  
N : W/O Audio  
A : Stereo Audio

V - Video Option  
V : Video Input  
N : W/O Video

Example: XF700HB-USVA2 USB Touch Panel, Sunlight readable ,Video, Stereo Audio with 2.5 meters lenght cable.