

tBOX313-835-FL

Fanless Embedded System with Intel® Atom™ Processor E3845 Quad Core™ (1.91 GHz) for Vehicle PC



▲ Front view

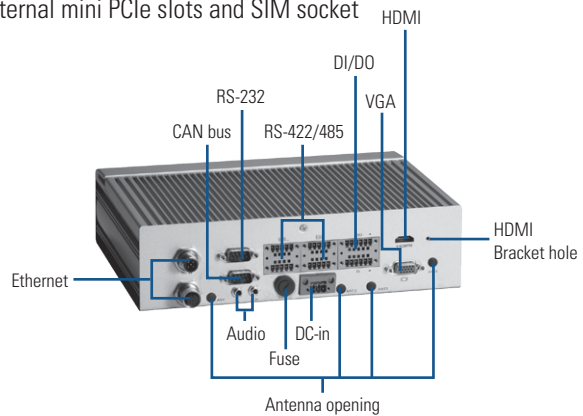


Specifications

Standard Color	Silver-Black				
Construction	Aluminum extrusion and heavy-duty steel				
CPU	Intel® Atom™ processor E3845 (4C@1.91GHz)				
System Memory	DDR3L-1333, 4 GB memory onboard				
Chipset	SoC integrated				
BIOS	AMI				
System I/O Outlet	<table border="0"> <tr> <td>Rear Side</td> <td> 2 x GbE LAN (M12 D-coded) (RJ-45, PoE is optional) 4 x isolated RS-422/485 1 x RS-232 1 x isolated DI/DO (6-in/2-out) 1 x isolated CAN Bus 2 x audio (mic-in/line-out, screw type) 1 x VGA 1 x HDMI 1 x HDMI bracket hole 1 x VDC power input 1 x fuse 4 x antenna opening </td> </tr> <tr> <td>Front Side</td> <td> 2 x USB 2.0 2 x audio (mic-in/line-out, screw type) 1 x reset switch 1 x remote power switch 1 x 2.5" SATA drive tray 1 x CFAST™ slot + 2x SIM card sockets </td> </tr> </table>	Rear Side	2 x GbE LAN (M12 D-coded) (RJ-45, PoE is optional) 4 x isolated RS-422/485 1 x RS-232 1 x isolated DI/DO (6-in/2-out) 1 x isolated CAN Bus 2 x audio (mic-in/line-out, screw type) 1 x VGA 1 x HDMI 1 x HDMI bracket hole 1 x VDC power input 1 x fuse 4 x antenna opening	Front Side	2 x USB 2.0 2 x audio (mic-in/line-out, screw type) 1 x reset switch 1 x remote power switch 1 x 2.5" SATA drive tray 1 x CFAST™ slot + 2x SIM card sockets
Rear Side	2 x GbE LAN (M12 D-coded) (RJ-45, PoE is optional) 4 x isolated RS-422/485 1 x RS-232 1 x isolated DI/DO (6-in/2-out) 1 x isolated CAN Bus 2 x audio (mic-in/line-out, screw type) 1 x VGA 1 x HDMI 1 x HDMI bracket hole 1 x VDC power input 1 x fuse 4 x antenna opening				
Front Side	2 x USB 2.0 2 x audio (mic-in/line-out, screw type) 1 x reset switch 1 x remote power switch 1 x 2.5" SATA drive tray 1 x CFAST™ slot + 2x SIM card sockets				
Instant Fuse Repair	Current Rating 15A, Voltage Rating: 125V				
Watchdog Timer	255 levels, 0 ~ 255 seconds/minutes				
Storage	1 x 2.5" SATA HDD (Suspension designed, HDD height support 7/9.5/12.5/15mm) 1 x CFAST™ (front accessible)				
Expansion Interface	3 x PCI Express Mini Card with 2 x SIM card slot (Two front accessible) 1x PCIe mini card supports mSATA				
System Indicator	1 x green LED for HDD active 1 x yellow LED for LAN1 active 1 x yellow LED for LAN2 active 1 x red LED for power				

Features

- eMark, ISO7637 certificated, EN45545-2 complied
- Intel® Atom™ Bay Trail-I E3845 4C@1.91GHz
- High performance DDR-1333 4 GB memory onboard
- Fanless operation with IP40
- Operating temperature range of -40°C ~ +70°C
- Isolated RS-422/485, CANbus 2.0A/B and DIO ports
- Support USB 2.0 and SATA2
- Suspension one 2.5" SATA HDD and 1 CFAST™ socket
- Instant fuse repair design
- Internal mini PCIe slots and SIM socket



▲ Rear view

Power Supply	Power input : Typical 12/24vdc (9 ~ 36 Vdc)
Operating Temperature	-40°C ~ +70°C (-40°F ~ +158°F) with W/T SSD -25°C ~ +55°C (-13°F ~ +131°F) with W/T HDD
Storage Temperature	-40°C ~ +80°C (-40°F ~ +176°F)
Humidity	5% ~ 95%, non-condensing
Vibration Endurance	3 Grms with SSD & CFAST™ (5-500Hz, X, Y, Z direction; Random) (IEC60068-2-34) 2 Grms with HDD (5-500Hz, X, Y, Z direction; Random) (IEC60068-2-34), MIL-STD-810G, Method 514.6, Category 4 & 11 & 20, ISO16750 (Vehicle body)
Shock	50G w/SSD/CFAST™ (operating), MIL-STD-810G, Method 516.6, procedure I, peak 20g 11ms
Dimensions	244 mm (9.6") (W) x 180.5 mm (7.1") (D) x 65.1 mm (2.56") (H)
Weight (net/gross)	TBD
Certificate	CE, eMark, ISO 7637, EN45545-2 compliance
EOS support	WES7/8, Compac2013, Linux

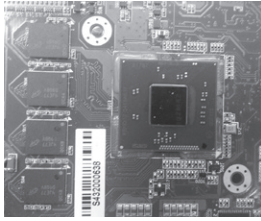
Ordering Information

Standard	
tBOX313-835-FL-DC	Fanless embedded system with Intel® Atom™ processor E3845 (1.91 GHz) for vehicle PC, 4GB DDR3L-1333, 2 Gigabit LAN, 1 RS-232, 4 isolated RS-422/485, 1 CAN Bus

- Optional**
- 2.5" SATA HDD/SSD
 - CFAST™
 - 3G module
 - Wi-Fi module
 - Wi-Fi & bluetooth
 - GPS module

*Specifications and certifications are based on options and may vary.

Expansion & Installation



On board Intel® Atom™ Bay Trail-I E3845, 4C@ 1.91GHz processor and 4GB DDR3L-1333 DRAM



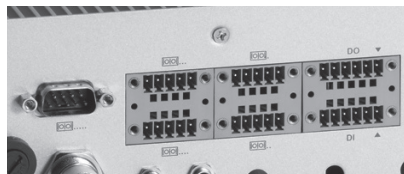
Removable CFast™, SIM slot and suspension 2.5" SATA HDD/SSD



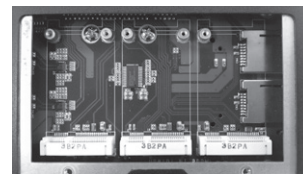
M12 railway power input and two Gigabit LAN connector



HDMI and VGA display



Isolated RS-422/485 and DIO ports



3 x Mini Card with 2 x SIM slot

Packing List

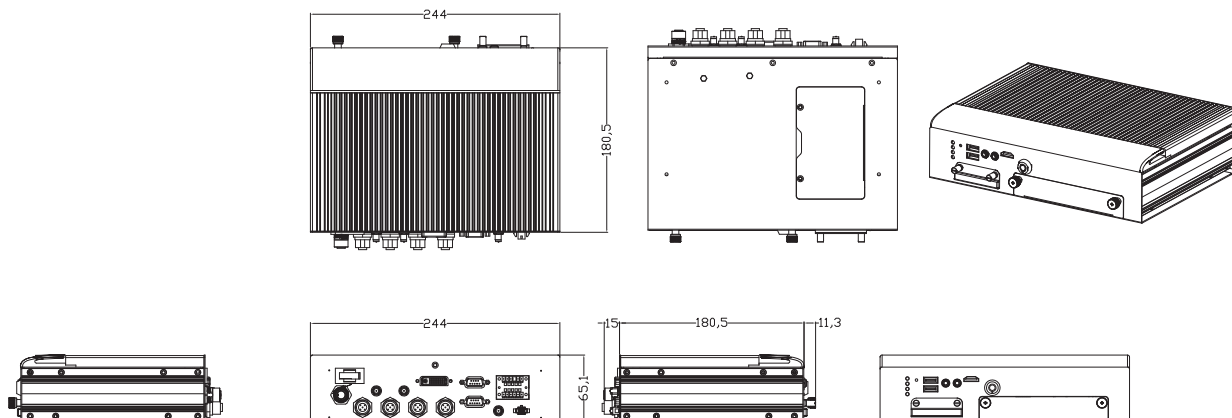
- 1 x quick manual
- 1 x driver CD
- 1 x screw pack
- 4 x foot pad
- 1 x wall-mount kit

Power Protection

DC Version

- SCP (short circuit protection)
- OVP (over voltage protection)
- UVP (under voltage protection)
- ISO7637 pulse 1/2/9/39/3b/4/5a
- Battery protection setting: Low voltage, Very low voltage
- Ignition control setting: Low voltage counter, ACC-ON delay, Shut down delay

Dimensions



Overview

Embedded Systems

2 Embedded Systems for Transportation

Embedded Field Controllers

Industrial Firewall

Embedded MicroBoxes

Industrial Barebone Systems

Industrial Chassis

Backplanes

Power Supplies

Peripherals & Accessories

