

18.5" Fanless Multi-touch Panel PC with Intel® Celeron® J1900 Processor



Features

- 18.5" HD LED Panel with Projected Capacitive Touch Display
- Intel® Celeron® Processor J1900
- Two-finger Touch Control while Wearing Gloves
- Completely Flat Front Design
- Panel and VESA Mounting

Applications

- Food Industry Management System
- Animal Feed Production Facility
- Signage, Kiosk, Dashboard
- Machine Automation

→ Packing List

Description
1 x PPC-182
1 x Driver CD
1 x Power Adapter
9 x Panel Mounting Screws

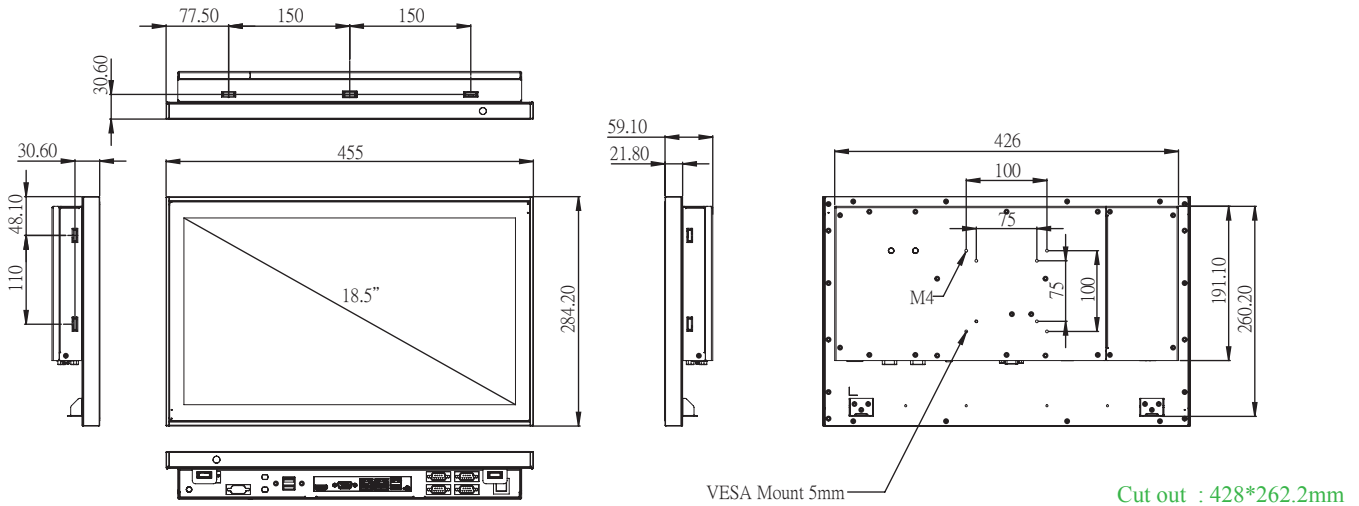
→ Optional Items

Part No.	Description
AWD-WF001	Wi-Fi 802.11 bgn (1T1R) + 1 Antenna, Half-size
AWD-WF002	Wi-Fi 802.11 bgn/BT4.0 (1T1R) Module + 1 Antenna (Dual band), Half-size
AWD-WF003	Wi-Fi 802.11 abgn/ac/BT4.0 (2T2R) Module + 2 Antennas (Dual band), Half-size
ACS-100-STD	VESA Table Stand

→ Ordering Information

Part No.	Description
PPC-182P-A1	18.5" Fanless Projected Capacitive Touch Panel PC with Intel® Celeron® J1900 2.0 GHz Processor

→ Dimensions



→ Specifications

Model		PPC-182P
Processor System	CPU	Intel® Celeron® Processor J1900
	Frequency	Quad-Core up to 2.0 GHz
	L2 Cache	2 MB
	System Chipset	N/A
Memory	BIOS	UEFI
	Technology	DDR3L 1333 MHz SDRAM
	Max. Capacity	8 GB
	Socket	1 (204-pin SO-DIMM)
Display	Panel Size	18.5" LED Panel
	Resolution	1366 x 768 (HD)
	Viewing Angle	85 x 85 (H) x 80 x 80 (V)
	Brightness	250 (cd/m ²)
	Color Support	16.7M
	Contrast Ratio	1000:1
	Response Time	5 (msec)
	HDMI	HDMI 1.4a up to 1920 x 1200
Touchscreen	Dual Display	LCD + VGA or LCD + HDMI
	Type	Projected Capacitive
	Surface Hardness	7 Mohs
I/O Interface	Transparency	90% (±3%)
	USB	4 USB 3.0
	Serial Port	4 COM (3 RS-232, 1 RS-232/422/485)
	Digital I/O	Optional: 8-pin Digital I/O (DB-9 connector)
Ethernet	Expansion	2 Mini PCIe (1 full-size Mini PCIe or mSATA, selected by jumper setting; 1 half-size Mini PCIe)
	Controller	Dual GbE, 10/100/1000 Mbps (Realtek RTL8111G-CG)
Audio	Chipset	Realtek ALC662 High Definition Audio (HD)
	Connector	Line out
Storage	mSATA	Supports either mSATA or full-size Mini PCIe, selected by jumper setting
	SATA II	1 2.5" HDD/SSD
Power	Power Supply Voltage	9-36 V DC input
	Connetor Type	2-Pin Terminal Block, Pheonix Connector
	Power Consumption (Typical)	1.6 A @ 12 V (19.2 W)
	Power Consumption (Max)	2.75 A @ 12 V (33 W)
Environment	Battery	Lithium 3 V / 210 mA/H
	Operating Temperature	0~50° C (32~122° F) w/ 2.5" SSD
	Storage Temperature	-40~85° C (-40~185° F)
	Vibration	5-500 Hz, 0.026 G ² /Hz, 2.16 Grms, X, Y, Z, 1 hour per axis
General	Certification	CE, FCC Class A
	Ingress Protection	IP54
	Dimensions (L x W x H)	455 x 284.2 x 59.1 mm (17.91" x 11.19" x 2.32")
	Weight	5.69 kg (12.52 lb)
Operating System	Windows 7/8, WS7E/P, WE8S	