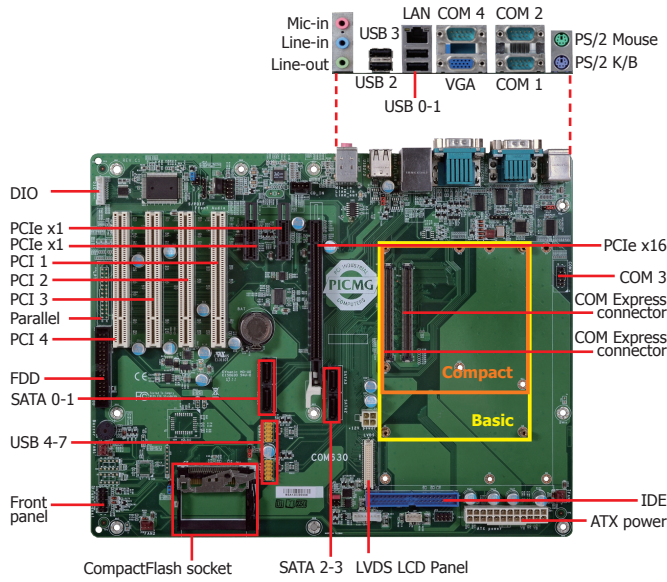




# COM Express Carrier Board

## COM630-B



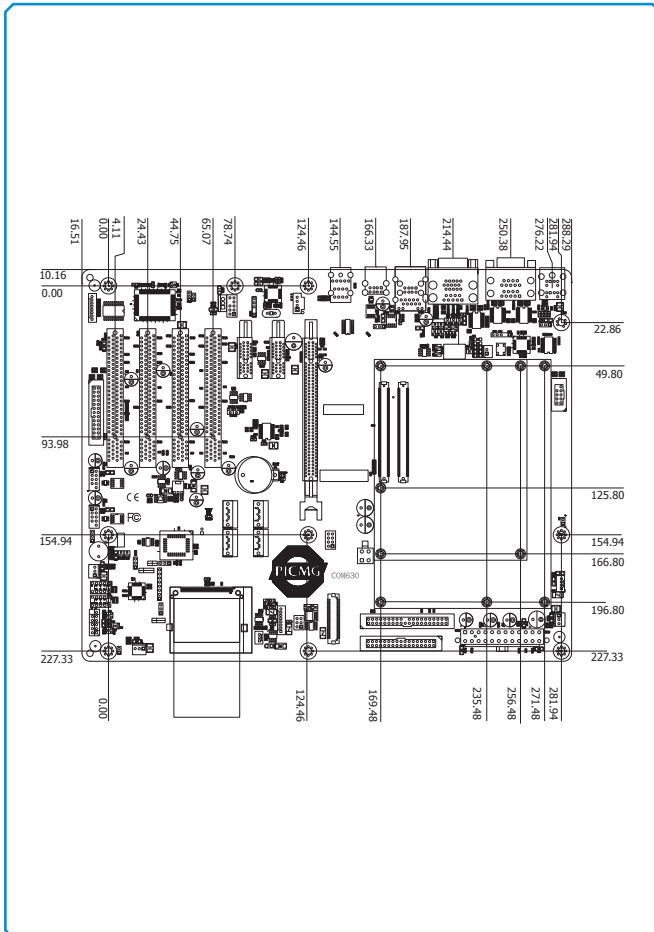
### Features

|                 |                              |
|-----------------|------------------------------|
| EXPANSION       | 1 PCIe x16, 2 PCIe x1, 4 PCI |
| DISPLAY OUTPUTS | 1 VGA, 1 LVDS                |
| LAN             | 1 LAN                        |
| COM             | 4 COM                        |
| USB             | 8 USB 2.0                    |
| PARALLEL        | 1 Parallel                   |
| STORAGE         | 4 SATA 2.0                   |
|                 | 1 CF                         |
|                 | 1 IDE                        |
|                 | 1 FDD                        |
| DIO             | 8-bit DIO                    |
| DIMENSIONS      | 305mm x 244mm (12" x 9.6")   |

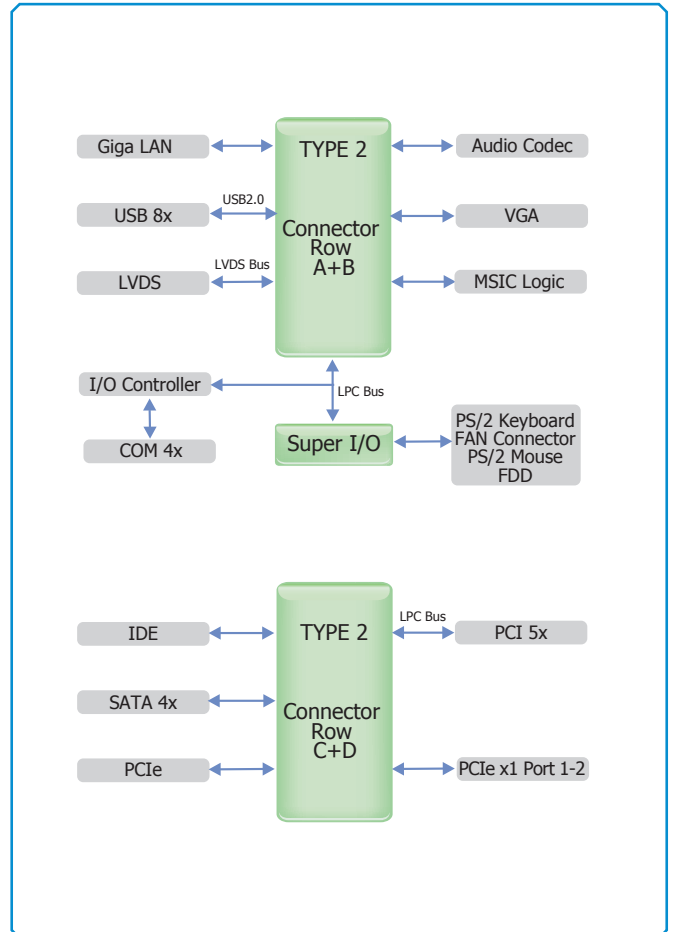
Supports Compact and Basic modules



### Mechanical Drawing



### Block Diagram



## COM630-B

## ► Specifications \* Optional and is not supported in standard model. Please contact your sales representative for more information.

### AUDIO FEATURES

- Realtek ALC262 audio codec (ALC655\*)
- 6-channel audio output

### SERIAL ATA FEATURES

- SATA speed up to 3Gb/s
- Four SATA ports

### IDE FEATURES

- Supports up to Ultra ATA 100
- One IDE channel supports up to 2 IDE devices

### BIOS FEATURES\*

- FWH/LPC interface
- Supports up to 4Mbit flash ROM
- PLCC32 socket
- Supports WP# jumper
- Carrier board ROM enable/disable function supported

### I/O CHIP 1 FEATURES

- Winbond 83627HG-AW controller
- LPC interface
- Supports Smart fan
- Default I/O port address "2eh"

### I/O CHIP 2 FEATURES

- Fintek F81216D controller
- LPC interface
- Supports 4 COM ports
- Supports IrDA
- Watchdog timer function
- Default I/O port address "4eh"

### EXPANSION SLOTS

- 1 CompactFlash socket
- 1 PCI Express x16 (Graphics or Dual SDVO)
- 2 PCI Express x1
- 4 PCI slots (PCI 2.3, 32-bit, 33MHz)

### REAR PANEL I/O PORTS

- 1 mini-DIN-6 PS/2 mouse port
- 1 mini-DIN-6 PS/2 keyboard port
- 3 DB-9 serial ports
- 1 DB-15 VGA port
- 1 RJ45 LAN port
- 4 USB 2.0/1.1 ports
- Mic-in, line-in and line-out

### I/O CONNECTORS

- 2 connectors for 4 additional external USB 2.0/1.1 ports
- 1 connector for an external serial port
- 1 LVDS LCD panel connector
- 1 LCD/inverter power connector
- 1 Digital I/O connector
- 1 Digital I/O power connector
- 1 front audio connector for line-out and mic-in jacks
- 1 CD-in internal audio connector
- 1 S/PDIF-in/out connector
- 1 GPIO connector
- 1 connector for IrDA interface
- 4 Serial ATA connectors
- 1 40-pin IDE connector
- 1 FDD connector
- 1 parallel connector\*
- 1 24-pin ATX power connector
- 1 4-pin 12V power connector
- 1 Wake-On-Ring connector
- 1 chassis open connector
- 1 front panel connector
- 3 fan connectors
- 1 diagnostic LED\*

### DAMAGE FREE INTELLIGENCE

- Monitors system temperature and overheat alarm
- Monitors system fan speed and failure alarm

### TEMPERATURE

- Operating: 0°C to 60°C
- Storage: -20°C to 85°C

### HUMIDITY

- Operating: 10% to 90%

### COM EXPRESS CONNECTORS

- Two 220-pin COM Express standard connectors
- Module connector pin: Tyco 3-631849-6

### Dimensions

- Dimensions
  - ATX form factor
  - 305mm (12") x 244mm (9.6")
- Compliance
  - PICMG COM Express® R1.0, Type 2

### CERTIFICATION

- CE
- FCC Class B
- UL
- RoHS

## ► Packing List

- |                            |
|----------------------------|
| • 1 COM630-B board         |
| • 1 USB port cable         |
| • 1 Serial ATA data cable  |
| • 1 Serial ATA power cable |
| • 1 IDE cable              |
| • 1 FDD cable              |
| • 1 I/O shield             |

## ► Optional Items

- |                          |
|--------------------------|
| • Serial ATA data cable  |
| • IDE cable              |
| • USB port cable         |
| • I/O shield             |
| • Serial ATA power cable |