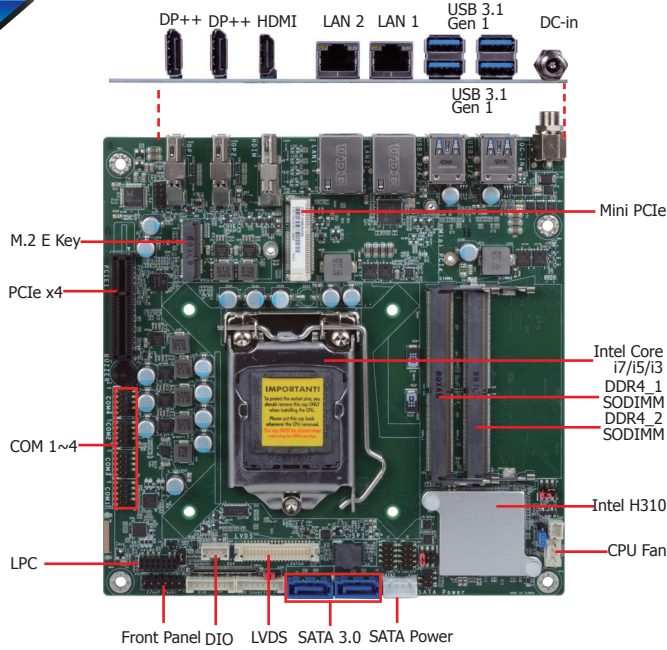


CS101-H310

Desktop

Features

- 2 DDR4 2666MHz SODIMM up to 32GB
- Dual/Three independent displays: LVDS + HDMI + DP++
- DP++ resolution supports up to 4096x2304 @ 60Hz
- Multiple Expansions: 1 PCIe x4 Gen 3, 1 mSATA, 1 M.2 2230 E Key
- Storage: 2 SATA 3.0
- Rich I/O: 2 Intel GbE, 4 COM, 4 USB 3.1 Gen 1, 4 USB 2.0

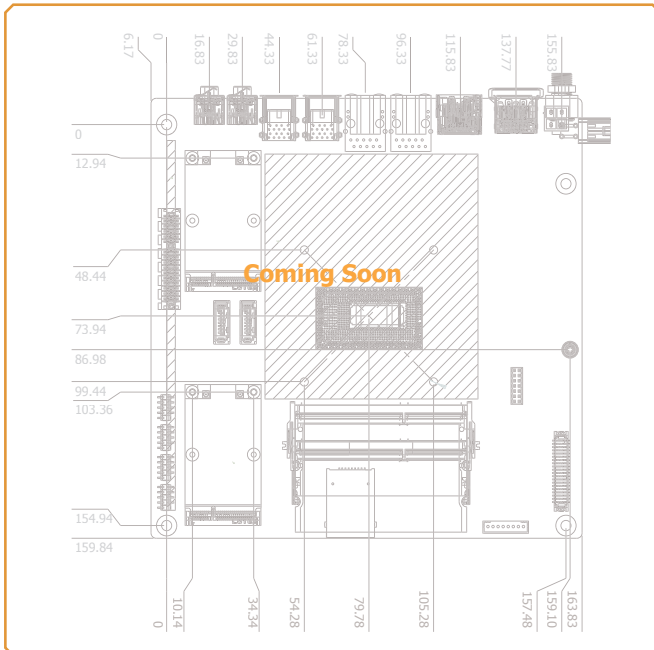


Ordering Information

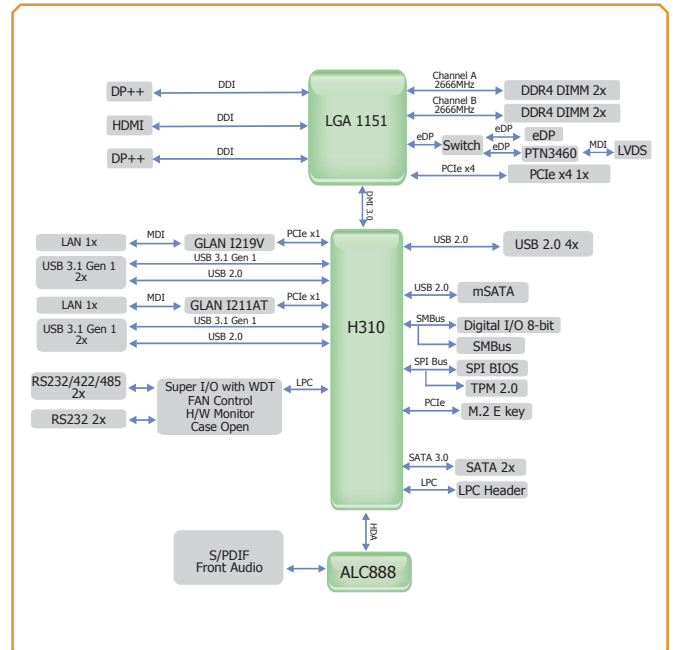
Model Name	P/N	Memory	LVDS/eDP	VGA/DP++	GbE	RS-232	RS-232/422/485	USB 3.1 Gen 1	USB 2.0	SATA 3.0	TPM	Power	Temp.
CS101-H310	TBD	2 SODIMM	LVDS	DP++	2	2	2	4	4	2	2.0	12V DC	0 to 60°C

Note: If you would like to have the CPU configuration which is not listed on our ordering, please contact our sales representative.

Mechanical Drawing



Block Diagram



Specifications

SYSTEM	Processor	8th Generation Intel® Core™ Processors, LGA 1151 Socket, TDP up to 80W Intel® Xeon E-2176G Processor Intel® Core™ i7-8700 Processor Intel® Core™ i5-8500 Processor Intel® Core™ i3-8100 Processor Intel® Pentium G5400 Processor Intel® Celeron G4900 Processor	
	Memory	Two 260-pin SODIMM up to 32GB	Dual Channel DDR4 2666MHz
	Chipset	Intel® H310 Chipset	
	BIOS	AMI SPI 128Mbit	
	GRAPHICS	Controller	Intel® UHD Graphics 630 (only Pentium G5400, Celeron G4900 support 610)
Feature		OpenGL 4.4, DirectX 12, OpenCL 2.1 HW Decode: AVC/H.264, MPEG2, VC1/WMV9, JPEG/MJPEG, HEVC/H265, VP8, VP9 HW Encode: AVC/H.264, MPEG2, JPEG, HEVC/H265, VP8, VP9	
Display		1 x LVDS/eDP (eDP available upon request) 1 x HDMI 2 x DP++	LVDS: resolution up to 1920x1200 @ 60Hz eDP: resolution up to 4096x2304 @ 60Hz HDMI: resolution up to 4096x2160 @ 60Hz DP1.2: resolution up to 4096x2304 @ 60Hz
Dual/Triple Displays		DP+HDMI+LVDS/eDP DP+DP+HDMI DP+DP+LVDS/eDP	
EXPANSION	Interface	1 x PCIe x4 (Gen 3) 1 x mSATA 1 x M.2 2230 E Key for BT/Wifi (USB/PCIe)	
AUDIO	Audio Codec	Realtek ALC888S-VD2-GR	
ETHERNET	Controller	1 x Intel® I219V PHY, 1 x Intel® I211AT PCIe (10/100/1000Mbps)	
REAR I/O	Ethernet	2 x GbE (RJ-45)	
	USB	4 x USB 3.1 Gen1 Type A Connector	
	Display	1 x HDMI 2 x DP++	
INTERNAL I/O	Serial	2 x RS-232/422/485 (2.0mm pitch) 2 x RS-232 (RS-232 w/ power)(2.0mm pitch)	
	Display	1 x LVDS Connector 1 x eDP (available upon request)	
	Audio	1 x Front Audio	
	SATA	2 x SATA 3.0 (up to 6Gb/s) 1 x SATA Power	
	DIO	1 x 8-bit DIO	
	SMBus	1 x SMBus	
	USB	4 x USB 2.0	
	WATCHDOG TIMER	Output & Interval	System Reset, Programmable via Software from 1 to 255 Seconds
SECURITY	TPM	fTPM 2.0, dTPM 2.0 (opt.)	
POWER	Type	12V DC-in	
	Connector	DC jack colay 4 pins power connector (opt.)	
	RTC Battery	CR2032 Coin Cell	
	Consumption	TBD	
OS SUPPORT	Microsoft/Linux	Windows 10 IoT Enterprise 64-bit	Linux: Ubuntu 18.04
ENVIRONMENT	Temperature	Operating: 0 to 60°C	Storage: -40 to 85°C
	Humidity	Operating: 5 to 90% RH	Storage: 5 to 90% RH
	MTBF	TBD	
MECHANICAL	Dimensions	Mini-ITX Form Factor	170mm (6.7") x 170mm (6.7")
	Height	PCB: 1.6mm	Top Side: 20mm, Bottom Side: 3mm

Packing List

• 1 CS101 motherboard	
• 1 Serial ATA data with power cable (Length: 300mm)	A81-002013-000G

Optional Items

• USB 2.0 port cable (Length: 200mm)	332-753059-000G
• COM port cable (Length: 250mm, 1 x COM ports)	A81-015011-001G
• Serial ATA data with power cable (Length: 300mm)	A81-002013-000G
• 1 I/O shield	TBD