

IDP156-MS

15" Industrial Touch Monitor

KEY FEATURES

Two Types Touch

Projected Capacitive Multi-touch / Resistive Touch

IP Rating

IP65 Front Panel

Support 3 Signal Interfaces

VGA/DVI/HDMI

Support Modular Extended Display

1 x HDBaseT / 2 x HDBaseT / Wifi Display

Various Mounting Type

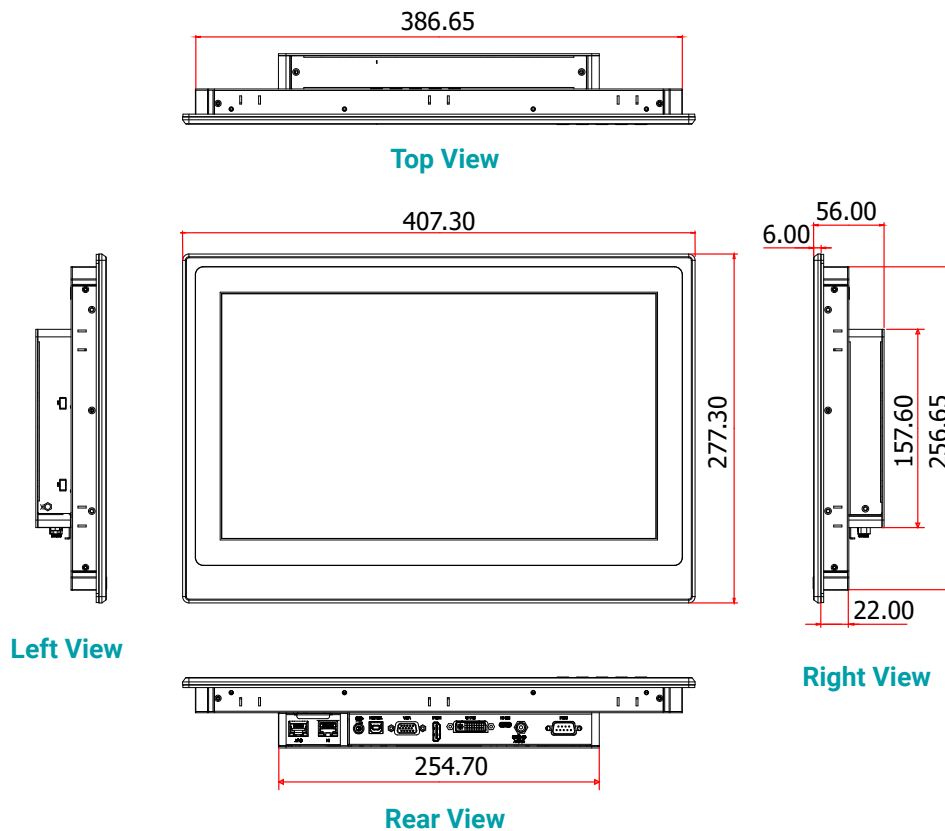
VESA Mount 75 / Panel Mount

Advanced Voltage

Support USB Type C



DIMENSIONS



SPECIFICATION

DISPLAY AND TOUCH SCREEN	Display	15.6" TFT LCD Monitor	Projected Capacitive Multi-touch / Resistive Touch
	Max. Resolution	1366 x 768	
	Brightness	400 cd/m ²	
	Contrast	800 : 1	
	Active Area	344.232mm x 193.536mm (H x V)	
	Response Time	10ms	
	View Angle	170/130	
	Backlight Lifetime	50,000 Hrs LED Backlight	
BOTTOM I/O	USB	1 x USB port (touch to external PC)	
	Display	1 x VGA 1 x DVI-D	1 x HDMI
	Audio	1 x Line-in	
	External Display (opt.)	1 x HDBaseT 100M / 2 x HDBaseT 100M / Wifi Display	
POWER	Type	20V USB Type C VDC Input / 12 to 24 VDC Input with DC Jack	
ENVIRONMENT	Operating Temperature	0°C ~ 70°C	
	Storage Temperature	-30°C ~ 70°C	
	Relative Humidity	90% RH@ 60°C, 240Hrs (non-condensing)	
MECHANISM	IP Rating	IP65 Front Panel	
	Construction	Aluminum Front Bezel	
	Dimensions (W x H x D)	407.3 x 227.3 x 56 (mm)	
	Weight	TBD	
OTHER	OSD Keypad	Multi-language OSD	
	Speaker	2 x 3W	

ORDERING INFORMATION

Model Name	Part Number
IDP156P-C20	750-IP1560-000G
IDP156P-W24	750-IP1560-100G
IDP156R-C20	750-IP1560-200G
IDP156R-W24	750-IP1560-300G

PACKING LIST

1 IDP156-MS Monitor
1 Audio Cable
1 VGA Cable
1 USB Cable
1 Quick Guide