



# EC200-BT

Atom



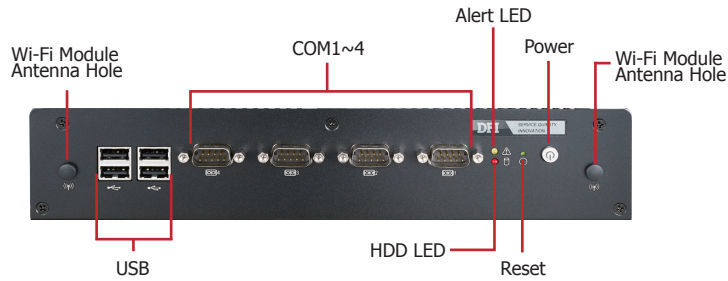
### Features

- Fanless, compact design for industrial applications
- Supports DDR3L SODIMM up to 8GB
- 2x 2.5" SATA drive bays

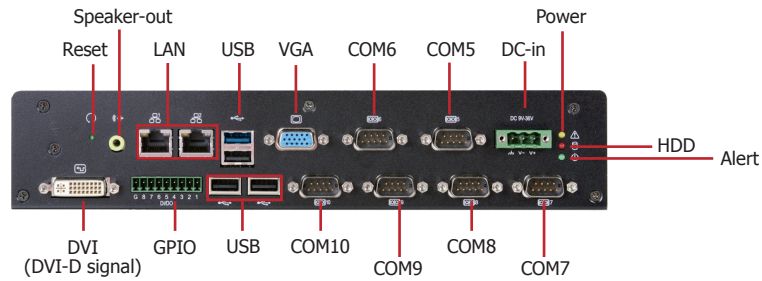


▶ 1 Vertical USB for securing data from unauthorized access (optional)

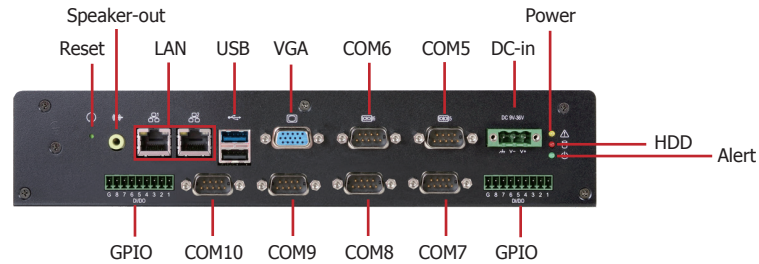
### Panel



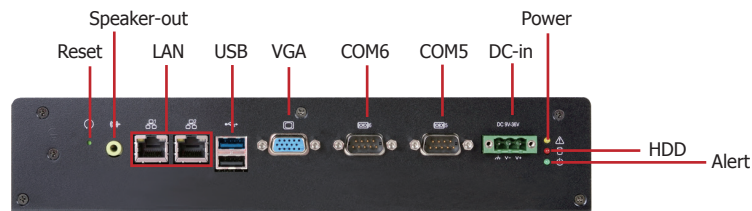
Front View



EC200-BTA881 Rear View



EC200-BTAG60 Rear View



EC200-BT6060 Rear View

# EC200-BT

## ► Specifications \* Optional and is not supported in standard model. Please contact your sales representative for more information.

### PROCESSOR SYSTEM

- Intel® Atom™ E3845, Quad Core, 2M Cache, 1.91GHz, 10W
- 22nm process technology

### MEMORY

- Two 204-pin DDR3L SODIMM sockets
  - up to 8GB system memory
  - dual channel memory interface
- Supports DDR3L 1333MHz

### GRAPHICS

- Intel® HD Graphics
- Display ports: 1 VGA, 1 DVI (DVI-D signal)
- Supports 2 independent displays
- VGA: resolution up to 2560x1600 @ 60Hz
- DVI: resolution up to 1920x1080 @ 60Hz

### STORAGE

- 2 2.5" SATA drive bays
  - SATA 2.0 port with data transfer rate up to 3Gb/s
  - Standard: 1 SATA drive bay
  - Option: 2 SATA drive bays (Available upon request. Please contact your sales representative for more information.)
- Supports 1 mSATA module via the mini PCIe socket

### ETHERNET

- 2 Intel® WGI210AT PCI Express Gigabit Ethernet controllers
- Integrated 10/100/1000 transceiver
- Fully compliant with IEEE 802.3, IEEE 802.3u, IEEE 802.3ab

### EXPANSION

- 1 Mini PCIe slot
  - Supports USB and PCIe signals
  - Supports mSATA, Wi-Fi or 3G\*
  - Supports half size or full size Mini PCIe card

### AUDIO

- Realtek® ALC888 High Definition Audio
- 2 watt, 4Ω power amplifier

### POWER

- Power input voltage: 9~36V DC-in

### ENVIRONMENT

- Temperature
  - Operating: 0°C~55°C (SSD/mSATA)
  - Operating: 0°C~50°C (HDD)
  - Operating: -10°C~70°C (wide-temp SSD, for EC200-BT6060 only)
  - Storage: -20°C~85°C
- Operating Vibration
  - IEC68-2-64 (HDD)
- Operating Shock
  - Half sine wave 15G, 11ms, 3 shock per axis

### CONSTRUCTION

- Aluminum + SGCC

### MOUNTING

- Wall/VESA mount
  - Mounting brackets and screws\*

### DIMENSIONS

- 275mm x 59mm x 203mm (W x H x D)

### WEIGHT

- 3 kg

### OS SUPPORT

- Windows 7, WES 7, Windows 8.1, WES 8, Windows 10 IoT (64-bit)
- Linux (Distribution available upon request)

### WATCHDOG TIMER

- Watchdog timeout programmable via software from 1 to 255 seconds

### CERTIFICATION

- CE
- FCC Class A
- RoHS
- UL compliance

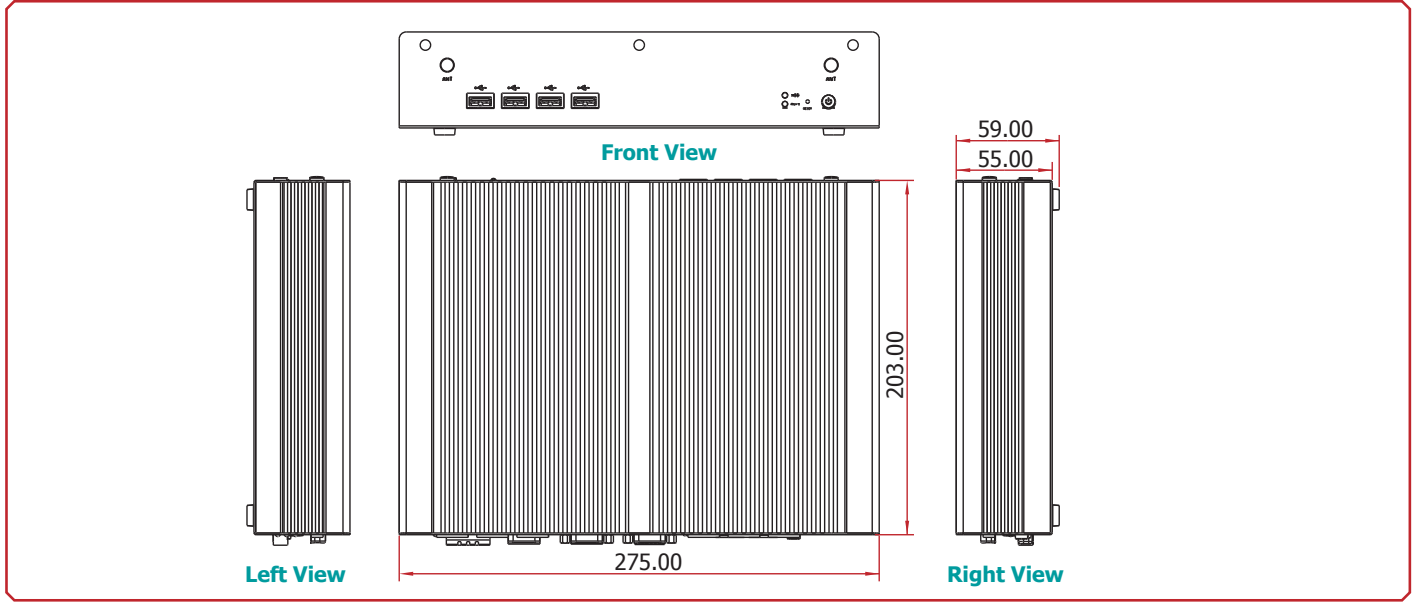
## ► System Models

| Rear I/O Ports                          | EC200-BTA881 | EC200-BTAG60 | EC200-BT6060 |
|---|--------------|--------------|--------------|
| DC-in power jack: 3-pole terminal block | 1            | 1            | 1            |
| Speaker-out: 2W 3.5mm audio jack        | 1            | 1            | 1            |
| VGA: DB-15 D-sub                        | 1            | 1            | 1            |
| DVI (DVI-D signal)                      | 1            | 0            | 0            |
| LAN: RJ45                               | 2            | 2            | 2            |
| RS232 COM: DB-9 D-Sub                   | 2            | 2            | 2            |
| RS232/422/485 COM: DB-9 D-Sub           | 4            | 4            | 0            |
| USB 2.0 Type A                          | 3            | 1            | 1            |
| USB 3.0 Type A                          | 1            | 1            | 1            |
| GPIO: 9-pole terminal block             | 8-bit        | 16-bit       | 0            |
| Reset button                            | 1            | 1            | 1            |
| Power LED                               | 1            | 1            | 1            |
| HDD LED                                 | 1            | 1            | 1            |
| Alert LED                               | 1            | 1            | 1            |
| Front I/O Ports                         | EC200-BTA881 | EC200-BTAG60 | EC200-BT6060 |
| USB 2.0 Type A                          | 4            | 4            | 4            |
| RS232/422/485 COM: DB-9 D-Sub           | 4            | 4            | 4            |
| Power button with indicator             | 1            | 1            | 1            |
| Reset button                            | 1            | 1            | 1            |
| HDD LED                                 | 1            | 1            | 1            |
| Alert LED                               | 1            | 1            | 1            |
| Wi-Fi module antenna hole               | 2            | 2            | 2            |

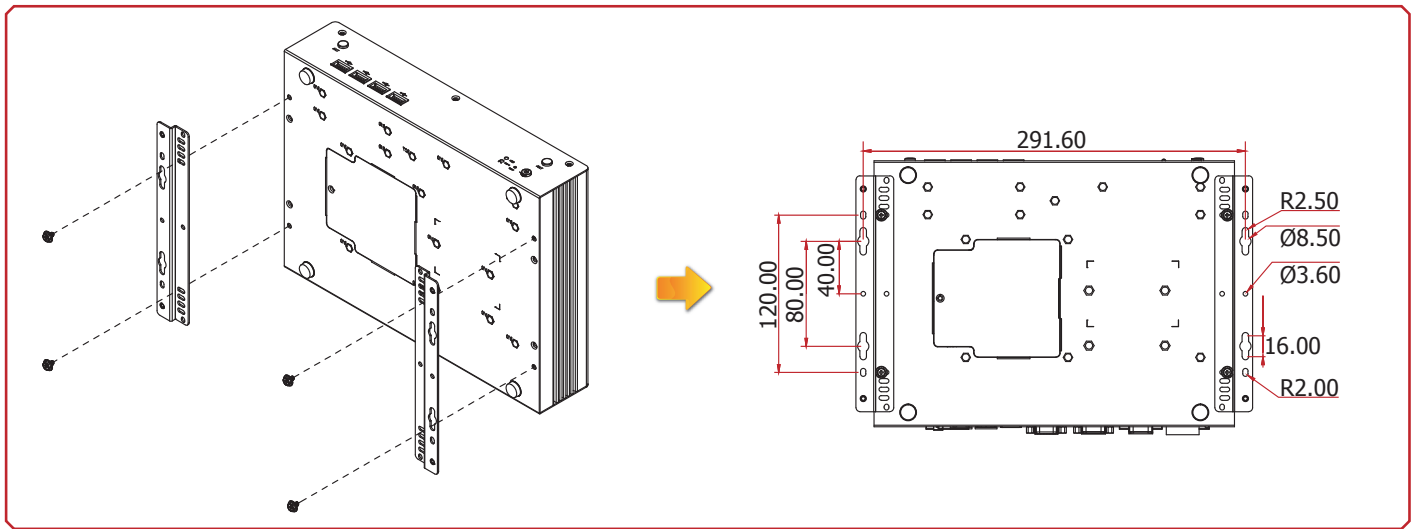


# EC200-BT

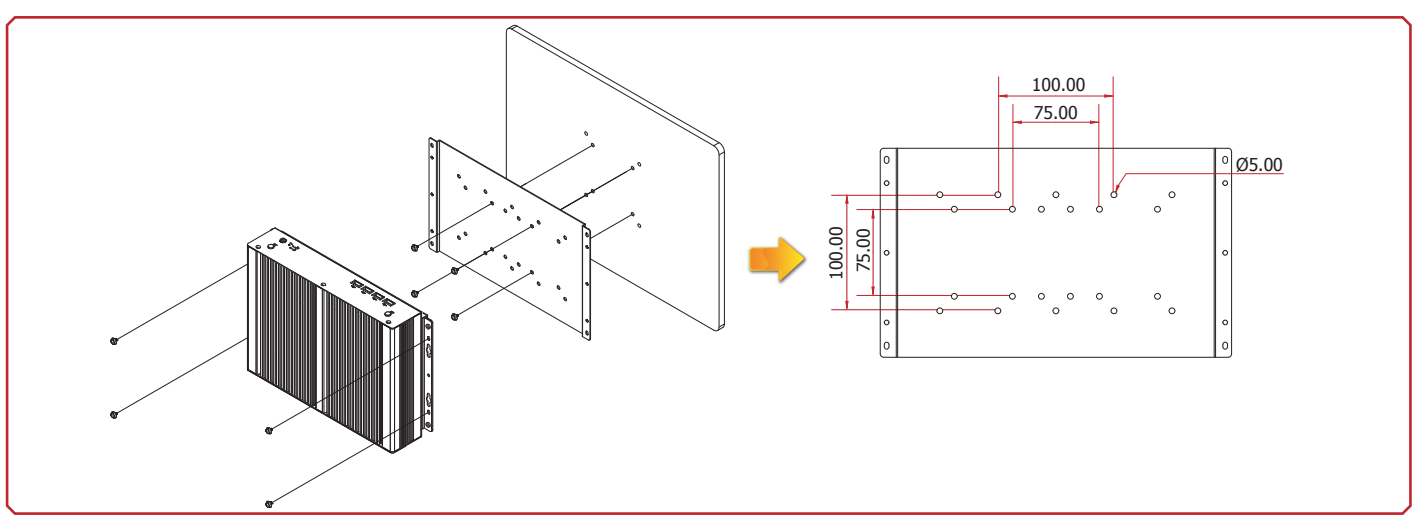
## Dimensions



## Wall Mounting



## VESA Mounting



## EC200-BT

### ► Ordering Information

| Model Name             | Part Number     | Description  |
|------------------------|-----------------|--|
| <b>EC200-BTA881-45</b> | 750-EC2000-F00G | Fanless, E3845, 2 LAN, 1 DVI, 1 VGA, 10 COM, 8-bit GPIO, 8 USB, RoHS |
| <b>EC200-BTAG60-45</b> | 750-EC2000-G00G | Fanless, E3845, 2 LAN, 1 VGA, 10 COM, 16-bit GPIO, 6 USB, RoHS       |
| <b>EC200-BT6060-45</b> | 750-EC2000-H00G | Fanless, E3845, 2 LAN, 1 VGA, 6 COM, 6 USB, RoHS                     |

### ► Optional Items

| Optional Items       | Part Number                             | Description                                    |
|----------------------|---|--|
| <b>Memory</b>        | 785-RSOD34G-L                           | SODIMM, DDR3L Module, 4GB, RoHS                |
|                      | 785-RSOD32G-L                           | SODIMM, DDR3L Module, 2GB, RoHS                |
| <b>HDD</b>           | 785-H25500G                             | 2.5" SATA HDD, 500GB, RoHS                     |
|                      | 785-H25320G                             | 2.5" SATA HDD, 320GB, RoHS                     |
|                      | 785-S251TBG                             | 2.5" SATA SSD, 1TB MLC, RoHS                   |
|                      | 785-S25512G                             | 2.5" SATA SSD, 512GB MLC, RoHS                 |
|                      | 785-S25256G                             | 2.5" SATA SSD, 256GB MLC, RoHS                 |
|                      | 785-S25128G                             | 2.5" SATA SSD, 128GB MLC, RoHS                 |
|                      | 785-S25064G                             | 2.5" SATA SSD, 64GB MLC, RoHS                  |
|                      | 785-S251TBG-W                           | 2.5" SATA SSD, 1TB MLC, Wide Temp, RoHS        |
|                      | 785-S25512G-W                           | 2.5" SATA SSD, 512GB MLC, Wide Temp, RoHS      |
|                      | 785-S25256G-W                           | 2.5" SATA SSD, 256GB MLC, Wide Temp, RoHS      |
|                      | 785-S25128G-W                           | 2.5" SATA SSD, 128GB MLC, Wide Temp, RoHS      |
|                      | 785-S25064G-W                           | 2.5" SATA SSD, 64GB MLC, Wide Temp, RoHS       |
|                      | 785-S25032G-W                           | 2.5" SATA SSD, 32GB MLC, Wide Temp, RoHS       |
|                      | 785-S25016G-W                           | 2.5" SATA SSD, 16GB MLC, Wide Temp, RoHS       |
| 785-S25008G-W        | 2.5" SATA SSD, 8GB MLC, Wide Temp, RoHS |  |
| <b>mSATA</b>         | 785-MS128GMF                            | mSATA Card, 128GB MLC, RoHS                    |
|                      | 785-MS64GMF                             | mSATA Card, 64GB MLC, RoHS                     |
|                      | 785-MS32GMF                             | mSATA Card, 32GB MLC, RoHS                     |
|                      | 785-MS16GMF                             | mSATA Card, 16GB MLC, RoHS                     |
|                      | 785-MS08GMF                             | mSATA Card, 8GB MLC, RoHS                      |
|                      | 785-MS04GMF                             | mSATA Card, 4GB MLC, RoHS                      |
| <b>Wi-Fi</b>         | 761-110091-000G                         | Wi-Fi Kit, RoHS                                |
| <b>Power Cord</b>    | 785-PWRD                                | Power Cord, Standards (USA/EUR/CH), 1.8m, RoHS |
| <b>Power Adapter</b> | 671-106011-000G                         | 60W, 19V/3.15A, Level 6, RoHS                  |
|                      | 671-106013-000G                         | 60W, 12V/5A (-30 to 70°C), Level 6, RoHS       |
|                      | 671-110003-100G                         | 120W, 19V/6.31A, Level 6, RoHS                 |
| <b>Wall Mount</b>    | 785-EC3WMK                              | Wall Mount Kit                                 |
| <b>VESA Mount</b>    | 785-EC2VAK                              | VESA Mount Kit                                 |

### ► Packing List

|                              |
|------------------------------|
| • 1 EC200 system unit        |
| • 1 HDD drive bay kit        |
| - 2 Brackets                 |
| - 1 SATA data/power cable    |
| - 4 Bracket screws           |
| - 4 HDD screws               |
| • Terminal blocks            |
| • 1 Quick Installation Guide |
| • 1 CD disk includes:        |
| - Drivers / Manual           |