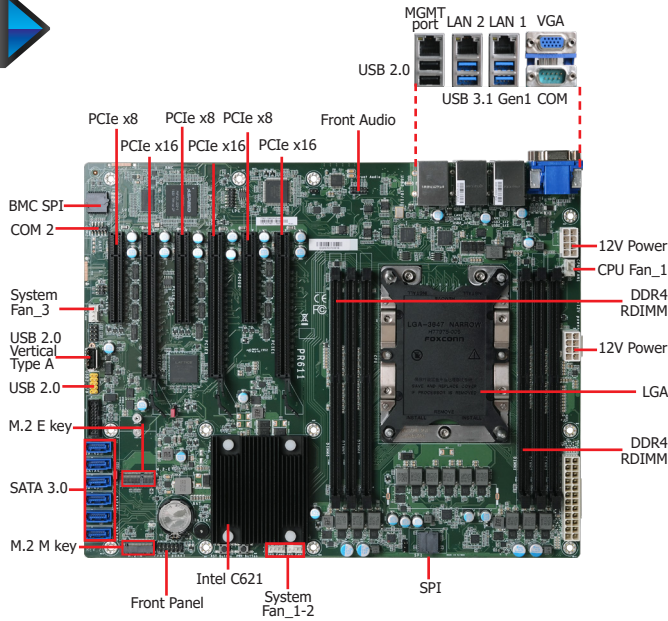


PR611-C621

Server-grade

C621

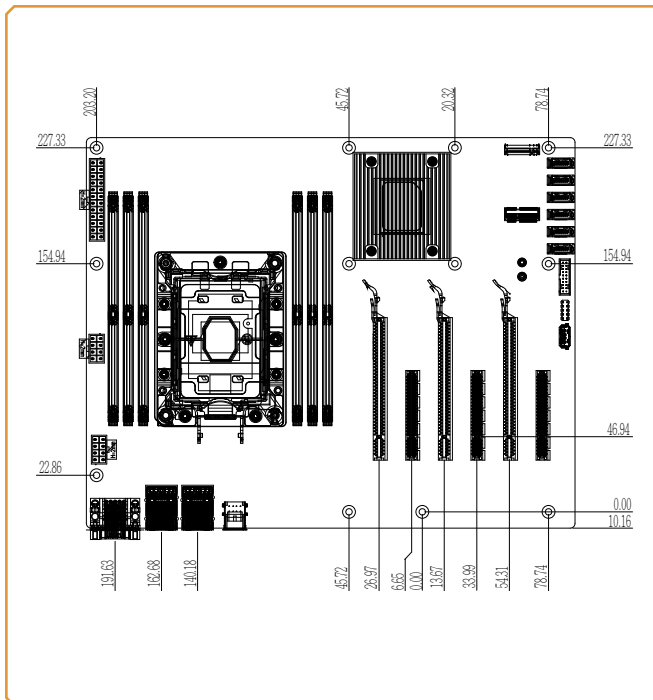


Features

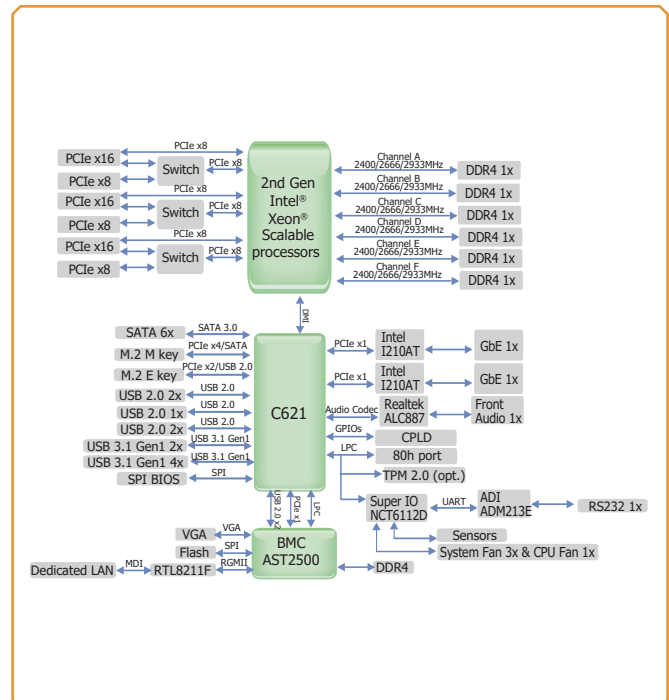
- 6 DDR4 RDIMM up to 192GB
- Multiple expansion: 3 PCIe x16, 3 PCIe x8 (share w/ PCIe x16), 2 M.2
- Rich I/O: 2 Intel GbE, 1 COM, 6 SATA 3, 5 USB 2.0, 6 USB 3.1 Gen1



Mechanical Drawing



Block Diagram



Specifications

SYSTEM	Processor	1st Generation Intel® Xeon® Scalable Processor Family, LGA 3647 Socket: Intel® Xeon® Platinum 8160T (24 Cores, 27.5M Cache, up to 3.7 GHz); 150W Intel® Xeon® Gold 6138T (20 Cores, 27.5M Cache, up to 3.7 GHz); 125W Intel® Xeon® Gold 6138 (20 Cores, 27.5M Cache, up to 3.7 GHz); 125W Intel® Xeon® Gold 6130T (16 Cores, 22M Cache, up to 3.7 GHz); 125W Intel® Xeon® Gold 6130 (16 Cores, 22M Cache, up to 3.7 GHz); 125W Intel® Xeon® Gold 6126T (12 Cores, 19.25M Cache, up to 3.7 GHz); 125W Intel® Xeon® Gold 6126 (12 Cores, 19.25M Cache, up to 3.7 GHz); 125W Intel® Xeon® Gold 5120T (14 Cores, 19.25M Cache, up to 3.2 GHz); 105W Intel® Xeon® Gold 5119T (14 Cores, 19.25M Cache, up to 3.2 GHz); 85W Intel® Xeon® Gold 5118 (12 Cores, 16.5M Cache, up to 3.2 GHz); 105W Intel® Xeon® Silver 4116T (12 Cores, 16.5M Cache, up to 3.0 GHz); 85W Intel® Xeon® Silver 4116 (12 Cores, 16.5M Cache, up to 3.0 GHz); 85W Intel® Xeon® Silver 4114T (10 Cores, 13.75M Cache, up to 3.0 GHz); 85W Intel® Xeon® Silver 4110 (8 Cores, 11M Cache, up to 3.0 GHz); 85W Intel® Xeon® Silver 4109T (8 Cores, 11M Cache, up to 3.0 GHz); 70W Intel® Xeon® Bronze 3106 (8 Cores, 11M Cache, 1.7 GHz); 85W 2nd Generation Intel® Xeon® Scalable Processor Family, LGA 3647 Socket: Intel® Xeon® Gold 6252N (24 Cores, 35.75M Cache, up to 3.6 GHz); 150W Intel® Xeon® Gold 6238T (22 Cores, 30.25M Cache, up to 3.7 GHz); 125W Intel® Xeon® Gold 6230T (20 Cores, 27.5M Cache, up to 3.9 GHz); 125W Intel® Xeon® Gold 6230N (20 Cores, 27.5M Cache, up to 3.5 GHz); 125W Intel® Xeon® Gold 6230 (20 Cores, 27.5M Cache, up to 3.9 GHz); 125W Intel® Xeon® Gold 6226 (12 Cores, 19.25M Cache, up to 3.7 GHz); 125W Intel® Xeon® Gold 5220T (18 Cores, 24.75M Cache, up to 3.9 GHz); 105W Intel® Xeon® Gold 5218T (16 Cores, 22M Cache, up to 3.8 GHz); 105W Intel® Xeon® Gold 5218N (16 Cores, 22M Cache, up to 3.7 GHz); 110W Intel® Xeon® Gold 5215 (10 Cores, 13.75M Cache, up to 3.4 GHz); 85W Intel® Xeon® Silver 4216 (16 Cores, 22M Cache, up to 3.2 GHz); 100W Intel® Xeon® Silver 4215 (8 Cores, 11M Cache, up to 3.5 GHz); 85W Intel® Xeon® Silver 4214 (12 Cores, 16.5M Cache, up to 3.2 GHz); 85W Intel® Xeon® Silver 4210 (10 Cores, 13.75M Cache, up to 3.2 GHz); 85W Intel® Xeon® Silver 4209 (8 Cores, 11M Cache, up to 3.2 GHz); 70W			
	Chipset	Intel® C621 Chipset			
	Memory	6 x 288-pin RDIMM up to 192GB	Single Channel DDR4 up to 2933 MHZ		
	BIOS	Insyde SPI 128Mbit			
	Graphics	Display	1 x VGA (opt.)		
	Single Displays	VGA (opt.)			
EXPANSION	Interface	3 x PCIe x16 (Gen 3) 3 x PCIe x8 (Gen 3)(share w/ PCIe x16) 1 x M.2 M key 2280 (SATA/PCIe Gen3 x4 NVMe) 1 x M.2 E key 2230 (USB 2.0/PCIe Gen3 x2)			
	Audio Codec	ALC887			
ETHERNET	Controller	2 x Intel® I210AT PCIe (10/100/1000Mbps) IPMI: RTL8211F (opt.)			
REAR I/O	Ethernet	2 x GbE (RJ-45) 1 x dedicated IPMI LAN (opt.)			
	USB	4x USB 3.1 Gen1 2x USB 2.0 stack (opt.w/ RJ45+USB2.0 stack)			
	Serial	1 x RS-232 (DB-9)			
INTERNAL I/O	USB	2x USB 2.0 header (2x USB 2.0) 1x USB 2.0 vertical Type A 1x USB 3.1 Gen1 header (2x USB 3.1 Gen1)			
	SATA	6 x SATA 3.0 (up to 6Gb/s)	RAID 0/1/5/10		
	SMBus	1 x SMBus			
	WATCHDOG TIMER	Output & Interval	System Reset, Programmable via Software from 1 to 255 sec/Min		
SECURITY	TPM	TPM 2.0 (opt.)			
POWER	Type	ATX			
	Connector	8-pin ATX 12V power	24-pin ATX power		
	Consumption	TBD			
	RTC Battery	CR2032 Coin Cell			
OS SUPPORT		Windows 10 IoT Enterprise LTSB RS5(64-bit) Windows Server 2019 Windows Server 2016	Linux		
ENVIRONMENT	Temperature	Operating: -5 to 65°C	Storage: -40 to 85°C		
	Humidity	Operating: 5 to 90% RH, Non-condensing	Storage: 5 to 90% RH, Non-condensing		
	MTBF	TBD			
MECHANICAL	Dimensions	ATX Form Factor	305mm (12") x 244mm (9.6")		
	Height	PCB: 1.6mm	Top Side: 37.34mm		

Ordering Information

Model Name	P/N	GbE	RS-232	USB 3.1 Gen1	USB 2.0	VGA	IPMI-Mgmt	Thermal	Temp.
PR611-C621DRI	770-PR6111-000G	2	1	6	5	1	1	cooler	-5~65°C
PR611-C621DR	770-PR6111-100G	2	1	6	5	0	0	cooler	-5~65°C

Packing List

• 1 PR611-C621 motherboard	
• 1 I/O shield	
• 2 M.2 screw	A32-112016-041G
• 1 CPU Clip	348-436471-100G

Optional Items

• USB 2.0 port cable (Length: 398mm)	A81-001066-016G
• LGA3647 cooler	A71-101400-000G
• USB 3.1 Gen1 cable (Length: 320mm)	A81-001052-023G
• Serial ATA data cable (Length: 500mm)	332-553001-005G