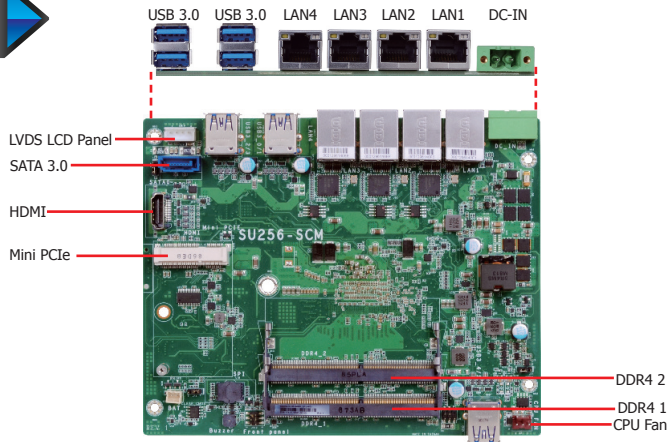


# SU256-SCM

ULT



## Ordering Information

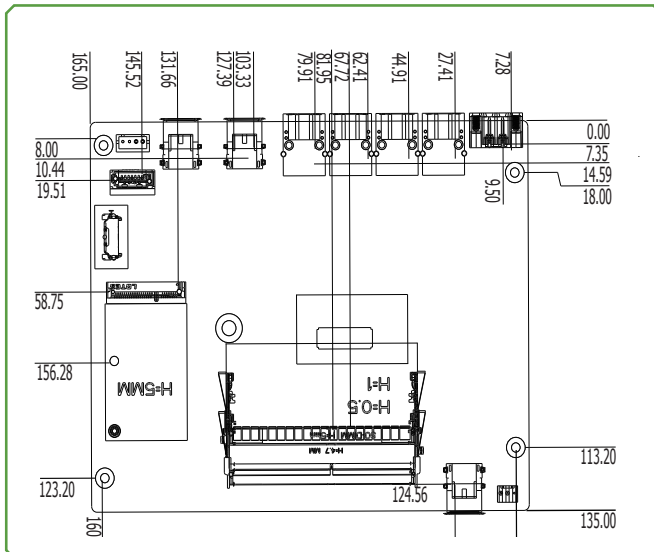
| Model Name | P/N             | Processor | Storage                | Memory       | TPM | HDMI | GbE | USB 3.0 | Power     | Thermal | Temp.       |
|------------|-----------------|-----------|------------------------|--------------|-----|------|-----|---------|-----------|---------|-------------|
| SU256-SCM  | 770-SU2561-001G | i7-6600U  | mSATA SATAIII 256G MLC | DDR4 8Gx2pcs | 2.0 | 1    | 4   | 6       | 15~36V DC | Fanless | -20 to 70°C |
| SU256-SCM  | 770-SU2561-101G | i7-7600U  | mSATA SATAIII 256G MLC | DDR4 8Gx2pcs | 2.0 | 1    | 4   | 6       | 15~36V DC | Fanless | -20 to 70°C |

Notes: Memory and mSATA module 客戶不指定廠牌以及型號，若提供替代料必須提供同等級規格

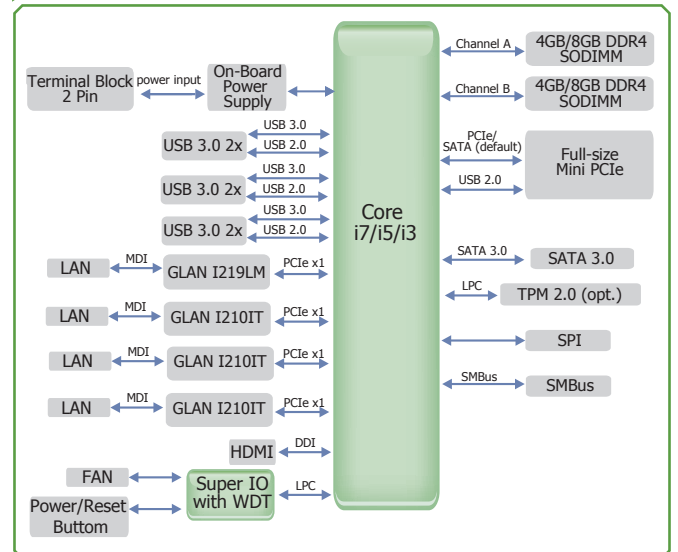
770-SU2561-001G including following PCBA, DDR4 and mSATA modules

1. PCBA: SU256-SCM-6600U: WIDE TEMPERATIRE (-20~70) Terminal block \_15V~36V
2. DDR4-2400 SO-DIMM 260pin 8GB (1R\*8) x 2pcs
3. Flash Module mSATA SATAIII 256GB MLC

## Mechanical Drawing



## Block Diagram



## Specifications

|                     |                       |   |   |
|---------------------|-----------------------|---|---|
| <b>SYSTEM</b>       | <b>Processor</b>      | 6th Generation Intel® Core™ Processors, BGA 1356 (Skylake-U*)<br>Intel® Core™ i7-6600U Processor, Dual Core, 4M Cache, 2.6GHz (3.4GHz), 15W<br>Intel® Core™ i5-6300U Processor, Dual Core, 3M Cache, 2.4GHz (3.0GHz), 15W<br>Intel® Core™ i3-6100U Processor, Dual Core, 3M Cache, 2.3GHz, 15W<br>Intel® Core™ i7-7600U Processor, Dual Core, 4M Cache, 2.8 GHz(3.9 GHz) ,15W |   |
|                     | <b>Memory</b>         | DDR4-2400 SO-DIMM 260pin 8GB (1R*8) x 2pcs  |   |
|                     | <b>BIOS</b>           | Insyde SPI 128Mbit  |   |
|                     | <b>GRAPHICS</b>       | <b>Controller</b>   | Intel® HD Graphics GT Series  |
| <b>GRAPHICS</b>     | <b>Feature</b>        | OpenGL 5.0, DirectX 12, OpenCL 2.1<br>HW Decode: AVC/H.264, MPEG2, VC1/WMV9, JPEG/MJPEG, HEVC/H265, VP8, VP9<br>HW Encode: AVC/H.264, MPEG2, JPEG, HEVC/H265, VP8, VP9  |   |
|                     | <b>Display</b>        | 1 x HDMI  |   |
|                     | <b>EXPANSION</b>      | <b>Interface</b>  | 1 x Full-size Mini PCIe   |
| <b>EXPANSION</b>    | <b>Storage</b>        | 1 x Flash Module mSATA SATAIII 256GB MLC  |   |
|                     | <b>ETHERNET</b>       | <b>Controller</b>   | 3 x Intel® I210IT PCIe (10/100/1000Mbps)<br>1 x Intel® I219LM PCIe with iAMT9.5 (10/100/1000Mbps) (only Core i7/i5 supports iAMT) |
| <b>REAR I/O</b>     | <b>Ethernet</b>       | 4 x GbE (RJ-45)   |   |
|                     | <b>USB</b>            | 4 x USB 3.0   |   |
|                     | <b>Display</b>        | 1 x HDMI  |   |
| <b>FRONT I/O</b>    | <b>USB</b>            | 2 x USB 3.0   |   |
| <b>INTERNAL I/O</b> | <b>SATA</b>           | 1 x SATA 3.0  |   |
|                     | <b>LPC</b>            | 1 x LPC   |   |
|                     | <b>SMBus</b>          | 1 x SMBus   |   |
|                     | <b>WATCHDOG TIMER</b> | <b>Output &amp; Interval</b>  | System Reset, Programmable via Software from 1 to 255 Seconds   |
| <b>SECURITY</b>     | <b>TPM</b>            | TPM 2.0 (option)  |   |
| <b>POWER</b>        | <b>Type</b>           | Wide Range 15~36V   |   |
|                     | <b>Connector</b>      | Terminal Block  |   |
|                     | <b>Consumption</b>    | TBD   |   |
|                     | <b>RTC Battery</b>    | CR2032 Coin Cell  |   |
| <b>OS SUPPORT</b>   | <b>Microsoft</b>      | Windows 7 (32/64-bit)   | WES 7   |
|                     |                       | Windows 8.1 (64-bit)  | WE8S  |
|                     |                       | Windows 10  | CentOS 7 (1804)   |
| <b>ENVIRONMENT</b>  | <b>Temperature</b>    | Operating: -20 to 70°C  | Storage: -40 to 85°C  |
|                     | <b>Humidity</b>       | TBD   |   |
|                     | <b>MTBF</b>           | TBD   |   |
| <b>MECHANICAL</b>   | <b>Dimensions</b>     | 4" SBC Form Factor  | 165mm x 135mm   |
|                     | <b>Height</b>         | PCB: 1.6mm  | Top Side: TBD, Bottom Side: TBD   |

## Packing List

- 1 SU256-SCM board