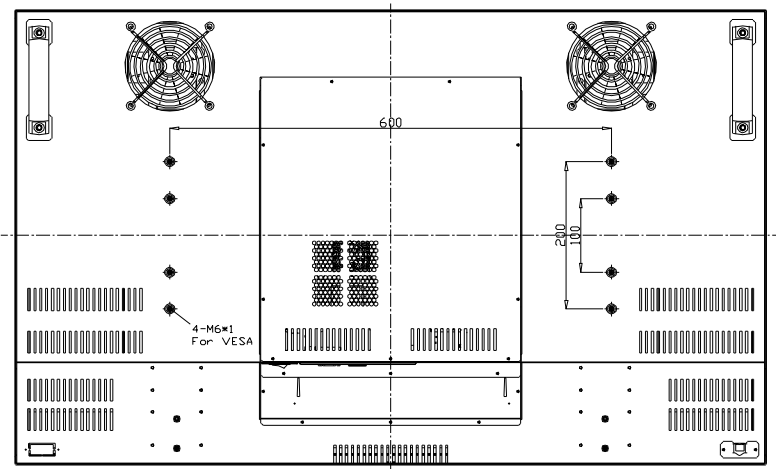
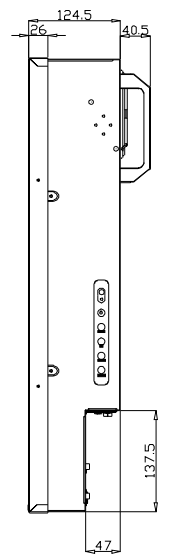
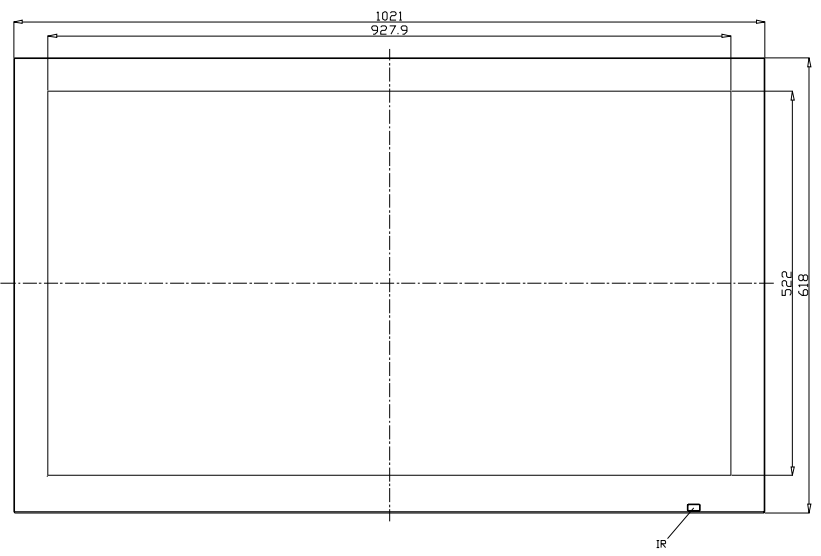


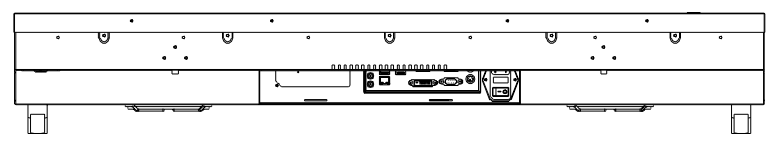
1 2 3 4 5

A



B

C



D

AD/BOARD		MODEL	CH4204 -QH-QF			WINSONIC ELECTRONICS CO., LTD.					
INVERTER						PART NAME	ASSEMBLY				
KEY PAD											
PANEL:	VERSION	MATERIAL	METAL	DATE	2017-Apr-25	APPROVED	DRAWN	JACK	UNIT	MM	
	V1										

1 2 3 4 5