

8.4" Marine Bridge System Display

Model # R08T200-MRT1

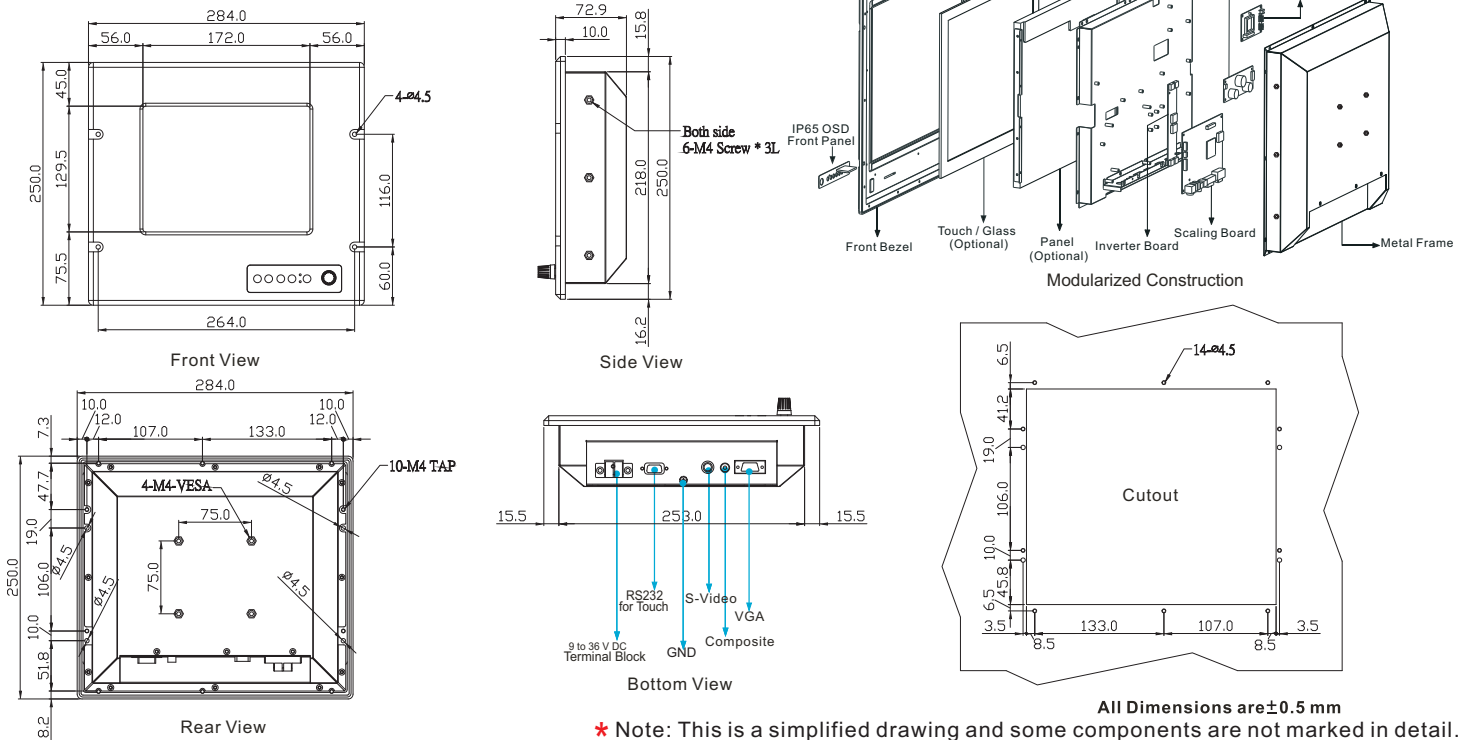


Features:

- Hyper Dimming : Dimming knob control backlight brightness from nearly 0% to 100%
- Sunlight Readable : Transflective film technology enhance visibility
- Anti-Corrosion & IP Proof : IP65 aluminum housing with powder coating design (IP54 rear)
- Wide Voltage Range Input : 9 to 36V DC to DC power input acceptable
- Touchscreen/ Protection Glass : High quality touchscreen / AR protection glass for option
- Multiscan Function : PIP (picture in picture) function and multi-video inputs
- IP65 OSD Front Panel Design : Ease of use front panel OSD control
- Anti-Shock and Vibration : Enhanced shock and vibration resistance



Mechanical Design Drawing



* Note: This is a simplified drawing and some components are not marked in detail. Please contact our sales representative if you need further product information.

TFT Characteristics:

Pixel Number	: 800 x 600
Pixel Pitch(RGB)	: 0.213 (H) x 0.213 (V) mm
Contrast Ratio	: 600:1 (typ.)
Light Intensity	: 450 cd/m ² (typ.)
Viewable Angles	: -75~75(H); -75~75(V)
Active Display Area	: 170.4 (H) x 127.8 (V) mm
Max Colors	: 16.2M (8bit/color)

Input Signals:

RGB Signal	: D-SUB 15P connector (female)
Composite Video	: RCA phono plug
S-Video Signal	: S-Video (SVHS) plug
DC Power Signal	: Screw terminal block
Touch Screen (Optional)	: D-SUB 9P connector (female)

User Controls:

Power On/Off via front button
 VR Brightness Knob Control
 Power Mode Status LED
 On Screen Display control (OSD)
 OSD Remote Control via RS-232

Power Specifications:

Power Supply Options : 9 to 36 V DC power supply with Terminal block
 Power Consumption : 13 W typical, normal operation

Mechanical and Environmental:

Mechanical Mounting : Panel (Flush) mount with IP65*, VESA, Bracket mounting
 Operating Temperature : -10 to 55 deg.C (-20 to 60 deg.C for optional heating)
 Operating Humidity : 5% to 95% (non condensing)
 Anti-Vibration : 5Hz~500Hz / 1Grms/3 Axis
 Anti-Shock : 15G, 11ms duration
 * SAW touch for IP54

Available Options:

Touch Screen Options : SAW, 5 Wire Resistive
 AR Safety Glass Options : 3mm Anti-reflective protection glass
 Transflective Options : Yes (Enhance Visibility)
 Bracket Mounting Options : Yes (One robust bracket can adjust from -10 to 30 deg.)

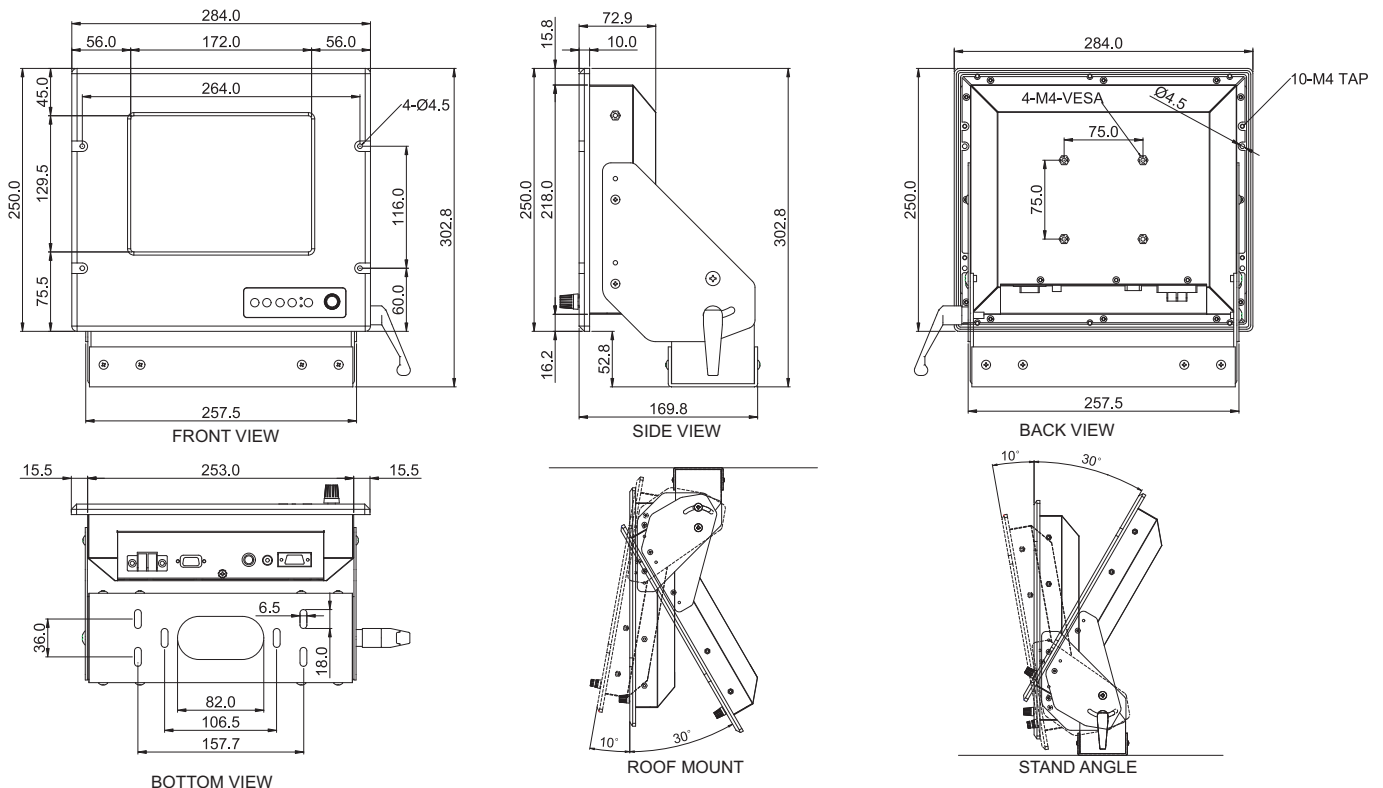


8.4"

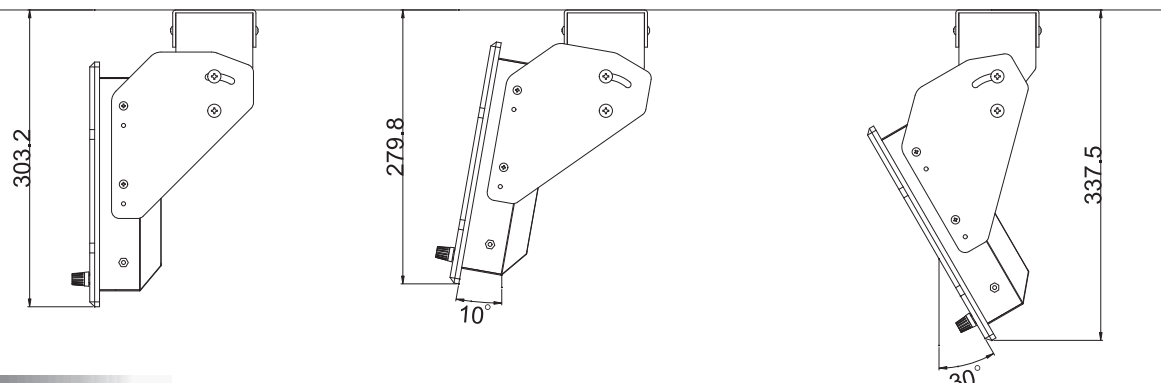
Marine Bridge System Display

Model # R08T200-MRT1

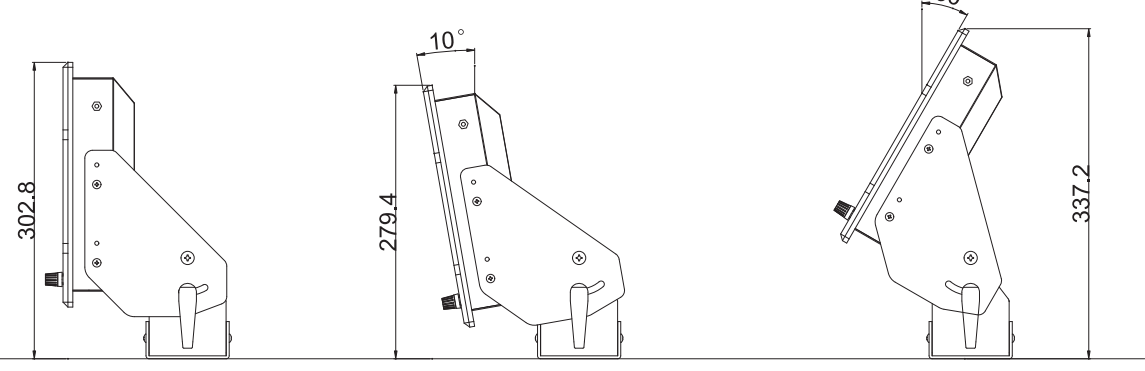
Mechanical Design with Robust Bracket (options)



ROOF MOUNT



STAND ANGLE



* Note: This is a simplified drawing and some components are not marked in detail. Please contact our sales representative if you need further product information.

All Dimensions are ±0.5 mm

Rev.	Reasons	Revised Date
1.0	Add holes for brackets on back cover*	Nov-17-08
1.1	Spec change	Mar-02-11
1.2	Spec change	Jun-30-11

Certification and Approvals : CE, FCC



* Extra charge is required for back covers with bracket holes for products purchased before end of Nov. 08'

Note: All Specifications are subject to change without prior notice!

Revised Date : 03/02/2011