



## Main Features

- 15" 4:3 XGA (1024x 768) TFT LCD panel
- 15" projected capacitive true flat touch screen
- 2nd/ 3rd Generation Intel® Core™ i3/ i5/ i7 Processor
- Support DDR3 1333 SO-DIMM memory
- 2.5" removable SATA HDD
- Powered COM(4), USB(4), printer port(1), VGA(1), GbE LAN(1), Cash drawer(1)
- Front bezel complies with IP-65 protection standard
- VESA 100mm x 100mm mounting for wall-mount application

## Product Overview

The KPPC 5852 is a multi-functional and Powerful Kiosk Panel PC, transcending various market applications from Health Care, Gaming and Industrial. It has a State of the art 15" touch screen with Projected Capacitive Multi-Touch Technology from Japan. Borderless (True Flat Surface) design combined with its Solid IP65 Water and Dust proofing, making it a perfect engine for any Kiosk Applications.

High-end performance 2nd/ 3rd Generation Intel® Core™ i3/ i5/ i7 Mobile Processor platform makes sure multi-applications runs smoothly and efficiently.

Removable HDD and Dust Filter design makes repair so easy, lowering terminal downtime to almost zero and thus saving on maintenance cost.

KPPC 5852 supports 100mm x 100mm VESA Standard for various mounting application from Wall Mount, Panel Mount and Bracket Mount e.g. Nursing/ Service cart, Bedside Care, Factory Automation and many more.

## Specifications

### Panel

- LCD Size: 15" , 4:3
- Resolution: XGA 1024 x 768
- Luminance: 250cd/m<sup>2</sup>
- Contrast ratio: 700
- LCD color: 16.2M
- Viewing angle: 80 (upper), 80 (lower), 85 (left), 85 (right)
- Backlight: CCFL
- Touch screen: projected capacitive true flat (zero bezel)
- Touch light transmission: 91%
- Touch interface: USB

### System

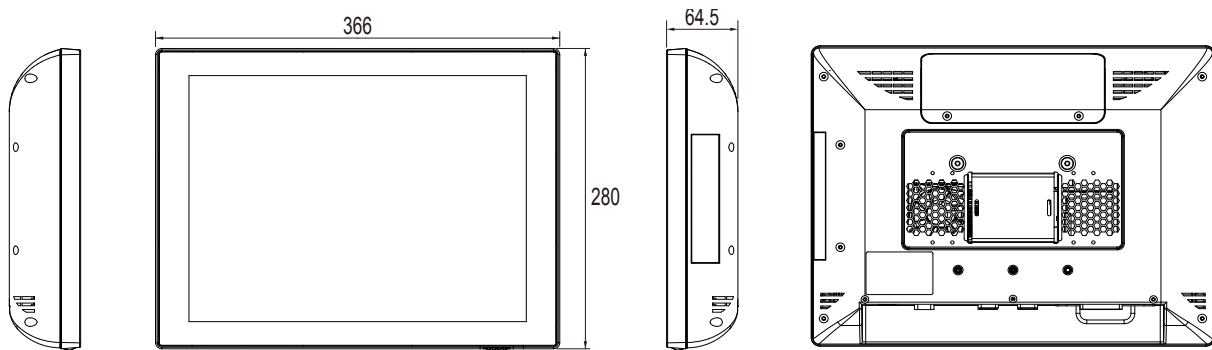
- CPU: Default: Intel® Pentium® Processor B950, 2C/2T, 2.10 GHz, 2MB Cache;
- Upgrade Optional:  
2nd Generation Intel® Core™ Mobile Processor: i7-2710QE, 4C/8T, 2.1GHz, 6MB Cache; i5-2510E, 2C/4T, 2.5GHz, 3MB Cache; i3-2330E, 2C/4T, 2.2GHz, 3MB Cache.  
Optional: Intel® Celeron® Processor B810, 2C/2T, 1.60 GHz, 2M Cache.

- BIOS: AMI BIOS
- System chipset: Intel® BD82HM65 Platform Controller Hub, BD82HM65, FCBGA 989
- System memory: 1x 204-pin DDR3 1333 SO-DIMM socket, 2GB DDR3 (default), optional two sockets support up to 8GB DDR3 1333, non-ECC and un-buffered
- Hard disk drive: One 2.5" 160GB SATA HDD, removable type
- Expansion: 1x mini-Card Socket for mini-PCIe and USB interface

### Rear I/O

- USB: 4x USB2.0 port
- COM: 4x DB-9 powered RS-232 port, adjust RI/ 5V/ 12V by BIOS setting
- Ethernet: 1x RJ-45, 10/ 100/ 1000 Mbps
- VGA: 1x DB-15 2nd VGA port
- Cash drawer: 1x RJ-11 port, support two cash drawers (24V, Max 1.1A)
- Parallel: 1x DB-25 printer port
- Audio: 1x Line-out jack
- DC-IN: 1x DC-19V input, mini-DIN 4 pin lock type
- DC-OUT: 1x DC-12V output for 2nd display power (12V, Max 3.0A)

## Dimension Drawing



### Ethernet

- LAN chip: Intel® PHY WG82579LM Gigabit LAN
- Ethernet interface: 10/ 100/ 1000 Based-TX Ethernet compatible

### Mechanical & Environment

- Color: Beige
- Mounting: desktop type, optional VESA 100 x 100mm wall-mount
- IP protection: front bezel complies with IP-65 protection standard
- Power input: DC-19V
- Power adapter: AC to DC power brick (DC-19V/ 6.315A, 120W)
- Operating temperature: 0°C to 40°C
- Storage temperature: -20°C to 60°C
- Operating humidity: 20%~80% relative humidity, non-condensing
- Dimension: 366mm(L) x 280mm(W) x 64.5mm(H)
- Weight: 5.0 kg

### Certifications

- CE approval
- FCC Class A

## Ordering Information

### ◆ KPPC 5852-010 (P/N: A0YK0585200X0)

CPU: Intel® Pentium® Processor B950, 2C/ 2T, 2.10 GHz, 2MB Cache;  
 LCD/ touch: 15" XGA 1024 x 768 250nits AUO G-grade/ PCT Zero Bezel Touch;  
 Memory: 2GB DDR3 SO-DIMM;  
 HDD: 160GB 2.5" SATA 5,400rpm;  
 Power: DC-19V/ 120W power brick;  
 Color: Beige;

### ◆ KPPC 5852-030 (P/N: A0YK0585201X0)

CPU: Intel® Pentium® Processor B950, 2C/ 2T, 2.10 GHz, 2MB Cache  
 LCD/ touch: 15" XGA 1024 x 768 250nits AUO G-grade/ PCT Zero Bezel Touch;  
 Memory: 2GB DDR3 SO-DIMM;  
 HDD: 160GB 2.5" SATA 5,400rpm;  
 Power: DC-19V/ 120W power brick;  
 Color: Black;