

# WMP-171S

## 17" Core 2 Duo Medical Panel PC



### Key Features

- 17" mid-range medical grade panel PC
- Anti-bacteria plastic housing and medical 60601-1 3<sup>rd</sup> edition certification
- Core 2 Duo 2.2G CPU / Intel GME965 + ICH8M chipset
- 17" 1280x1024 380 nits LCD & resistive touch panel
- Variable speed low noise fan and HDD anti-vibration design
- Mini PCI socket for internal WLAN
- Integrated 2 watts x 2 speakers
- Optional glass, Bluetooth, I/O cover & anti-bacteria desktop stand

### Main System

<b>CPU</b>	• Intel Core 2 Duo T7500 2.2GHz (dual core, 4MB L2 cache, 800MHz FSB) • Intel Celeron M550 2.0GHz (single core, 1MB L2 cache, 533MHz FSB) • Support PGA478 socket, 35W TDP (Max.)
<b>Chipset</b>	Intel GME965 + ICH8M
<b>Graphics</b>	GME965 integrated Media Accelerator X3100
<b>Memory</b>	4GB maximum, x 2 DDR2 SODIMM, 533/667/800MHz, 1GB/2GB/4GB
<b>Serial ATA</b>	SATA x 1, 150MB/s transfer rate
<b>USB</b>	USB 2.0, x 6 (x 4 external, x 2 internal)
<b>COM</b>	x 2 (external)
<b>Audio</b>	Realtek ALC268 audio codec, 2+2 watts amplifier
<b>LAN</b>	Realtek RTL8111B Gigabit Ethernet x 2
<b>BIOS</b>	• Award BIOS, 8M EEPROM • RTC wake up / Wake on LAN / Power on after power failure / PnP / ACPI
<b>Speaker</b>	2 watts x 2 (front bottom)

### Storage & Expansion

<b>HDD</b>	2.5" SATA HDD drive bay x 1 + anti-vibration kit, 160GB / 500GB
<b>Expansion slot</b>	Mini PCI x 1 (32-bit)

### I/O & Control Keys

<b>USB</b>	USB 2.0 x 4
<b>COM</b>	DB-9 x 2 (RS232, RS232/422/485)
<b>LAN</b>	RJ-45 x 2, Gigabit
<b>PS2</b>	X 2, PS2 keyboard & PS2 mouse
<b>Video-out</b>	DVI-D x 1, VGA DB-15 x 1
<b>Audio</b>	Line-in, Line-out, Microphone-in (3.5 mm phone-jack)
<b>Power input</b>	DC-in x 1, 12V~28V
<b>Control keys</b>	• Front side, membrane type • Power on/off, Brightness, Audio volume

### LCD Panel

<b>Size</b>	17" 5:4
<b>Resolution</b>	1280 x 1024 (SXGA)
<b>Brightness</b>	380 nits
<b>Contrast</b>	1000:1
<b>Color numbers</b>	16.7M (6-bit x 3 + FRC)
<b>Viewing angle</b>	170 (H) / 160 (V)
<b>Response time</b>	5 ms (R + F)
<b>Backlight</b>	CCFL x 2, 50,000 hours life time

### Touch Panel

<b>Technology</b>	Resistive touch, 5-wire
<b>Light transmittance</b>	81 ± 3%
<b>Hardness</b>	≥ 3H
<b>Touch stylus</b>	No limitation
<b>Resolution</b>	4096 x 4096
<b>Life time</b>	35 million activations

### Power

<b>Power adaptor</b>	External, 100 watts, 90~264V AC in, 12V DC out, medical grade, 1.2m DC cable
<b>Power consumption</b>	80 watts (typical, without any add-ons)

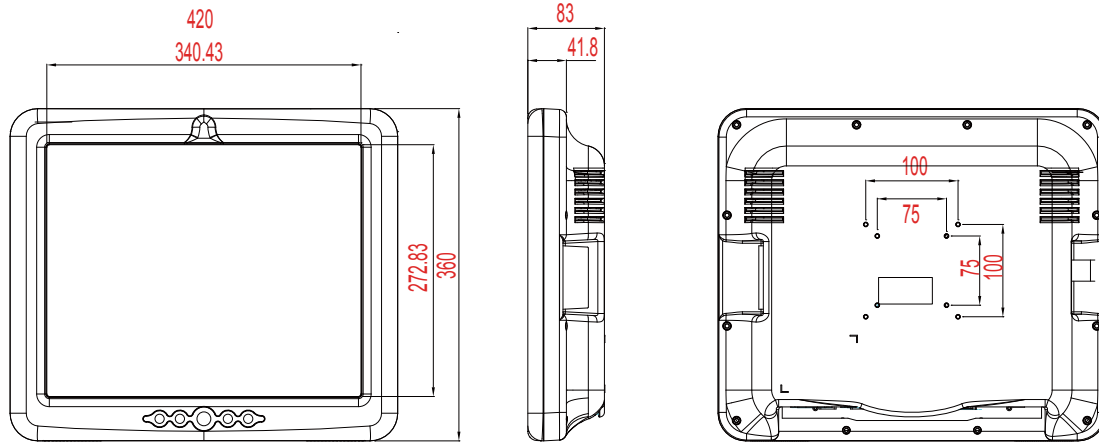
### Mechanical & Environmental

<b>Housing</b>	• Plastic front bezel, rear cover / White color • Antibacterial coating
<b>IP rating</b>	IP65 – front side
<b>Cooling</b>	Variable speed smart fan design, < 30 dB (typical)
<b>Mounting</b>	VESA 75 x 75 / 100 x 100 mm
<b>Kensington lock</b>	Yes, x 1 at bottom
<b>Dimension</b>	420 x 360 x 83 mm (W x H x D, w/o stand)
<b>Weight (net)</b>	6.0 Kg (approximate, w/o power adaptor)
<b>Temperature</b>	• Operating – 0°C~40°C . Storage – -20°C~60°C
<b>Humidity</b>	Operating & storage – 10%~90%, non-condensing
<b>Regulatory</b>	• FCC-B, cUL, CE, VCCI • Medical 60601-1 3 <sup>rd</sup> edition (EN 60601-1:2006, ANSI/AAMI ES60601-1:2005, CAN/CSA C22.2 No. 60601-1:08)

# WMP-171S

## 17" Core 2 Duo Medical Panel PC

### Outline Dimension

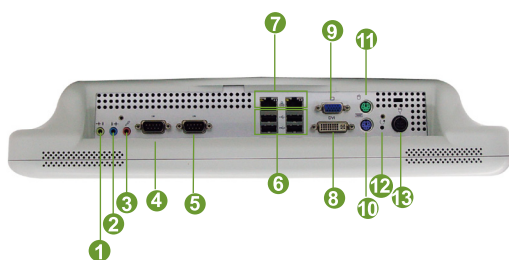


### Packaging / Options / Customization

- Packaging** System, power adaptor, AC power cord, CD (drivers & manual)
- Options**
- WLAN – 802.11 b/g/n mini PCI module w/ internal antenna x 2
  - Bluetooth 2.1 (USB)
  - I/O cover
  - Power adaptor w/ 2.4m or 3.6m DC cable
  - Anti-bacteria desktop stand (metal, white)
  - Change touch to glass



### I/O Connectors



- ① Line-out
- ② Line-in
- ③ Microphone in
- ④ RS232/422/485
- ⑤ RS232
- ⑥ USB x 4
- ⑦ Giga LAN x 2
- ⑧ DVD-D
- ⑨ VGA
- ⑩ PS2 keyboard
- ⑪ PS2 mouse
- ⑫ Reset
- ⑬ DC-in

### Ordering Information

- CPU: Core 2 Duo 2.2G / Celeron 2.0G
- Memory: 1G / 2G / 4G
- HDD: 160G / 500G
- I/O cover: None / x 1
- Power adaptor: 1.2m / 2.4m / 3.6m DC cable
- Bluetooth: None / x 1
- WLAN: None / x 1
- Desktop stand: None / x 1
- Touch: Yes / Change to glass



Web: [www.wincomm.com.tw](http://www.wincomm.com.tw)

Contact: [sales\\_support@wincomm.com.tw](mailto:sales_support@wincomm.com.tw)

#### Wincomm Corporation

3F, NO. 14, Prosperity Road II, Science-Based Industrial Park,  
Hsinchu, Taiwan 30078, R.O.C

Tel: +886 3 578 0000 Fax: +886 3 578 0295