

Features	
CHIPSET	Intel® H61 PCH
CPU	Intel® Core™ i7/i5/i3 Intel® Pentium®
MEMORY	2 DDR3 DIMM up to 16GB
EXPANSION	2 PCIe x16 (1 x16 and 1 x2 signal), 2 PCIe x1
DISPLAY OUTPUTS	1 HDMI, 1 DVI-I
LAN	2 Gigabit LAN
COM	2 COM
USB	10 USB 2.0
SATA	4 SATA 2.0
DIO	36-bit DIO

Specifications	
PROCESSOR	LGA 1155 socket for: - Intel® Core™ i7-2600 (3.4GHz, 95W) - Intel® Core™ i5-2400 (3.1GHz, 95W) - Intel® Core™ i3-2120 (3.3GHz, 65W) - Intel® Pentium® G850
CHIPSET	Intel® H61 Express Chipset
SYSTEM MEMORY	• Two 240-pin DDR3 DIMM sockets • Supports DDR3 1066/1333MHz • Supports dual channel memory interface • Supports up to 16GB system memory • DRAM device technologies: 1Gb, 2Gb and 4Gb DDR3 DRAM technologies are supported for x8 and x16 devices, unbuffered, non-ECC
EXPANSION SLOTS	• 2 PCIe x16 Gen 2 slots (PCIe 2.0) - 1 x16 signal and 1 x2 signal • 2 PCIe x1 slots (PCIe 2.0)
ONBOARD GRAPHICS FEATURES	• Intel® HD Graphics • Display ports: HDMI and DVI-I • HDMI and DVI-I display resolution up to 1920x1200 • Supports 6 Graphics Execution Units (EUs) • Intel® Clear Video Technology • DirectX Video Acceleration (DXVA) support for accelerating video processing
ONBOARD AUDIO FEATURES	• Realtek ALC262 2-channel High Definition Audio • DACs with 100dB SNR; two stereo DACs support 24-bit PCM format for stereo audio playback • ADCs with 90dB SNR; three stereo ADCs support 20-bit PCM format for multiple input streaming • S/PDIF audio interface
ONBOARD LAN FEATURES	• 1 Intel® W82579LM Gigabit Ethernet Phy • 1 Intel® W82574 PCI Express Gigabit Ethernet controller • Integrated 10/100/1000 transceiver • Fully compliant with IEEE 802.3, IEEE 802.3u, IEEE 802.3ab • Supports wire management
SERIAL ATA (SATA) INTERFACE	• 4 SATA 2.0 ports with data transfer rate up to 3Gb/s
TRUSTED PLATFORM MODULE (TPM) - optional	• Infineon SLB9635 • Provides a Trusted PC for secure transactions • Provides software license protection, enforcement and password protection

- REAR PANEL I/O PORTS**
- 2 DB-9 serial ports
- Supports RS232/422/485 (RS232 and/or Power)
 - 1 DVI-I port
 - 1 HDMI port
 - 2 RJ45 LAN ports
 - 6 USB 2.0/1.1 ports

- I/O CONNECTORS**
- 2 connectors for 4 external USB 2.0/1.1 ports
 - 1 PS/2 KB/Mouse connector
 - 1 36-bit Digital I/O connector
 - 1 front audio connector for line-out and mic-in jacks
 - 1 S/PDIF connector
 - 4 Serial ATA ports
 - 1 24-pin ATX power connector
 - 1 8-pin 12V power connector
 - 1 chassis intrusion connector
 - 1 front panel connector
 - 2 fan connectors

- BIOS**
- AMI BIOS
 - 64Mbit SPI BIOS

- ENERGY EFFICIENT DESIGN**
- Supports ErP Lot6 power saving (optional)
 - Supports ACPI
 - System Power Management
 - Wake-On-Events include:
- Wake-On-PS/2 KB/Mouse
- Wake-On-USB KB/Mouse
- Wake-On-LAN
- RTC timer to power-on the system
 - CPU stopped clock control
 - AC power failure recovery

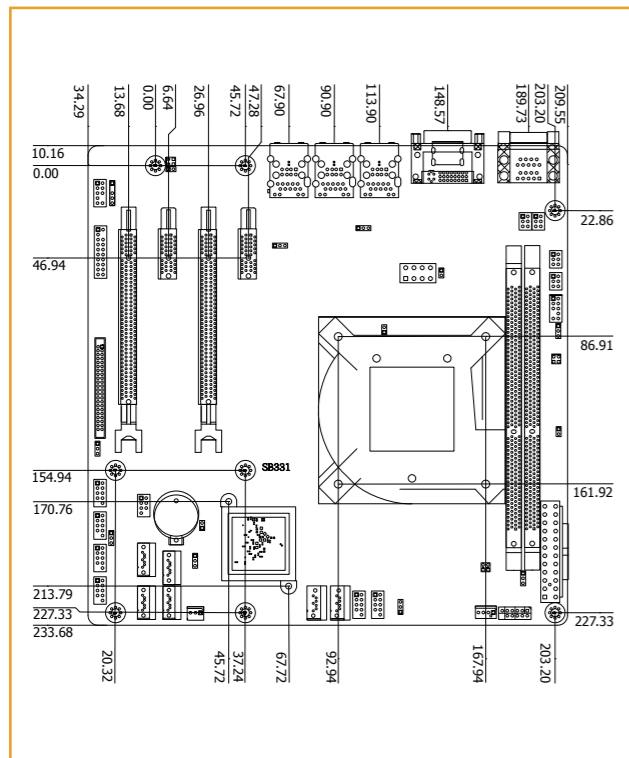
- DAMAGE FREE INTELLIGENCE**
- Monitors CPU/system temperature and overheat alarm
 - Monitors Vcore/5V/3.3V/V_DIMM/12V/5VSB voltages and failure alarm
 - Monitors CPU/system fan speed and failure alarm
 - Read back capability that displays temperature, voltage and fan speed
 - Watchdog timer function

- TEMPERATURE**
- Operating: 0°C to 60°C
 - Storage: -20°C to 85°C

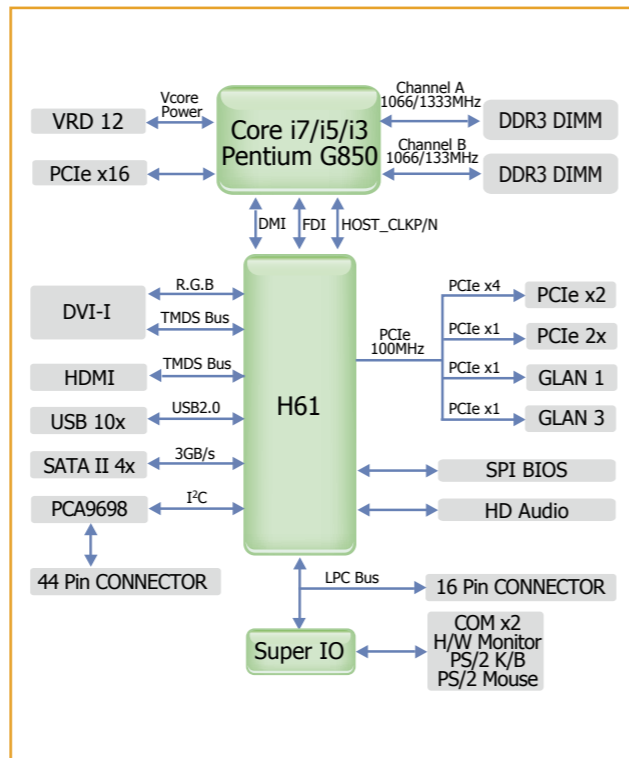
- HUMIDITY**
- 10% to 90%

- DIMENSIONS**
- microATX form factor
 - 244mm (9.6") x 244mm (9.6")

Mechanical Drawing



Block Diagram



- ### Packing List
- 1 SB331-D motherboard
 - 2 Serial ATA data cables
 - 2 USB port cables (with bracket)
 - 1 COM port cable (with bracket)
 - 1 I/O shield
 - 1 DVD
 - 1 QR (Quick Reference)

- ### Optional Items
- USB port cable
 - COM port cable
 - Serial ATA data cable
 - Serial ATA power cable
 - PS/2 Keyboard/Mouse cable