



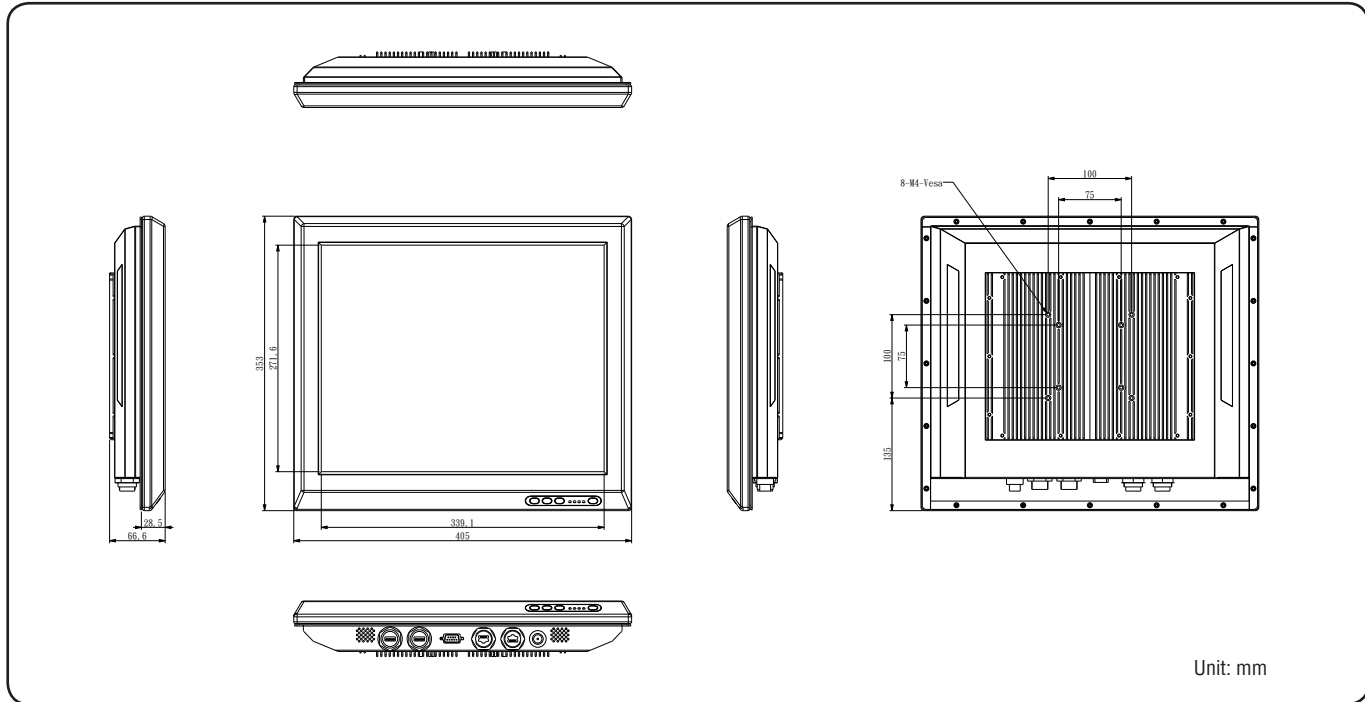
Features

- Water Proof Solution, Full IP-65 Rating
- Stainless Housings Chassis and Aluminum Heatsink Design
- SPC-1705: Intel® Atom™ D525 Dual Core 1.8GHz CPU
SPC-1707: Intel® Atom™ D2550 1.86GHz CPU
SPC-17A4: AMD eOntario T40E 1.0 GHz CPU
- 1 Gigabit Ethernet, 1 COM, 3 USB
- 1 Membrane Power Button & Programmable Function Keys
- Wide Voltage +12V ~ +26V Input, ErP Power
- Power-on Timer

Specifications

Model Name	SPC-1705	SPC-1707	SPC-17A4
• LCD Size	17", 4:3	17", 4:3	17", 4:3
• Resolution	1280 x 1024, SXGA	1280 x 1024, SXGA	1280 x 1024, SXGA
• Pixel Pitch	0.264mm (H) x 0.264mm (V)	0.264mm (H) x 0.264mm (V)	0.264mm (H) x 0.264mm (V)
• Luminance	380cd/m ²	380cd/m ²	380cd/m ²
• Contrast Ratio	1000	1000	1000
• Viewing Angle	80 (U), 80 (D), 85 (L), 85 (R)	80 (U), 80 (D), 85 (L), 85 (R)	80 (U), 80 (D), 85 (L), 85 (R)
• Response Time	5ms	5ms	5ms
• Backlight	CCFL	CCFL	CCFL
• Touch Screen	5-wire Resistive	5-wire Resistive	5-wire Resistive
• Light Transmission	80%	80%	80%
• Touch Interface	USB Touch Control Board EETI	USB Touch Control Board EETI	USB Touch Control Board EETI
System			
• Board	EBM-PNV	EBM-CDV	EBM-A50M
• CPU	Onboard Intel® Atom™ D525 Dual Core 1.8GHz CPU	Onboard Intel® Atom™ D2550 1.86GHz CPU	Onboard AMD eOntario T40E 1.0GHz CPU
• System Chipset	Intel® ICH8-M Chipset	Intel® NM10 Chipset	AMD A50M Chipset
• I/O Chip	Nuvoton W83627DHG-P	E/C IT8518E	Nuvoton W83627DHG-P
• System Memory	Onboard 1GB SDRAM and One SODIMM Supports Up to 3GB DDR3 800MHz SDRAM	One 204-pin SODIMM Supports Up to 4GB DDR3 1066MHz SDRAM	Onboard 2GB DDR3 and One 204-pin SODIMM Supports Up to 4GB DDR3 1066MHz SDRAM
• Storage	One Type I/II Compact Flash Socket One 2.5" HDD Bay	One Type I/II Compact Flash Socket One 2.5" HDD Bay	One Type I/II Compact Flash Socket One 2.5" HDD Bay
• Watchdog Timer	Reset: 1sec. ~ 255min. and 1sec. or 1min./step	Reset: 1sec. ~ 255min. and 1sec. or 1min./step	Reset: 1sec. ~ 255min. and 1sec. or 1min./step
• H/W Status Monitor	Monitoring System Temperature, Voltage, and Cooling Fan Status. with Auto Throttling Control	Monitoring System Temperature, Voltage, and Cooling Fan Status. with Auto Throttling Control	Monitoring System Temperature, Voltage, and Cooling Fan Status. with Auto Throttling Control
• Expansion	2 x Mini PCIe Slots	1 x Mini PCIe Slot, Optional Supports mSATA	2 x Mini PCIe Slots
Rear I/O			
• Serial Port	1 x RS-232 (Water Proof, IP-67 Rating)	1 x RS-232 (Water Proof, IP-67 Rating)	1 x RS-232 (Water Proof, IP-67 Rating)
• Ethernet	1 x RJ-45 (Water Proof, IP-67 Rating) (Intel® 82574L Gigabit Ethernet, Optional Dual 82574L Gigabit Ethernet)	1 x RJ-45 (Water Proof, IP-67 Rating) (Intel® 82574L Gigabit Ethernet, Optional Dual 82574L Gigabit Ethernet)	1 x RJ-45 (Water Proof, IP-67 Rating) (Realtek RTL8111E Ethernet, Supports Wake on LAN)
• USB	3 x USB 2.0 (Water Proof, IP-67 Rating)	3 x USB 2.0 (Water Proof, IP-67 Rating)	3 x USB 2.0 (Water Proof, IP-67 Rating)
• Power Switch	1 x Membrane Power Button	1 x Membrane Power Button	1 x Membrane Power Button
• Power Input	1 x DC-in (Water Proof, IP-67 Rating)	1 x DC-in (Water Proof, IP-67 Rating)	1 x DC-in (Water Proof, IP-67 Rating)
• Speaker	2 x 2W Speaker	2 x 2W Speaker	2 x 2W Speaker

Diagram



Environment & Mechanical

• Color	Front & Rear Panel Silver
• Mounting	VESA/ Wall/ Stand 75mm x 75mm & 100mm x 100mm
• System Power Requirement	+12 ~ 26V DC Power Input
• Power Adapter	Input: 100 ~ 250VAC/ 47 ~ 63Hz Output: 60W Adapter (24V @ 2.5A Adapter)
• Operating Temperature	0 ~ 40°C (32 ~ 104°F)
• Storage Temperature	-20 ~ 60°C (-4 ~ 140°F)
• Relative Humidity	5% ~ 90% Relative Humidity, Non-condensing
• Dimensions (W x D x H)	405mm x 353mm x 66.6mm
• Weight	7.5Kgs

Ordering Information

- **SPC-1705**
17" SXGA TFT Touch Panel PC with Intel® Atom™ D525 Dual Core 1.8GHz CPU
- **SPC-1707**
17" SXGA TFT Touch Panel PC with Intel® Atom™ D2550 1.86GHz CPU
- **SPC-17A4**
17" SXGA TFT Touch Panel PC with AMD eOntario T40E Dual-Core 1.0GHz CPU
- **ACC-SPC-WIFI-1R**
MPCle WiFi 802.11 b/g/n Module w/ Antenna, Cable
- **ACC-ARM-D1R**
VESA Stand, 75 & 100mm
- **ACC-ARM-D8R**
Wall Mount Bracket VESA 75 & 100mm
- **ACC-ARM-D19R**
L Type Stylish Table Stand VESA 75 & 100mm
- **ACC-CF-XX**
CompactFlash Card Series (xx=Capacity, Capacity Option: 1, 2, 4, 8, 16, 32GB)

1
LPC Series

2
SPC Series

3
FPC Series

4
PPC Series

5
APC Series

6
BPC Series

7
UPC Series

8
MPC Series

9
OPM Series

10
AID Series

11
MTP Series

12
OPC Series

13
RISC

14
Accessories