

SPC-12 Series

Full IP-65 Stainless Steel Chassis
Fanless Touch Panel PC



Features

- Water Proof Solution, Full IP-65 Rating
- Stainless and Aluminum Housings Chassis Design
- SPC-1205: Intel® Atom™ D525 Dual Core 1.8GHz CPU
SPC-1207: Intel® Atom™ D2550 1.86GHz CPU
SPC-12A4: AMD eOntario T40E 1.0 GHz CPU
- 1 Gigabit Ethernet, 1 COM, 3 USB
- 1 Membrane Power Button
- Wide Voltage +12V ~ +28V Input, ErP Power
- Backlight Controlled by PWM/ BIOS/ API.
- Power-on Timer



Specifications

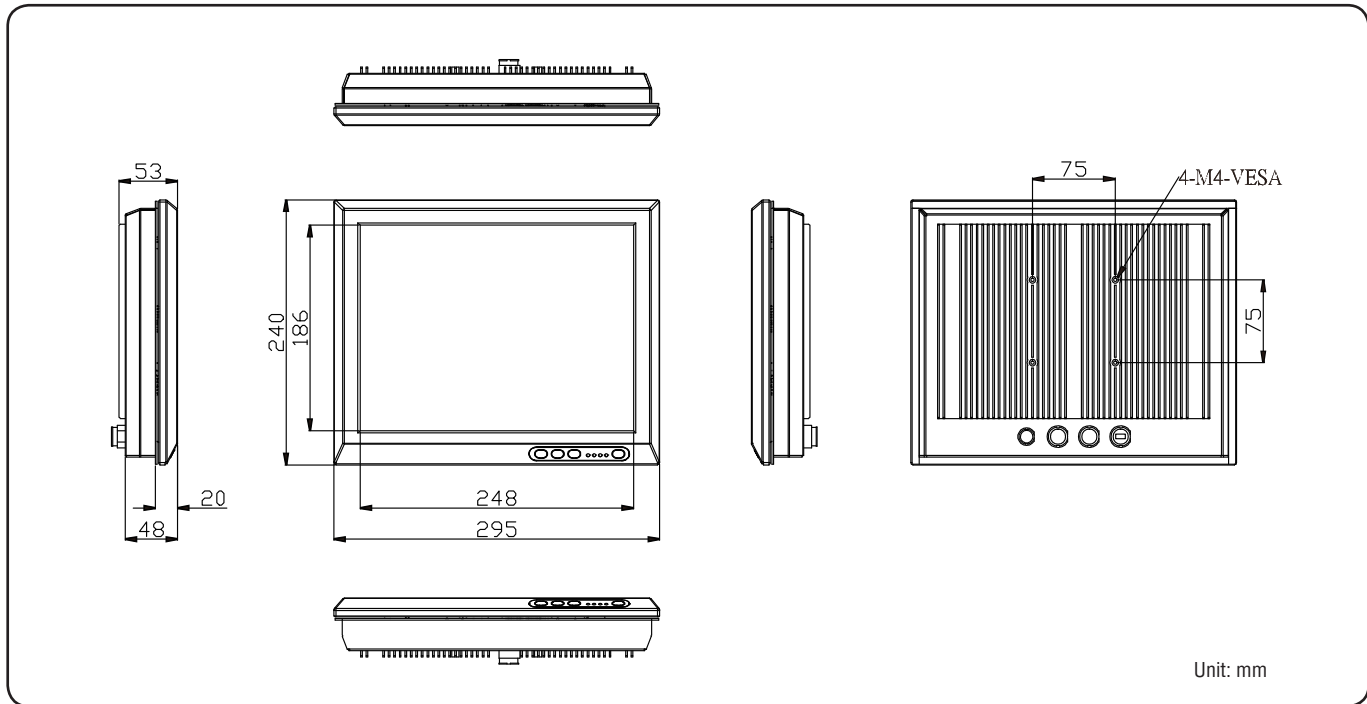
Model Name	SPC-1205	SPC-1207	SPC-12A4
• LCD Size	12.1", 4:3	12.1", 4:3	12.1", 4:3
• Resolution	1024 x 768, XGA	1024 x 768, XGA	1024 x 768, XGA
• Pixel Pitch	0.240mm (H) x 0.240mm (V)	0.240mm (H) x 0.240mm (V)	0.240mm (H) x 0.240mm (V)
• Luminance	600cd/m ²	600cd/m ²	600cd/m ²
• Contrast Ratio	700	700	700
• Viewing Angle	70 (U), 70 (D), 80 (L), 80 (R)	70 (U), 70 (D), 80 (L), 80 (R)	70 (U), 70 (D), 80 (L), 80 (R)
• Response Time	16ms	16ms	16ms
• Backlight	LED	LED	LED
• Touch Screen	5-wire Resistive	5-wire Resistive	5-wire Resistive
• Light Transmission	80%	80%	80%
• Touch Interface	USB	USB	USB
System			
• Board	EBM-PNV	EBM-CDV	EBM-A50M
• CPU	Onboard Intel® Atom™ D525 Dual Core 1.8GHz CPU	Onboard Intel® Atom™ D2550 1.86GHz CPU	Onboard AMD eOntario T40E 1.0GHz CPU
• System Chipset	Intel® ICH8-M Chipset	Intel® NM10 Chipset	AMD A50M Chipset
• I/O Chip	Nuvoton W83627DHG-P	E/C IT8518E	Nuvoton W83627DHG-P
• System Memory	Onboard 1GB SDRAM and One SODIMM Supports Up to 3GB DDR3 800MHz SDRAM	One 204-pin SODIMM Supports Up to 4GB DDR3 1066MHz SDRAM	Onboard 2GB DDR3 and One 204-pin SODIMM Supports Up to 4GB DDR3 1066MHz SDRAM
• SSD	One CF Socket by IDE Secondary Slave Channel Supports Type I/II Compact Flash Card	One CF Socket by IDE Secondary Slave Channel Supports Type I/II Compact Flash Card	One CF Socket by IDE Secondary Slave Channel Supports Type I/II Compact Flash Card
• Hard Driver Bay	One 2.5" SATA HDD	One 2.5" SATA HDD	One 2.5" SATA HDD
• Watchdog Timer	Reset: 1sec. ~ 255min. and 1sec. or 1min./step	Reset: 1sec. ~ 255min. and 1sec. or 1min./step	Reset: 1sec. ~ 255min. and 1sec. or 1min./step
• H/W Status Monitor	Monitoring System Temperature, Voltage, and Cooling Fan Status. with Auto Throttling Control	Monitoring System Temperature, Voltage, and Cooling Fan Status. with Auto Throttling Control	Monitoring System Temperature, Voltage, and Cooling Fan Status. with Auto Throttling Control
• Expansion	2 x Mini PCIe Slot	1 x Mini PCIe Slot, Optional Supports mSATA	2 x Mini PCIe Slot
Rear I/O			
• Serial Port	1 x RS-232 (Water Proof, IP-67 Rating)	1 x RS-232 (Water Proof, IP-67 Rating)	1 x RS-232 (Water Proof, IP-67 Rating)
• Ethernet	1 x RJ-45 (Water Proof, IP-67 Rating) (Intel® 82574L Gigabit Ethernet, Optional Dual 82574L Gigabit Ethernet)	1 x RJ-45 (Water Proof, IP-67 Rating) (Intel® 82574L Gigabit Ethernet, Optional Dual 82574L Gigabit Ethernet)	1 x RJ-45 (Water Proof, IP-67 Rating) (Realtek RTL8111E Ethernet, Supports Wake on LAN)
• USB	3 x USB 2.0 (Water Proof, IP-67 Rating)	3 x USB 2.0 (Water Proof, IP-67 Rating)	3 x USB 2.0 (Water Proof, IP-67 Rating)
• Power Switch	1 x Membrane Power Button	1 x Membrane Power Button	1 x Membrane Power Button
• Power Input	1 x DC-in (Water Proof, IP-67 Rating)	1 x DC-in (Water Proof, IP-67 Rating)	1 x DC-in (Water Proof, IP-67 Rating)



SPC-12 Series

Full IP-65 Stainless Steel Chassis
Fanless Touch Panel PC

Diagram



Environment & Mechanical

• Color	Front & Rear Panel Silver
• Mounting	VESA/ Wall/ Stand 75mm x 75mm & 100mm x 100mm
• System Power Requirement	+12 ~ 28V DC Power Input
• Power Adapter	Input: 100 ~ 250VAC/ 47 ~ 63Hz Output: 60W Adapter (12V @ 5A Adapter)
• Operating Temperature	0 ~ 40°C (32 ~ 104°F)
• Storage Temperature	-20 ~ 60°C (-4 ~ 140°F)
• Relative Humidity	5% ~ 90% Relative Humidity, Non-condensing
• Dimensions (W x D x H)	295mm x 240mm x 53mm
• Weight	4.23Kgs

1
LPC
Series

2
APC
Series

3
PPC
Series

4
FPC
Series

5
MPC
Series

6
OPM
Series

7
SPC
Series

8
MTP
Series

9
RISC
Series

10
ACC

Ordering Information

- **SPC-1205**
12" XGA TFT Touch Panel PC with Intel® Atom™ D525 Dual Core 1.8GHz CPU
- **SPC-1207**
12" XGA TFT Touch Panel PC with Intel® Atom™ D2550 1.86GHz CPU
- **SPC-12A4**
12" XGA TFT Touch Panel PC with AMD eOntario T40E Dual-Core 1.0GHz CPU
- **ACC-SPC-WIFI-1R**
MPCle WiFi 802.11 b/g/n Module w/ Antenna, Cable
- **ACC-ARM-D21R**
VESA Desk Stand, 75 & 100mm
- **ACC-ARM-D8R**
Wall Mount Bracket VESA 75 & 100mm
- **ACC-CF-XX**
CompactFlash Card Series (xx=Capacity, Capacity Option: 128, 256, 512MB, 1, 2, 4, 8GB)