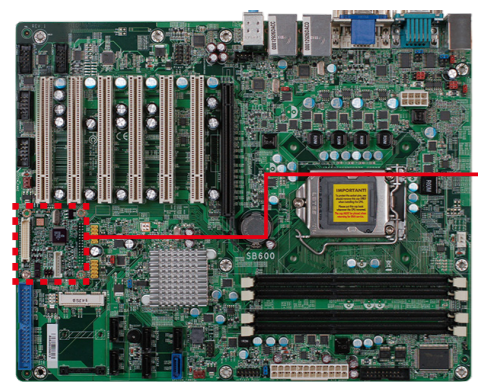
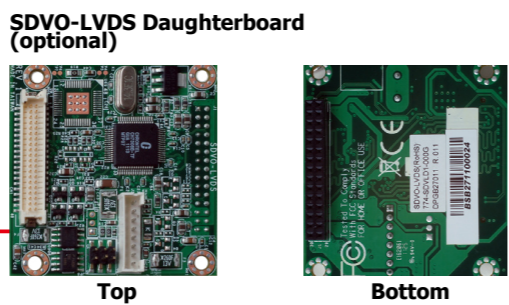


SB600-C+ SDVO-LVDS

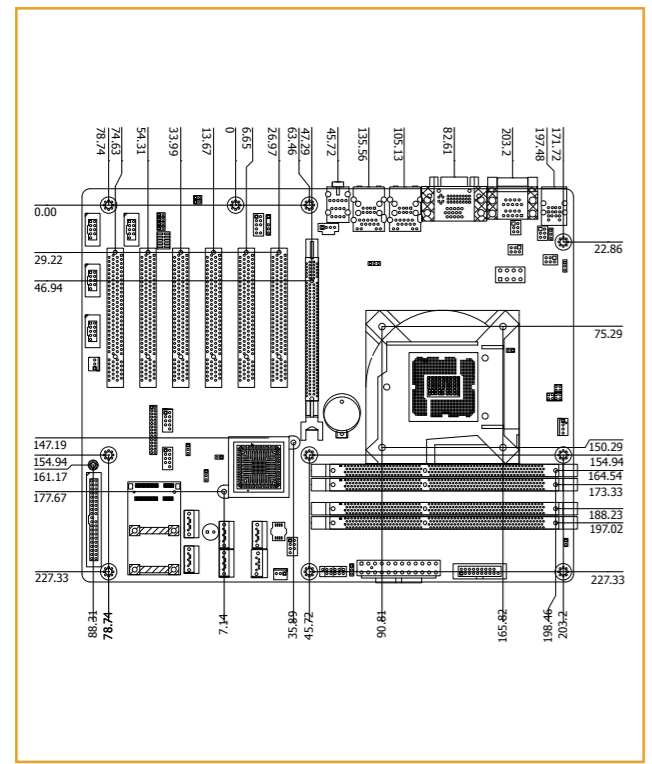


- ### Features
- CHIPSET**
CPU: **Intel® B65 PCH**
 - MEMORY**
CPU: **Intel® Core™ i7/i5/i3**
Intel® Pentium®
 - EXPANSION**
4 **DDR3 DIMM up to 32GB**
 - DISPLAY OUTPUTS**
1 **PCIe x16, 1 Mini PCIe x1, 6 PCI**
 - LAN**
2 **Gigabit LAN**
 - COM**
6 **COM**
 - USB**
10 **USB 2.0**
 - SATA**
6 **SATA (1 SATA 3.0 and 5 SATA 2.0)**
 - DIO**
8-bit **DIO**

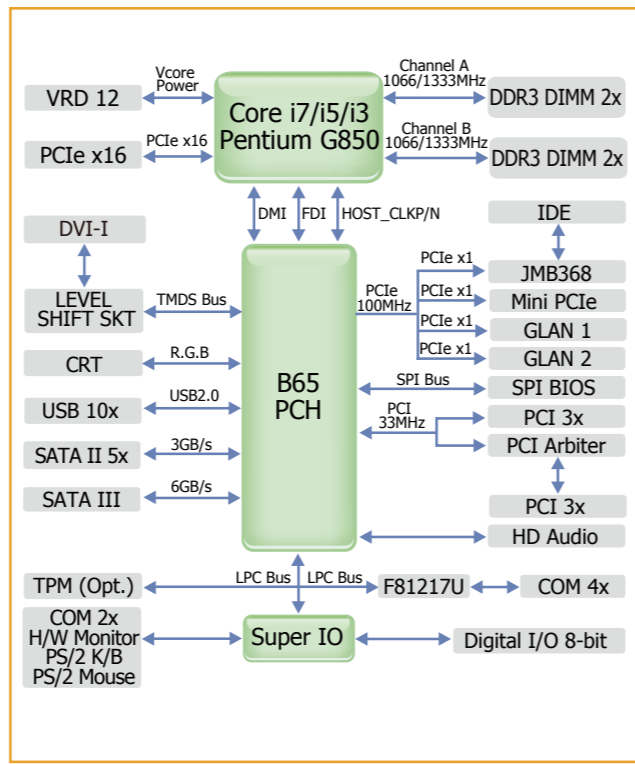


- ### SDVO-LVDS Daughterboard (optional)
- I/O PORTS**
 - Chrontel CH7308B
 - Supports 18/24-bit 1600x1200 LVDS panel
 - 1 LVDS LCD panel connector
 - 1 LCD/Inverter power connector
 - SDVO interface
 - Supports dimming control via hot keys
 - DIMENSIONS**
 - 45mm (1.77") x 38mm (1.49")

Mechanical Drawing



Block Diagram



Specifications

- #### PROCESSOR
- LGA 1155 socket for:
 - Intel® Core™ i7-2600 (3.4GHz, 95W)
 - Intel® Core™ i5-2400 (3.1GHz, 95W)
 - Intel® Core™ i3-2120 (3.3GHz, 65W)
 - Intel® Pentium® G850
 - New microarchitecture on 32nm process technology
 - Intel® Advanced Vector Extensions (Intel® AVX) Instructions
 - Intel® Turbo Boost Technology

- #### CHIPSET
- Intel® B65 PCH (Platform Controller Hub)

- #### SYSTEM MEMORY
- Four 240-pin DDR3 DIMM sockets
 - Supports DDR3 1066/1333MHz
 - Supports dual channel memory interface
 - Supports up to 32GB system memory
 - DRAM device technologies: 1Gb, 2Gb and 4Gb DDR3 DRAM technologies are supported for x8 and x16 devices, unbuffered, non-ECC

- #### EXPANSION SLOTS
- 1 PCIe x16 slot (PCIe 2.0)
 - 1 Mini PCIe x1 slot (PCIe 2.0)
 - 6 PCI slots (PCI 2.3)

- #### ONBOARD GRAPHICS FEATURES
- Intel® HD Graphics
 - Display ports: DVI-I (DVI-D signal) and VGA
 - DVI-I supports up to 1920x1200 @ 60Hz resolution
 - VGA supports up to 2048x1536 @ 75Hz resolution
 - Supports 6 Graphics Execution Units (EUs)
 - Intel® Clear Video Technology
 - DirectX Video Acceleration (DXVA) support for accelerating video processing

- #### ONBOARD AUDIO FEATURES
- Realtek ALC886 5.1-channel High Definition Audio
 - Audio outputs: Mic-in/Center+Subwoofer, line-in/surround and line out
 - S/PDIF audio interface

- #### ONBOARD LAN FEATURES
- 2 Realtek RTL8111DL PCI Express Gigabit Ethernet controllers
 - Integrated 10/100/1000 transceiver
 - Fully compliant with IEEE 802.3, IEEE 802.3u, IEEE 802.3ab
 - Supports wire management

- #### SERIAL ATA (SATA) INTERFACE
- 6 Serial ATA ports
 - 5 SATA 2.0 ports with data transfer rate up to 3Gb/s
 - 1 SATA 3.0 port with data transfer rate up to 6Gb/s
 - Integrated Advanced Host Controller Interface (AHCI) controller

- #### TRUSTED PLATFORM MODULE (TPM) - optional
- Provides a Trusted PC for secure transactions
 - Provides software license protection, enforcement and password protection

- #### BIOS
- AMI BIOS
 - 64Mbit SPI BIOS

Packing List

- 1 SB600-C motherboard
- 2 Serial ATA data cables
- 2 USB port cables (with bracket)
- 2 COM port cables (with bracket)
- 1 IDE cable
- 1 I/O shield
- 1 DVD
- 1 QR (Quick Reference)

- #### REAR PANEL I/O PORTS
- 1 mini-DIN-6 port for PS/2 mouse/keyboard
 - 2 DB-9 serial ports
 - Supports RS232/422/485 (RS232 and/or Power)
 - 1 DB-15 VGA port
 - 1 DVI-I port (DVI-D signal)
 - 2 RJ45 LAN ports
 - 6 USB 2.0/1.1 ports
 - Line-in/Surround, Line out, Mic-in/Center+Subwoofer jacks

- #### I/O CONNECTORS
- 2 connectors for 4 external USB 2.0/1.1 ports
 - 4 connectors for 4 external RS232 serial ports
 - 1 SDVO connector for the optional SDVO-LVDS daughterboard
 - 1 8-bit Digital I/O connector
 - 1 front audio connector for line-out and mic-in jacks
 - 1 CD-in connector
 - 1 S/PDIF connector
 - 6 Serial ATA ports
 - 1 IDE connector
 - 1 24-pin ATX power connector
 - 1 8-pin 12V power connector
 - 1 chassis intrusion connector
 - 1 front panel connector
 - 3 fan connectors

- #### ENERGY EFFICIENT DESIGN
- Supports ErP Lot6 power saving (optional)
 - Supports ACPI
 - System Power Management
 - Wake-On-Events include:
 - Wake-On-PS/2 KB/Mouse
 - Wake-On-USB KB/Mouse
 - Wake-On-LAN
 - RTC timer to power-on the system
 - CPU stopped clock control
 - AC power failure recovery

- #### DAMAGE FREE INTELLIGENCE
- Monitors CPU/system temperature and overheat alarm
 - Monitors Vcore/5V/3.3V/V_DIMM/12V/5VSB voltages and failure alarm
 - Monitors CPU/system fan speed and failure alarm
 - Read back capability that displays temperature, voltage and fan speed
 - Watchdog timer function

- #### TEMPERATURE
- Operating: 0°C to 60°C
 - Storage: -20°C to 85°C

- #### HUMIDITY
- 10% to 90%

- #### DIMENSIONS
- ATX form factor
 - 305mm (12") x 244mm (9.6")

Optional Items

- SDVO-LVDS daughterboard
- USB port cable
- COM port cable
- Serial ATA data cable
- Serial ATA power cable
- PS/2 Keyboard/Mouse cable