

Devolinx STE-604C

Industrial 4-Port RS-232/422/485 to 2-Port 10/100TX Device Server

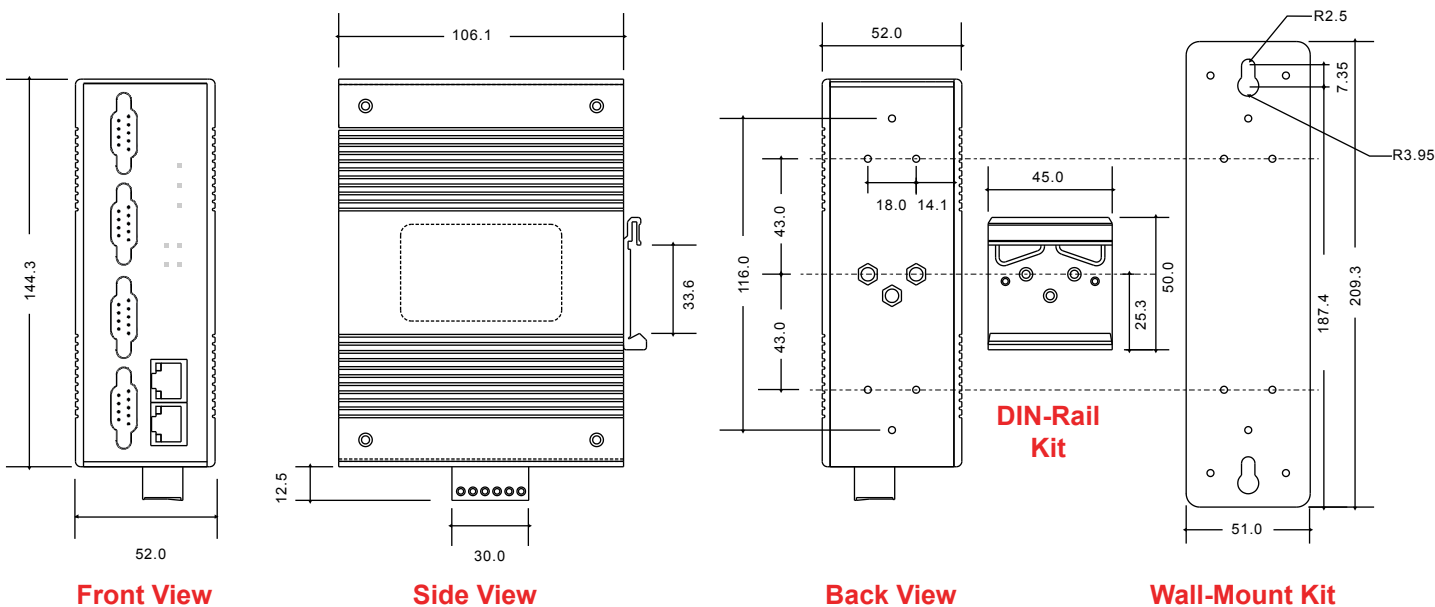


Features

- ▶ Redundant Dual Ethernet Ports: Recovery Time < 10ms
- ▶ Switch Mode Support: Daisy Chain to Reduce Usage of Switch ports
- ▶ Dual IP Support: One for LAN and One for WAN
- ▶ NAT-Pass Through: User Can Manage Through NAT Router
- ▶ Redundant Power Inputs: 12 ~ 48VDC on Terminal Block
- ▶ Redundant multiple host devices:
5 simultaneous in Virtual COM, TCP Server, TCP Client mode, UDP
- ▶ Secured Management by HTTPS and SSH
- ▶ Event Warning by Syslog, Email, SNMP trap, and Beeper
- ▶ 5-Year Warranty



▶ Dimensions (unit = mm)



► Specifications

Ethernet Port

2 x 10/100BaseT(X) Ports in RJ-45 Auto MDI/MDI-X

Power over Ethernet (P.O.E.) - STE-604C-P Only

Present at ETH2

Power Device (IEEE 802.3af):

- IEEE 802.3af Compliant Input Interface
- Power Consumption: 8 Watts Max.
- Overload & Short Circuit Protection
- Isolation Voltage: 1000 VDC Min.
- Isolation Resistance: 10⁸ ohms Min.

Serial Connectors

4 x DB9

Operation Mode

RS-232 / RS-422 / 4(2)-Wire RS-485

Serial Baud Rate

110 bps to 460.8 Kbps

Data Bits

5, 6, 7, 8

Parity

odd, even, none, mark, space

Stop Bits

1, 1.5, 2

RS-232

TxD, RxD, RTS, CTS, DTR, DSR, DCD, RI, GND

RS-422

Tx+,Tx-, Rx+, Rx-,GND

RS-485 (4-Wire)

Tx+,Tx-, Rx+, Rx-,GND

RS-485 (2-Wire)

Data+, Data-,GND

Flow Control

XON/XOFF, RTS/CTS, DTR/DSR

LED

PWR 1(2)/Ready, Link/ACT, Serial TX/RX

Power (Redundant Input)

Dual DC Inputs

12 ~ 48VDC in 6-Pin Terminal Block

Power Consumption (Typ.)

5.5 Watts

Overload Current Protection

Present

Reverse Polarity Protection

Present

Operation Temperature

-30° C to 70° C (-22° F to 158° F)

Operation Humidity

5% to 95% (Non-condensing)

Storage Temperature

-40° C to 85° C (-40° F to 185° F)

Casing/Enclosure

IP30 Protection

Dimension (W x H x D)

52 x 144 x 106 mm (2.05 x 5.67 x 4.17 in.)

Weight (g)

STE-604C: 678 g

STE-604CP: 682 g

EMI

FCC Part 15, CISPR (EN55022) Class A

EMS

CE EN61000-4-2/EN61000-4-3/EN61000-4-4/EN61000-4-5/EN61000-4-6
/EN61000-4-8/EN61000-4-11

Stability Testing

Shock: IEC60068-2-27

Free Fall: IEC60068-2-32

Vibration: IEC60068-2-6

Safety

EN60950

Warranty

5-Year Warranty

► Ordering Information

STE-604C
STE-604C-P

Industrial 4-Port RS-232/422/485 to 2-Port 10/100TX Device Server
Industrial 4-Port RS-232/422/485 to 2-Port 10/100TX Device Server w/ 1-Port PoE

Optional Accessories

DR-4524
DR-75-24
DR-120-24

45W 24VDC Industrial DIN Rail Power Supply
75W 24VDC Industrial DIN Rail Power Supply
120W 24VDC Industrial DIN Rail Power Supply

Aaxeon Technologies

445 Capricorn St.
Brea, CA 92821
USA

Toll-Free: (877) AAXEON5 (229-3665)
Phone: (714) 671-9000
FAX: (714) 671-9944
e-Mail: info@aaxeon.com

aaxeon
www.aaxeon.com