

10.4" Marine Bridge System Display

Model # R10L100-MRM2

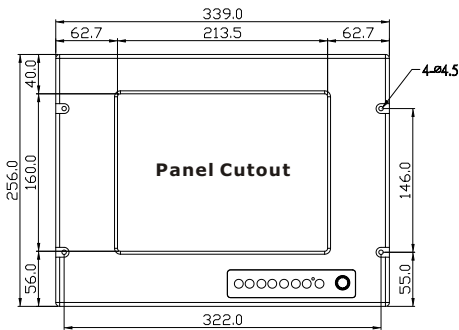


Features:

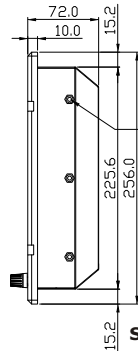
- **Hyper Dimming** : Dimming knob control backlight brightness from nearly 0% to 100%
- **Sunlight Readable** : Transflective film technology enhance visibility
- **Anti-Corrosion & IP Proof** : IP65 aluminum housing with powder coating design (IP54 rear)
- **Wide Voltage Range Input** : 24V DC to DC power input acceptable (Isolation Resistance)
- **Touchscreen/ Protection Glass** : High quality touchscreen / AR protection glass for option
- **Multiscan Function** : PIP(picture in picture) function and multi-video inputs
- **IP65 OSD Front Panel Design** : Ease of use front panel OSD control
- **Anti-Shock and Vibration** : Enhanced shock and vibration resistance



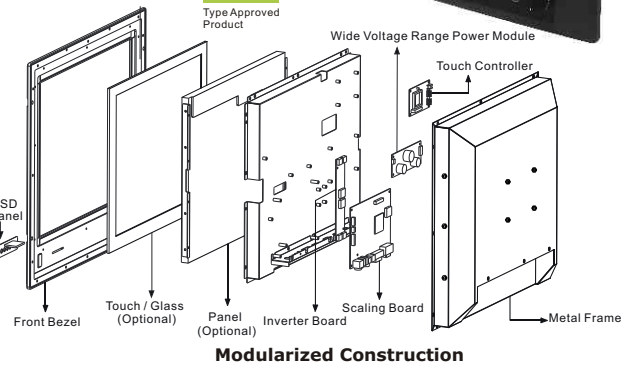
Mechanical Design Drawings



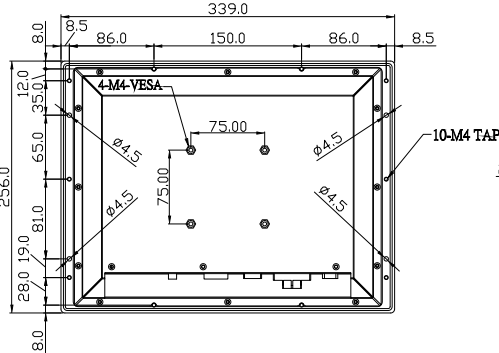
Front View



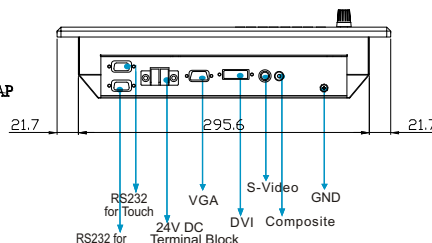
Side View



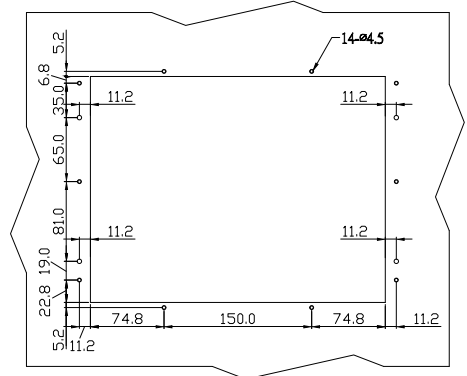
Modularized Construction



Rear View



Bottom View



All Dimensions are ±0.5 mm

* Note: this is a simplified drawing and some components are not marked in detail. Please contact our sales representative if you need further product information.

TFT Characteristics:

- Pixel Number : 800 x 600
- Pixel Pitch(RGB) : 0.264(H) x 0.264(V)
- Contrast Ratio : 500 : 1(typ.)
- Light Intensity : 400 cd/m² (typ.)
- Viewable Angles : -70~70(H);-60~50(V)
- Active Display Area : 211.2(H) x 158.4(V) mm
- Max Colors : 16.7M (8bit/colors)

Input Signals:

- RGB Signal : D-SUB 15P connector(female)
- Composite Video : RCA phono plug
- S-Video Signal : S-Video (SVHS) plug
- DVI-D Signal : DVI-D input 24pin connector
- DC Power Signal : Screw terminal block
- AC Power Signal (optional) : Std IEC Inlet
- Touch Screen (Optional) : D-SUB 9P connector (female)
- Remote via RS-232(Optional) : D-SUB 9P connector (female)

Certification and Approvals : IEC 60945, DVN 2.4, IACS-E10
DNV Type Approval, CE, FCC

User Controls:

- Power On/Off via Front Button
- VR Brightness Knob Control
- Power Mode Status LED
- On Screen Display control(OSD)
- OSD Remote Control via RS-232

Power Specifications:

- Power Supply Options : 24 V DC power supply with Terminal block (Default, Isolation Resistance),90 to 265V AC power supply
- Power Consumption : 21 W typical, normal operation

Mechanical and Environmental:

- Mechanical Mounting : Panel (Flush) mount with IP65*, VESA, Bracket mounting
- Operating Temperature : -10 to 55 deg.C (-20 to 60 deg.C for optional heating)
- Operating Humidity : 5% to 95% (non condensing)
- Anti-Vibration : 5Hz~500Hz / 1Grms/3 Axis
- Anti-Shock : 15G, 11ms duration
- * SAW touch for IP54

Available Options:

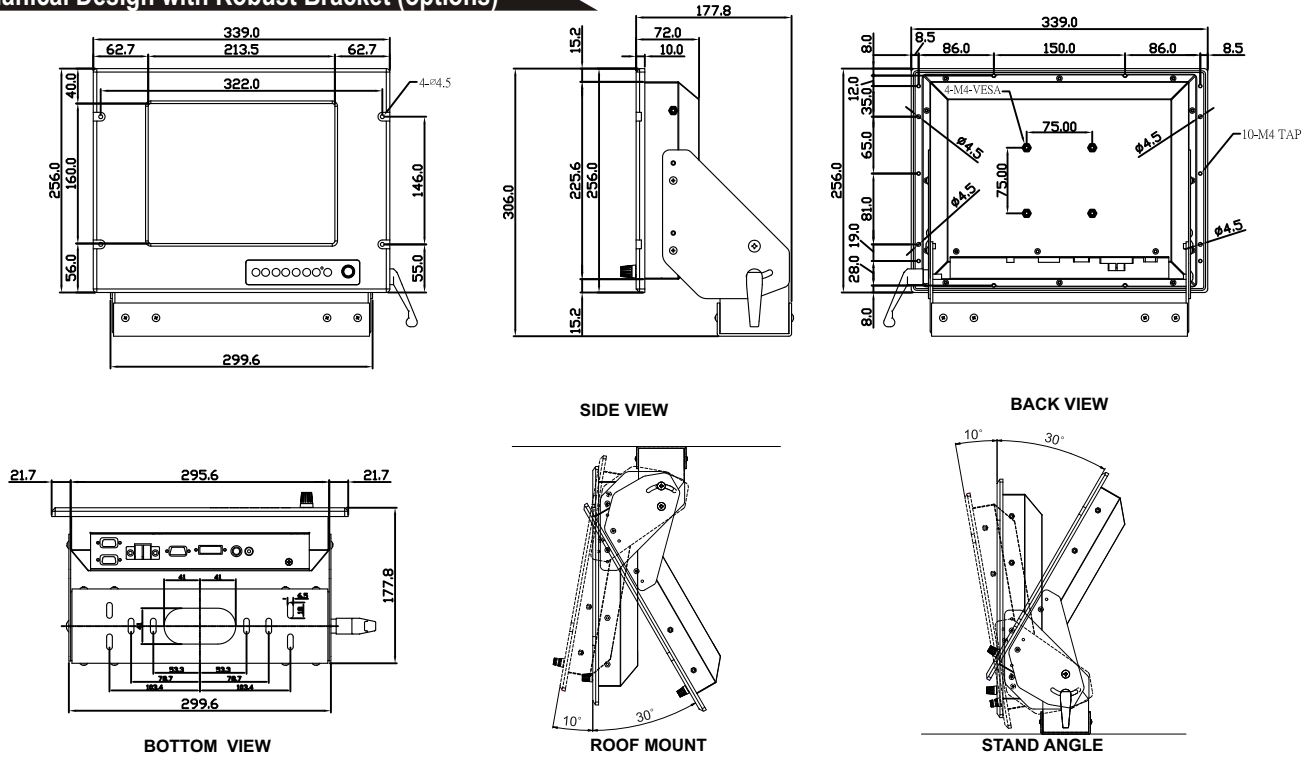
- Touch Screen Options : SAW, 5 Wire Resistive
- AR Safety Glass Options : 3mm Anti-reflective protection glass
- Transflective Options : Yes (Enhance Visibility)
- AC power Options : Yes (90 to 265 V AC power input)
- Bracket Mounting Options : Yes (One robust bracket can adjust from -10 to 30 deg.)



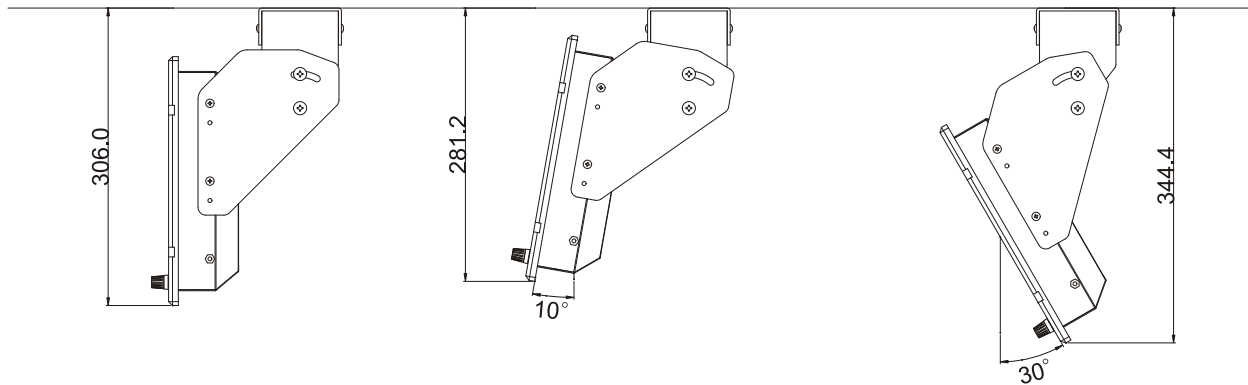
10.4" Marine Bridge System Display

Model # R10L100-MRM2

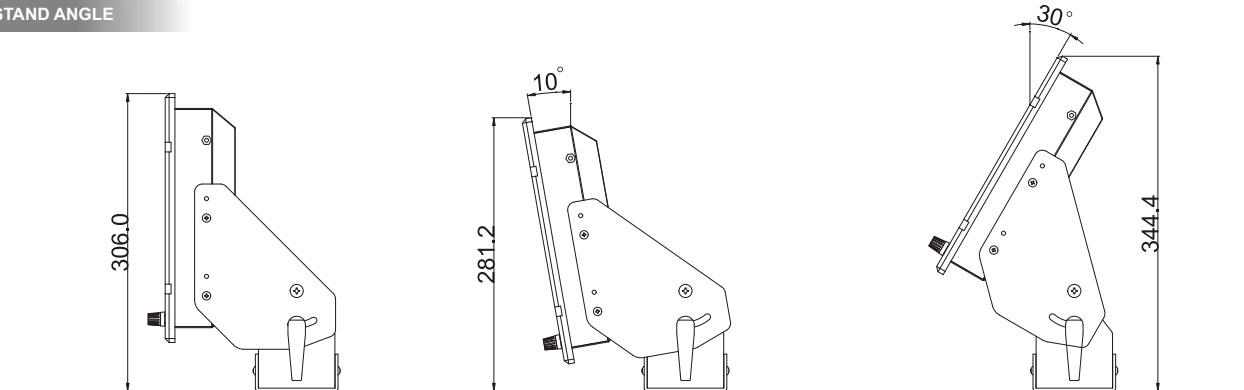
Mechanical Design with Robust Bracket (options)



ROOF MOUNT



STAND ANGLE



All Dimensions are ± 0.5 mm

* Note: this is a simplified drawing and some components are not marked in detail. Please contact our sales representative if you need further product information.

Certification and Approvals : IEC 60945, DVN 2.4, IACS-E10
DNV Type Approval, CE, FCC



* Extra charge is required for back covers with bracket holes for products purchased before end of Nov. 08'

Rev.	Reasons	Revised Date
1.0	Add holes for brackets on back cover*	Nov-17-08
1.1	Spec change	Feb-16-11