

CV-117

17" TFT SXGA 5:4 Display Module with Resistive 5-wire Touch / Projected Capacitive Touch / Glass Only



- 17" TFT SXGA 5:4 LCD with Resistive 5-wire Touch, Projected Capacitive Touch, or Glass Only
- 50,000 hrs LED Backlight Life
- Resolution up to 1280 x 1024 (SXGA)
- 350 nits Brightness
- Designed with Aluminum Die-cast Front Frame
- IP 65 Compliant Front Panel
- Convertible Display System (CDS) Supported

Overview

CV-117 is 17" LCD display module with resistive 5-wire touch, projected capacitive touch, or glass only. It offers resolution up to 1280x1024 (SXGA) and 350 nits brightness. CV-117 features flat surface and IP65 dust/waterproof front panel. In addition, designed with aluminum die-cast front frame, it is rugged and reliable for industrial environment. With support for Convertible Display System (CDS) technology, CV-117 allows you to configure, upgrade and maintain your Convertible Display System easily.

Specifications

Display

- LCD Size: 17" (5:4)
- Max. Resolution: 1280 x 1024
- Brightness (cd/m²): 350
- Contrast Ratio: 800 : 1
- LCD Color: 16.7M
- Pixel Pitch (mm): 0.264 (H) x 0.264 (V)
- Viewing Angle (H-V): 160 / 140
- Backlight MTBF: 50000 hrs (LED Backlight)

Touch

- Resistive 5-wire Touch for CV-117R Only
- Projected Capacitive Touch for CV-117C Only

Physical

- Dimension (WxDxH, mm): 450 x 350 x 63.2 mm
- Weight: 5.64 kg
- Construction Front Panel: Die-cast Flat Surface

Environment

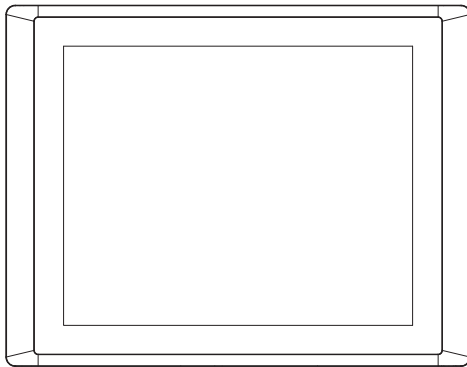
- Operating Temperature: Ambient with Air Flow:
 - CV-117R: -20°C to 75°C
 - CV-117C: -20°C to 80°C
 - CV-117G: -30°C to 85°C
 (with Industrial Grade Peripherals)
- Storage Temperature:
 - CV-117R/CV-117C: -30°C to 80°C
 - CV-117G: -30°C to 85°C
- Relative Humidity:
 - CV-117R/CV-117C: 80% RH @ 40°C (non-condensing)
 - CV-117G: 90% RH @ 40°C (non-condensing)
- IP Level: IP 65 Compliant Front Panel

Certification

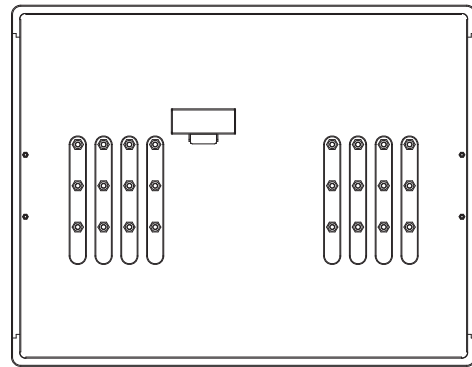
- CE
- FCC Class A

External Layout

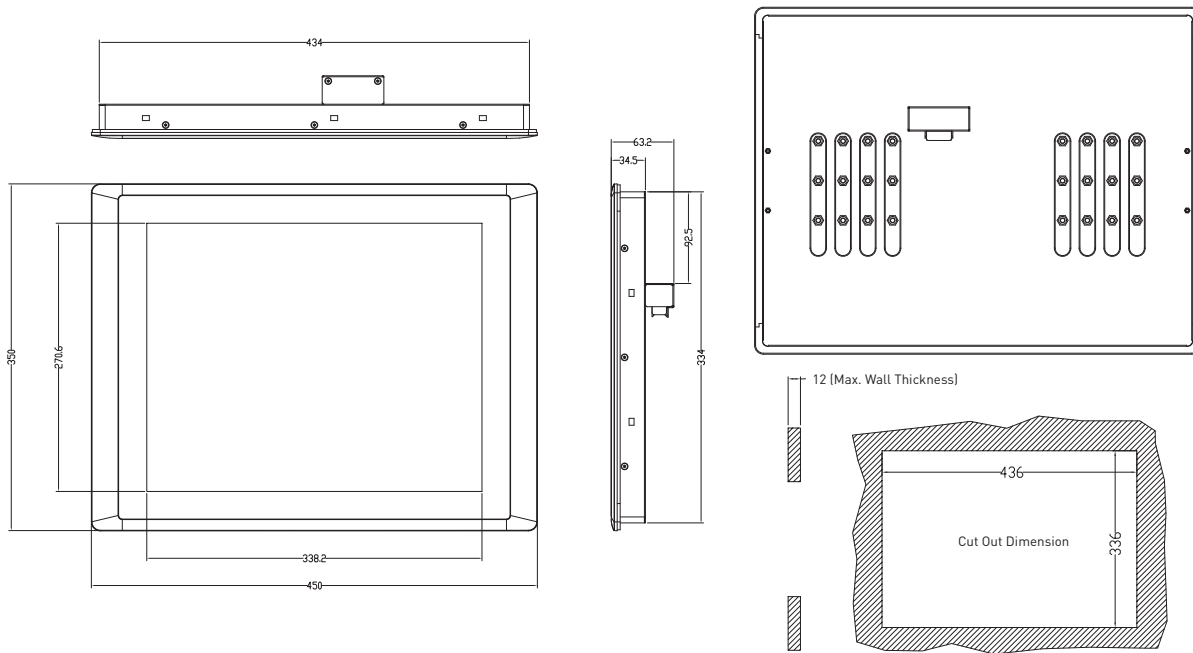
Front



Rear



Dimensions



Unit: mm

Ordering Information

Available Models

Model No.	Description
CV-117R-R10	17" TFT SXGA 5:4 Display Module with Resistive 5-wire Touch
CV-117C-R10	17" TFT SXGA 5:4 Display Module with Projected Capacitive Touch
CV-117G-R10	17" TFT SXGA 5:4 Display Module with Glass

Package Checklist

- CV-117 Display Module x 1
- Panel Mounting Kit x 1