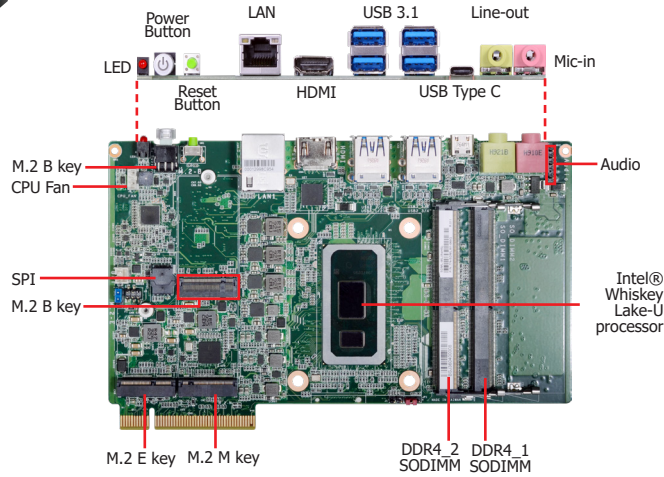


## SDML-WL

ULT

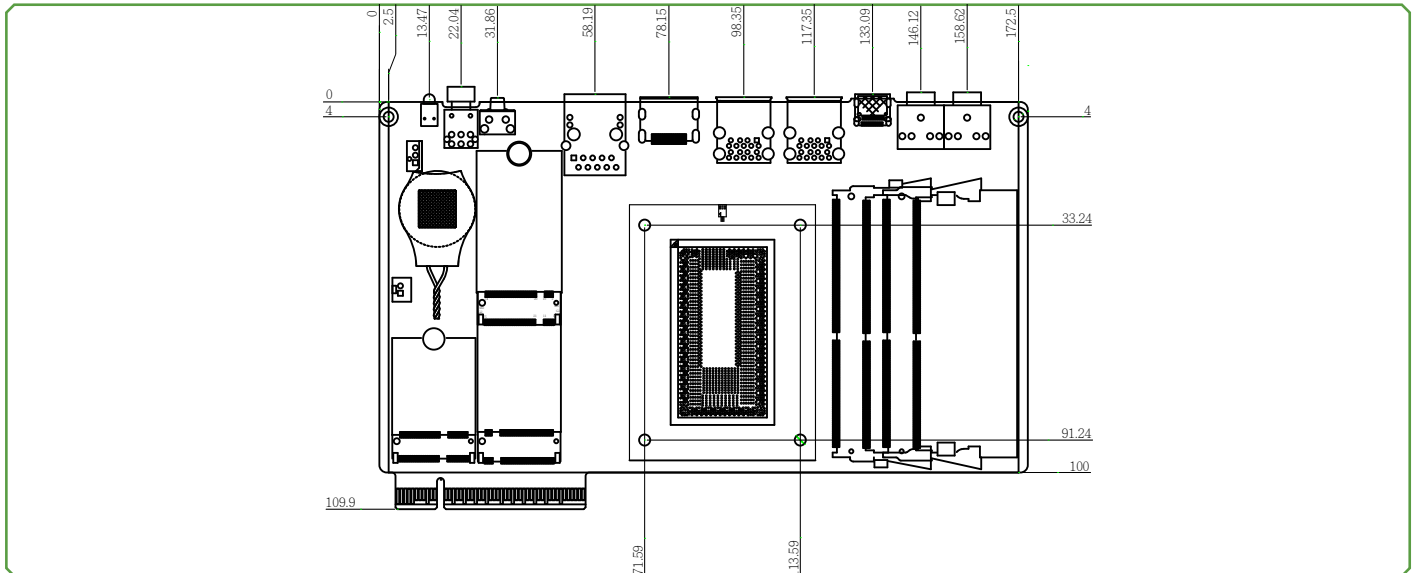


### Features

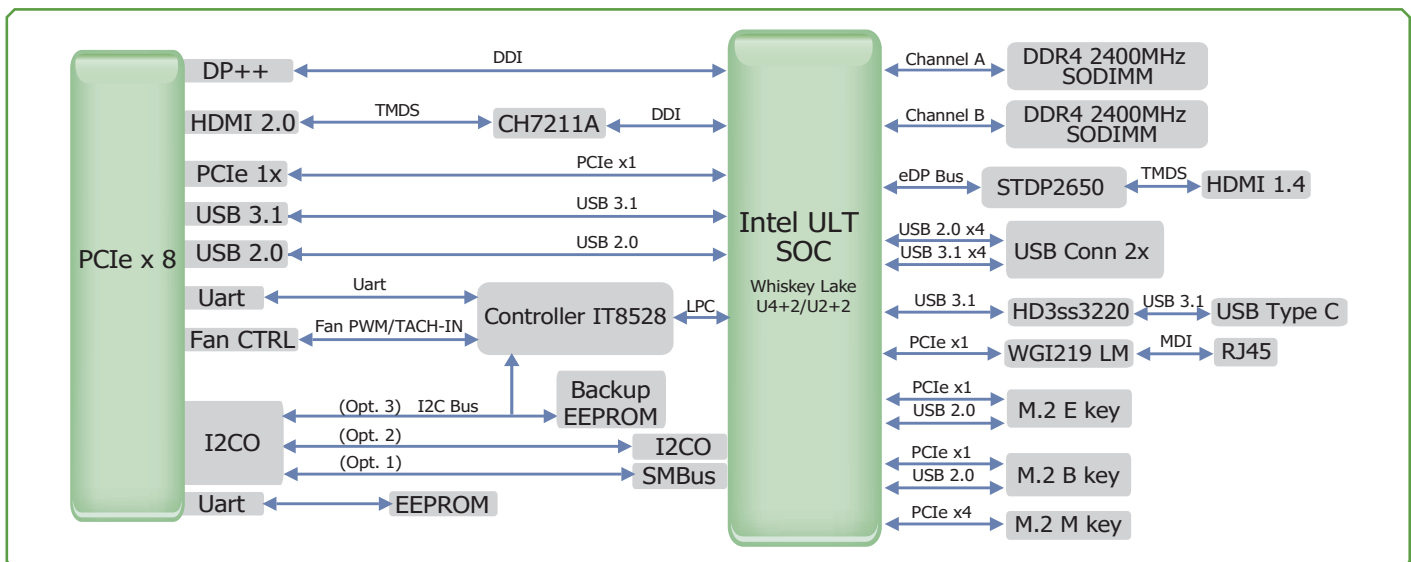
- 2 DDR4 2400MHz SODIMM up to 32G
- 2 HDMI resolution up to 4096 x 2160 @ 60Hz  
DP++ (golden finger) resolution up to 4096 x 2304 @ 60Hz
- Multiple expansion: 1 M.2 E Key, 1 M.2 M Key, 1 M.2 B Key
- Rich I/O: 1 Intel GbE, 4 USB3.1, 1 USB3.1 Type C



### Mechanical Drawing



### Block Diagram



## Specifications

<b>SYSTEM</b>	<b>Processor</b>	8th Gen Intel® Core™ Processor, FCBGA1528 Intel® Core™ i7-8665UE Processor, Quad Core, 8M Cache, 1.7GHz (4.4GHz), 15W Intel® Core™ i5-8365UE Processor, Quad Core, 6M Cache, 1.6GHz (4.1GHz), 15W Intel® Core™ i3-8145UE Processor, Dual Core, 4M Cache, 2.1GHz (3.9GHz), 15W Intel® Celeron® Processor 4305UE, Dual Core, 2M Cache, 2.20 GHz, 15W	
	<b>Memory</b>	2 x DDR4 2400MHz SODIMM up to 32 GB Dual Channel	
	<b>BIOS</b>	Insyde SPI 128Mbit	
<b>GRAPHICS</b>	<b>Controller</b>	Intel® UHD Graphics 620	
	<b>Dual Displays</b>	1 x DisplayPort 1.2 via PCIe x8 gold finger 1 x HDMI 2.0 to PCIe x8 gold finger 1 x HDMI 1.4 to rear I/O	HDMI: resolution up to 4096x2160 @ 30 Hz DP++: resolution up to 4096x2304 @ 60Hz
<b>EXPANSION</b>	<b>Interface</b>	1 x 2230 E Key, PCIe x1 interface	1 x 2242 B Key / 1 x 2280 M Key
<b>AUDIO</b>	<b>Audio Codec</b>	Realtek ALC262-VC2-GR	
<b>ETHERNET</b>	<b>Controller</b>	1 x Intel® I219LM (10/100/1000Mbps) (Core™ i5 and i7 support vPro function)	
<b>REAR I/O</b>	<b>Ethernet</b>	1 x GbE (RJ-45)	
	<b>USB</b>	4 x USB 3.1 Gen 2 Type A	1 x USB 3.1 Gen 2 Type C
	<b>Display</b>	1 x HDMI 1.4	
	<b>Audio</b>	1 x Line-out	1 x Mic-in
<b>SDM GOLDEN FINGER</b>	<b>Serial</b>	1 X UART	
	<b>USB</b>	1 x USB 3.1	1 x USB 2.0
	<b>Display</b>	1 x DP 1.2	1 x HDMI 2.0
	<b>SMBus</b>	2 x I2C	
<b>WATCHDOG TIMER</b>	<b>Output &amp; Interval</b>	System Reset, Programmable via Software from 1 to 255 Seconds	
<b>POWER</b>	<b>Type</b>	Single 12V DC	
	<b>Connector</b>	Power button	
	<b>RTC Battery</b>	CR2032 Coin Cell	
<b>OS SUPPORT</b>	<b>Microsoft/Linux</b>	Windows 10 IoT Enterprise 64-bit	Yocto kernel 4.19
<b>ENVIRONMENT</b>	<b>Temperature</b>	Operating: 0 to 60°C	Storage: -40 to 85°C
	<b>Humidity</b>	Operating: 5 to 90% RH	
	<b>MTBF</b>	TBD	
<b>MECHANICAL</b>	<b>Dimensions</b>	175mm (6.9") x 100mm (3.9")	
	<b>Height</b>	PCB: 1.6mm	Top Side: Max 20mm