

FM07, 7-inch Vehicle Mounted Computer

A Rugged Vehicle Mounted Computer for Data Collection in Warehouse and Logistics Applications

FM07 is a rugged vehicle mounted computer delivering flexibility and mobility in a vehicle-mount form factor; designed to be easily mounted on a vehicle. FM07 fits seamlessly into forklifts and other warehouse vehicles. It will help minimize errors, streamline ordering and inventory management, and improve operational efficiencies. The processing power comes from Intel® Celeron N3350 (Apollo Lake) processor. The computer features a brilliant projected capacitive multi-touch screen, and offers 1024 x 600 pixel resolution.



Highlights

- Intel® Celeron N3350 (Apollo Lake) Processor
- 7" 1024 x 600 panel with projected capacitive multi-touch screen
- Wide power input 9-36V DC with ignition
- M12 waterproof connectors
- Front IP65 waterproof and dustproof
- Wi-Fi, BT WLAN and GPS for wireless connectivity
- Wide operating temperature range -20°C to 60°C
- Shock and vibration resistance according to MIL-STD-810G



FM07, 7-inch Vehicle Mounted Computer

A Rugged Vehicle Mounted Computer for Data Collection in Warehouse and Logistics Applications

Display Specification

| | |
|----------------|----------------------------------|
| Size | 7-inch display |
| Resolution | 1024 x 600 |
| Brightness | 1000 nit |
| Touch | Projected capacitive multi-touch |
| Contrast Ratio | 700:1 |
| Viewing Angle | 75/75/75/70 |

System Specification

| | |
|------------------|--|
| Processor | Intel® Celeron N3350, 2M Cache |
| System Memory | 2GB SODIMM DDR3L-1600 (up to 8GB) ¹ |
| Storage | 64GB M.2 solid state drive SSD |
| Operating System | Windows® 10 IoT Enterprise, Ubuntu 18.04 |

Wireless Communication

| | |
|-----------|--|
| WLAN | 802.11 a/b/g/n/ac |
| GPS | u-Blox Neo-M8N |
| WWAN | Optional LTE : B1/B2/B3/B4/B5/B7/B8/B13/B17/B20 WCDMA/HSDPA/HSUPA/HSPA+ : 850 MHz/900 MHz/1700 MHz (AWS)/ 1900 MHz/2100 MHz GPRS/EDGE |
| Bluetooth | Bluetooth 4.0 |

Interface

| | |
|----------|---|
| Computer | 1 x RS232 1 x Gigabit Ethernet LAN 10/100/100 Mbps (M12 type) 1 x DIDO, CANBUS 1 x Power input 9-36V DC with ignition 1 x SIM Card Slot 2 x USB Wi-Fi Antenna Bluetooth Antenna Optional WWAN Antenna Optional GPS Antenna |
|----------|---|

Keyboard and Input

| | |
|----------------|---|
| Touch | Projected capacitive |
| Button | • On-screen QWERTY keyboard • Front : 5 x function key (Programmable function key configured by Hottab Utility) • Top : 1 x Power button |
| LED Indicators | Power, Storage |

Audio

| | |
|---------|---|
| Speaker | 1 Watt speaker, located on the back cover |
|---------|---|

Mechanical and Environment

| | |
|-----------------------|--|
| Dimension (W x L x H) | 188.75 x 144.75 x 39.5 mm (7.43 x 5.70 x 1.56 inches) ² |
| Weight | 1.0 kg (2.20 lbs) |
| Housing | Back cover aluminum housing |
| Mounting | RAM Mount, VESA Mount (75x75mm) |
| Cooling System | Fanless design |
| Operating Temperature | -20°C to 60°C (-4° to 140° F) |
| Humidity | 10% to 95% RH, non-condensing |
| IP Proof | Front IP65, dustproof and waterproof |
| Shock | MIL-STD-810G Method 516.6 Procedure I, 30 g for 18 ms, 300 m/s ² |
| Vibration | MIL-STD-810G Method 514.6 Procedure I, 1.60/ 1.96/ 2.18 g rms for XYZ/ 5-500 Hz |
| Certifications | CE, FCC, E-Mark |

Power Management

| | |
|-------------|-------------------------------|
| Power Input | 9V-36V, with ignition control |
|-------------|-------------------------------|

Accessories

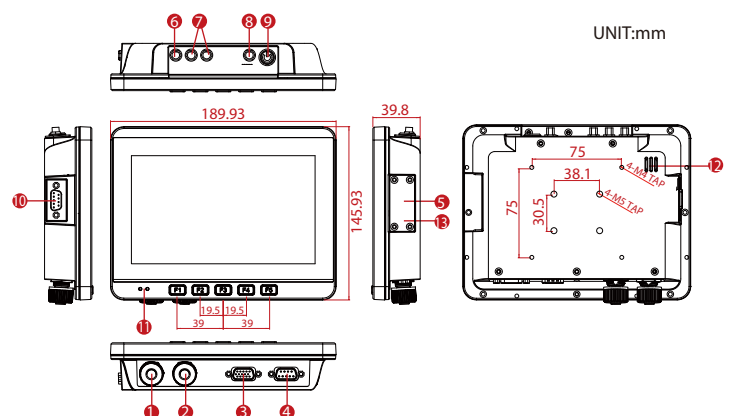
Standard Accessories ³

| | |
|-----------------|--------------|
| User Guide | 9152111109C |
| M12 Power Cable | 94J004L040K1 |
| M12 LAN Cable | 94I0120080K0 |
| USB Cable | 9483098080K0 |
| WiFi Antenna | 3975M0000002 |

Optional Accessories

| | |
|------------------------------------|--------------|
| RS232 Cable | 94G3094090K2 |
| CANBUS Cable | 94E2150090K0 |
| Audio Cable | 94E215R060K0 |
| Mounting Kit 1 – No Drill Solution | 98K000A0005Y |
| Mounting Kit 2 – Drill Solution | 98K000A0006P |
| Mounting Kit 3 - Keyboard Mounting | 98K000A000A0 |
| WWAN Antenna | 3975M000000C |
| GPS Antenna | 3975M000000G |

Drawing ⁴



1. 9-36DC with Ignition
2. LAN
3. CANBUS / DIDO
4. COM
5. SIM Card Slot
6. Wi-Fi Antenna Optional
7. WWAN Antenna Optional
8. GPS Antennal
9. Power Button
10. 2 x USB
11. LED
12. Speaker
13. Reset Button



Do not expose bare skin to this product when handling this unit in extreme hot or cold environments

1. Total usable memory will be less depending upon actual system configuration.
2. Length measurements do not include protrusions. Weight varies with options.
3. Accessories may vary depending on your configuration.
4. This is a simplified drawing and some components are not marked in detail.