

R10IK8M-RTT2GP, 10.4-inch Ultra Rugged Tablet

An Ultra Rugged Tablet Built to Handle the Toughest Tasks

The R10IK8M-RTT2GP is an 10.4-inch ultra-rugged tablet with a robust set of features designed to handle the toughest tasks while providing high tech solutions that increase productivity, improve safety, and reduce operational costs. The processing power comes from Intel's 7th generation Core i5-7200U Kaby Lake in a magnesium aluminum housing with protective rubber for military standard ruggedness. The R10IK8M-RTT2GP is a no-nonsense, field ready ultra-rugged tablet that can act as a powerful workstation in an easy to use package.



Highlights

- 7th Gen. Intel® Core™ i5-7200U, 2.5 GHz (turbo up to 3.1 GHz)
- 10.4" 1024 x 768 Resolution Transflective TFT-LCD Panel
- Alu-Mg Alloy Housing with Protective Rubber for MIL-810G Shock, Vibration and Drop Std.
- Trusted platform module (TPM) V2.0
- Built-in Wireless / Bluetooth / GPS
- Optional 4G LTE
- Adjustable Kickstand that is convertible to a handle (Optional)

Order Information			
	WWAN	Kickstand	1D/2D Barcode
R10IK8M-RTT2GP	4G/LTE (Optional)	N / A	Optional
R10IK8M-RTT2GPKS	4G/LTE (Optional)	Default	Optional

R10IK8M-RTT2GP, 10.4-inch Ultra Rugged Tablet

An Ultra Rugged Tablet Built to Handle the Toughest Tasks

Display Specification

Resolution	1024 x 768
Contrast Ratio	1000:1
Brightness	700 nit
Viewing Angle	88/88/88/88
Touch	Resistive Touch

System Specification

CPU	Intel® Core™ i5-7200U 2.5 GHz (turbo up to 3.1 GHz)
System Chipset	Intel HD Graphics 620
System Memory	4GB SODIMM DDR4-2133 (Max 16GB)
Storage	128GB M.2 SSD (Max 512GB)
Operating System	Windows 10 IoT Enterprise

Interface

Ethernet LAN	1 x RJ45
COM	1 x RS232/422/485 (Thru BIOS Setting)
USB	2 x USB 3.0
Power Input	1 x Power Jack
Memory Card Slot	1 x Micro SD Card Slot
SIM card slot	1 x Micro SIM Card Slot
Audio Connector	1 x Audio Combo Connector (Mic in or Line out)
Sensors	Light sensor

Audio

Speaker	2 x 1 Watt Speaker
---------	--------------------

Cameras (Optional)

Front Camera	2MP
Rear Camera	5MP with autofocus

Wireless Communications

WWAN	Optional 4G/ LTE or 3G
WLAN	802.11 a/b/g/n/ac
Bluetooth	4.0
GPS	u-Blox Neo-M8N, supports GPS (Optional GLONASS, Galileo, BeiDou)

Keyboard and Input

Physical Buttons	1 x Power, 1 x Menu, 3 x Function Key, 2 x Brightness Control Key
LED Indicators	Power, Battery, HDD, RF
Touch	Resistive Touch

Data Capture

Barcode	1D/2D Barcode Reader (Optional)
---------	---------------------------------

Mechanical and Environment

Dimensions	266 x 220 x 50.5 mm
Weight	2.39 kg
Housing	Aluminum Magnesium Alloy Housing with Protective Rubber
Operating Temperature	-20°C to 60°C (AC Mode), -10°C to 50°C (Battery Mode)
Storage Temperature	-30°C to 70°C
Operating Humidity	10 to 90% RH, non-condensing
Shock	MIL-STD-810G Method 516.6 Procedure I
Vibration	MIL-STD-810G Method 514.6 Procedure I
Drop	MIL-STD-810G Method 516.6, 4ft to concrete
IP Rating	Default IP54 (Optional IP65)

Power Management

Power Input	19V DC
Battery	11.1V, 5200mAh Lithium-Ion Battery (6cells)
Battery Operating Time	8 hours ¹
Power Consumption	15W
AC Adapter	100-240V, 50-60Hz / 19V DC

Security Function

Security	Trusted platform module (TPM) V2.0
----------	------------------------------------

Standards and Certification

EMC	FCC
Safety	CE

Accessories

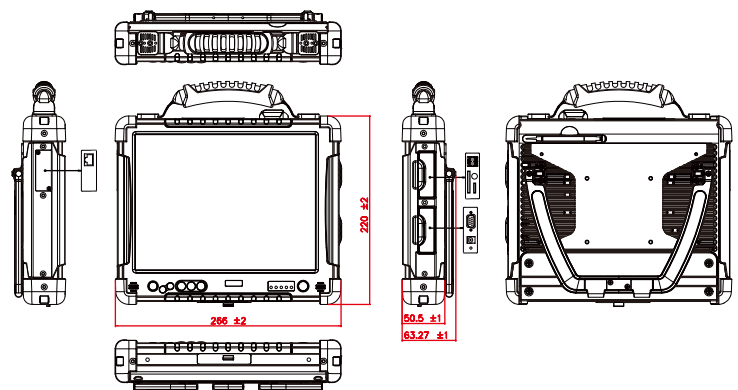
Standard Accessories

Adapter and Power Cord
Standard Battery
Quick Start Guide
Manual & Driver CD
Touch Stylus

Optional Accessories

Adjustable Kickstand
Multi-functional Desktop Docking station
Vehicle Mounting Charger Kit
Car Power Charger
Hand Strap
Shoulder Strap
Soft Shell Case
Carry Bag

Drawing ²



Do Not Expose the Battery Pack to Excessive Heat, or Extreme Heat (Near Fire, in Direct Sunlight for example)

Do not expose bare skin to this product when handling this unit in extreme hot or cold environments

Caution

1. Measured at dimming LCD brightness. Varies depending on the usage conditions, or when an external device is attached.

2. This is a simplified drawing and some components are not marked in detail.