

G-WIN[®] Military LCD Display

ruggedized

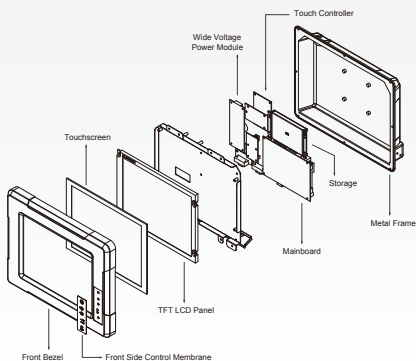
Model Number : R10L100-MLT2



Optional for Mounting Bracket



Modularized Construction



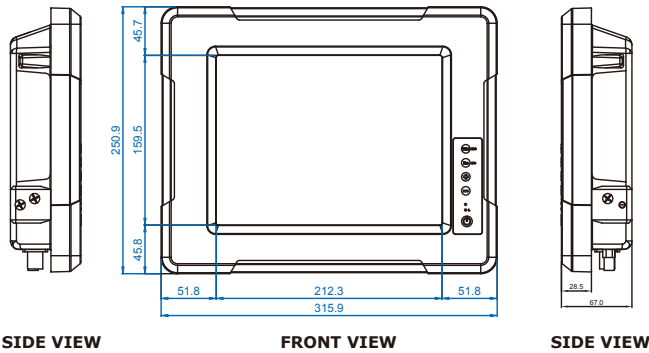
Features :

- High Quality 10.4" XGA Panel, 1024x768 resolution
- Full IP65 Dust/Water Proof Enclosures (Except I/O parts)
- Aluminum Housing with Anti-Corrosion Treatments
- Anti-Shock and Vibration Standard according to MIL810F/G & IEC60068-2-27
- 5 Wire Resistive Touch / Anti-Reflective Protection Glass (Optional)
- Wide Range 9 to 36V DC Input Acceptable (Optional)

G-WIN[®] Military LCD Display

ruggedized

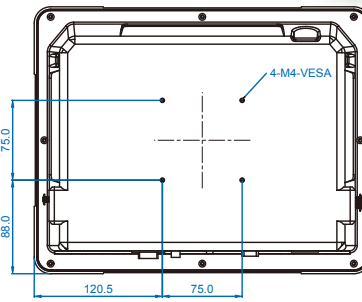
Model Number : R10L100-MLT2



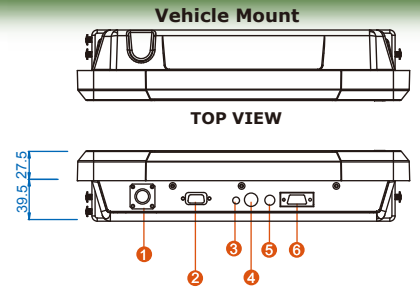
SIDE VIEW

FRONT VIEW

SIDE VIEW



VIEW

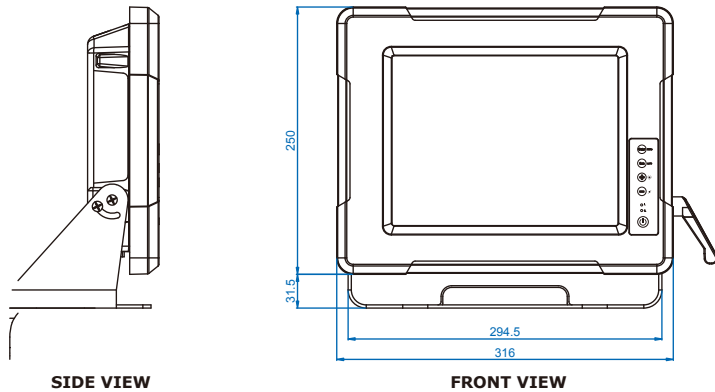


Vehicle Mount

TOP VIEW

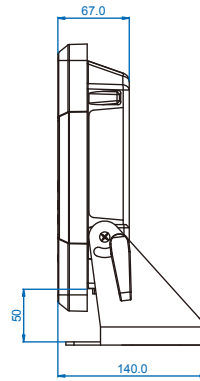
1. Military Grade Lockable Power Connector
2. RS232 for Touch (Optional for touch)
3. Line out (Optional)
4. S-Video (Optional)
5. Composite (Optional)
6. VGA

Drawing w / Mounting Bracket

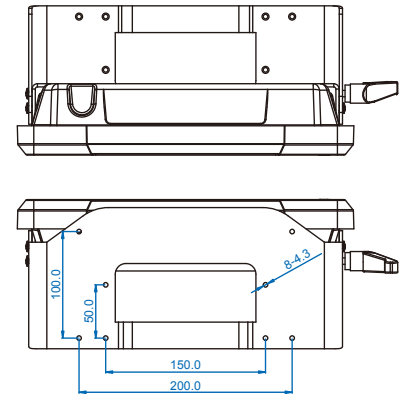


SIDE VIEW

FRONT VIEW



SIDE VIEW



REAR VIEW

Measurements shown in mm / All Dimensions are ± 0.5 mm

* Note: this is a simplified drawing and some components are not marked in detail. Please contact our sales representative if you need further product information.

Display Characteristics

Pixel Number	: 1024 x 768
Pixel Pitch (mm)	: 0.0685 (H) x 0.2055 (V) mm
Contrast Ratio	: 1200 : 1(typ.)
Brightness	: 350 cd/m2 (typ.)
Viewable Angle(CR>=10)	: -88~88 (H); -88~88 (V)
Active Display Area	: 210.4(H) x 157.8(V) mm
Max Colors	: 16.2M
Touch (Optional)	: 5 Wire Resistive

I/O Connectors

Back Panel I/O Port	: 1 x VGA(DB-15)
	: Military Grade Lockable Power Connector
	: 1x RS232 for Touch Screen(Optional w/ touch)

In Front Control

Control Button	: Menu / Enter Button
	: Auto-adjust / Esc Button
	: Brightness Up / Increase Button
	: Brightness Down / Decrease Button
	: Display Power Button
LED indicator	: Power On/ Off
	: Display Sleep

Mechanical and Environment

Dimensions (W x L x H)	: 315 mm x 250 mm x 67mm
Power Input	: 12V DC / MIL-grade connector
Power Consumption	: 22W typ.
Operating Temperature	: -20°C~70°C
Storage Temperature	: -20°C~70°C
Operating Humidity	: 10% to 95% (non condensing)
Mounting	: VESA mount, Vehicle mount
Shock	: Operating: 30g for 18ms, 300m/s ²
Vibration	: Operating: 1.60/1.96/2.18 g rms for XYZ / 5-500Hz

Product Optional Items

Mounting Bracket and Kits	One robust bracket with locking handle (Can adjust from -5deg. to 90deg.)
Video Input	Composite Video, S-Video for optional
Audio	Audio Line in for optional
Anti-reflective Glass	3mm Anti-reflective Protection Glass
Wide Power Input Range	9V to 36V wide range acceptable for optional
Terminal Block	Pluggable 3pin terminal block power input

Environmental(MIL-STD 810F/G Compliance)

Vibration	MIL-STD-810F/G Method 514.5
Humidity	MIL-STD-810F/G Method 507.4
Transit Drop	MIL-STD-810F/G Method 516.5

Environmental(MIL-STD 461E/F Compliance)

RE	RE 101 / RE 102
CE	CE 101 / CE 102
Optional with EMI Glass / Touch	
RS	RS101 / RS103
CS	CS 101 / CS 106 / CS 109 / CS 114 CS 115 / CS 116

* If you require external test report, Winmate will charge NRE fee.