

M0830

8" Intel® Atom™ Z8350 Mobile Clinical Assistant



Features

- eHealthcare and clinical assistant application
- 8" TFT color LCD 1024 x 768 XGA resolution
- IPS LED display with projected capacitive multi-touch panel
- High mobility with connectivities including WLAN and Bluetooth
- Expansion for storage via microSD slot
- Identification devices (barcode scanner, RFID & NFC reader)
- IEC & EN 60601-1 (Edition 3.1) and IEC & EN 60601-1-2 (Edition 4th) Compliant

Preliminary Specifications

| System | |
|-------------------------|--|
| CPU | Intel® Atom™ x5-Z8350 Processor (2M Cache, up to 1.84 GHz) |
| Graphic | Intel® HD Graphic Chipset |
| OS | Android™ v5.X & Windows 10 |
| Memory | Built-in 2GB DDR3L-1600 |
| Storage | Built-in 64GB eMMC |
| | 1 x integrated microphone |
| Audio | 2 x 0.5W integrated stereo speaker 1 x 3.5mm headphone jack |
| Peripherals and Devices | |
| Camera | Front: 2.0 MP camera with fixed focus Rear: 8.0 MP camera with auto focus |
| Sensor | Gyroscope, eCompass, light sensor |
| WLAN | Integrated IEEE 802.11 a/b/g/n/ac |
| Bluetooth | Bluetooth® 4.1 |
| Barcode Scanner | 1D/2D barcode scanner with physical trigger buttons on right & left sides |
| NFC | ISO 14443A/B, ISO 15693 (on back side) |
| LCD Display | |
| Size/Type | 8" IPS LED display |
| Resolution | 1024 x 768 (XGA) |
| Luminance | 300 cd/m ² (typ.) |
| Contrast Ratio | 800 : 1 |
| View Angle (U/D/R/L) | 89°/89°/89°/89° |
| Touch Screen | |
| Type | 10-point Projected Capacitive Touch w/ Corning® Gorilla® Glass |
| Light Transparency | 85% ± 5% (typ.) |
| Controller Interface | I2C interface |
| Tablet PC I/O Interface | |
| USB Port | 1 x Micro USB 2.0 port (OTG support) |
| SD Slot | 1 x microSD card slot |

Tablet Battery Consumption

| | |
|----------------|--|
| Operating Mode | 3.5 hours (continuously playing YouTube video) |
| Standby Mode | 29~33 hours |

Power Supply

| | |
|------------------|----------------------------------|
| Battery Type | Lithium-ion rechargeable battery |
| Battery Capacity | 3.8V, 4000mAh |
| Power Adapter | AC100~240V, 50~60 Hz, 5V/10W |

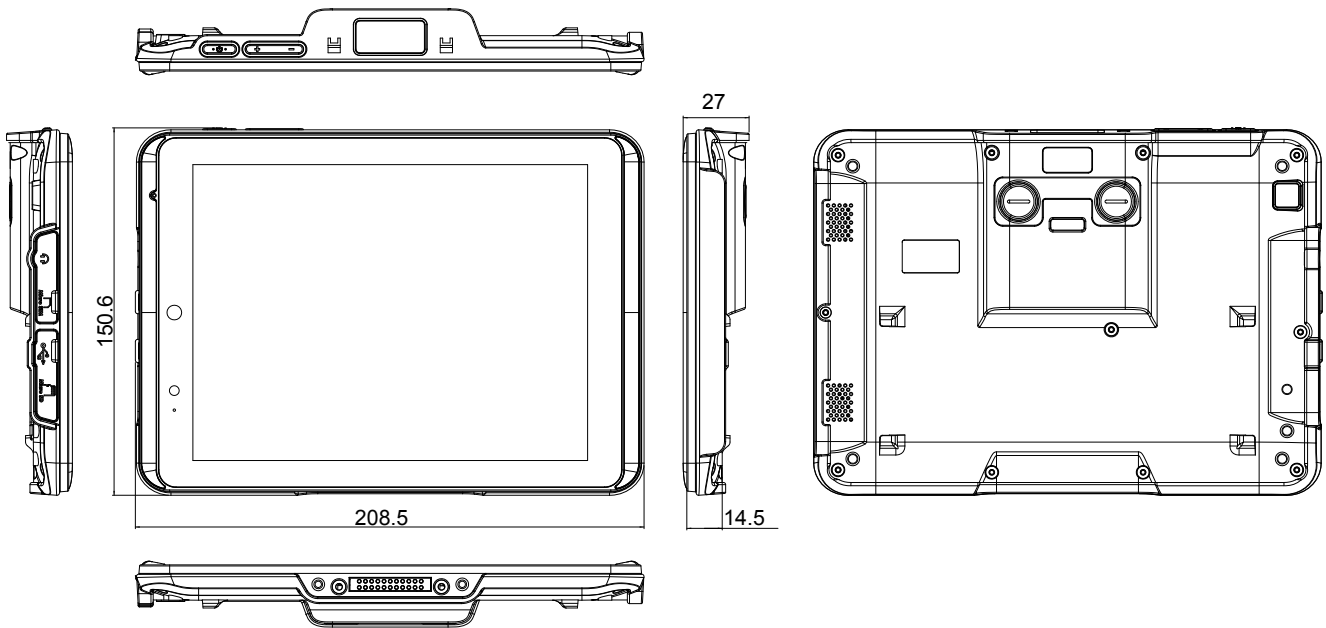
Mechanical & Environmental

| | |
|------------------------|--|
| Operating Temp. | -10°C ~ 45°C (14°F ~ 113°F) |
| Storage Temp. | -20°C ~ 60°C (-4°F ~ 140°F) |
| Charging Temp. | 0°C ~ 40°C (32°F ~ 104°F) |
| Dimensions (W x H x D) | 208.5 x 150.6 x 27 mm (8.21" x 5.93" x 1.06") |
| Weight | 520g (1.15lb) (with battery) |
| IP Rating | IP54 |
| Drop Resistance | 1.2m (4ft.) |
| Regulatory | CE, FCC Part 18 Subpart C IEC & EN 60601-1 Safety (Edition 3.1) Compliant IEC & EN 60601-1-2 EMC (Edition 4th) Compliant |

Ordering Information

| | |
|--------|---|
| M0830A | 8" fanless Intel® Atom™ x5-Z8350 tablet PC with 2GB Memory, 64GB eMMC, NFC, Wi-Fi/BT, Android 5.1 |
| M0830W | 8" fanless Intel® Atom™ x5-Z8350 tablet PC with 2GB Memory, 64GB eMMC, NFC, Wi-Fi/BT, Win 10 IoT Enterprise |

Dimensions



Unit:mm

Standard Accessories

Medical-grade power adapter, 5V / 10W



Optional Accessories

Hand strap



Rope stylus pen



K-Lock

