



Main Features

- Support Intel 8th Gen Intel Atom® processor X series and Intel® Celeron® J series
- Max. 32GB DDR4 supported
- Dual display of HDMI and DVI-I
- 2 x 3.5" SATA HDD support RAID 0,1
- 1 x 2.5" SSD/HDD, 1 x M.2 2242 SATA SSD
- 1 x 10/100/1000 Intel® Ethernet
- 1 x 2.5G Intel® Ethernet
- 16 x 10/100 PoE (240W max PSE)
- Support TPM 2.0 onboard
- Support eMMC onboard (option)

Product Overview

The NVR NViS 14162 is equipped with Intel 8th Gen Atom® processor X series and Celeron® J Series, up to 4 Core and 3.0 GHz burst frequency processor, which supports up to 32GB DDR4 3200MHz memory, along with integrated graphics controller, 11th Gen Intel® UHD Graphic support 32EU and 750MHz graphics burst frequency for large display application. Moreover, NViS 14162 provides high quality digital recording, real-time display and supports a wide range of megapixel IP cameras. In addition, NViS 14162 supports a wide variety of display I/O configurations, including HDMI, DVI-I, one Intel® 1GbE port, one Intel® 2.5GbE port, four USB 2.0, two USB 3.1 Gen1, audio interfaces, 16 channels 10/100 PoE at 16 ports support 802.3af and at 8 ports support 802.3at.

Specifications

CPU

- Intel 8th Gen Intel® Celeron® J6412, Quad Core, 2.0GHz base frequency, 2.6GHz burst frequency (can compatible other Intel 8th generation Intel Atom® (Elkhart Lake) processor X series and Intel® Celeron® J series)

Memory

- Dual channel DDR4 3200MHz SDRAM, max. 32GB

I/O Interface-Front

- 2 x USB 2.0 ports
- Power & HDD status LED
- PoE 16 ports status LED

I/O Interface-Rear

- 2 x RJ45 (1 x 1GbE+1 x 2.5GbE)
- 2 x USB 3.1 Gen1 ports
- 2 x USB 2.0 ports
- 1 x HDMI 2.0b (supports max. resolution 4096 x 2160 @ 60Hz)
- 1 x DVI-I
- 1 x UART ports (RS-232/485 setting from BIOS)
- 1 x Min-in & 1 x Line-out & 1 x MIC
- Power on/off switch
- 16 x Ethernet PoE port
 - 802.3af/at compliance with total 240W max (PSE)
 - 802.3af support 16 ports @ 15W
 - 802.3at support 8 ports @ 30W

- 1 x 4DI/2DO (relay type) terminal block or 4DI/4DO GPIO DB15 port (option)

Storage

- 2 x 3.5" SATA HDD support RAID 0,1
- 1 x 2.5" SATA HDD or SSD
- 1 x M.2 2242 Key B SATAIII
- 1 x eMMC 32GB (option)

Power Input

- AC 100V~240V 410W power supply

Dimensions

- 430mm (W) x 44.5mm (H) x 348mm (D)

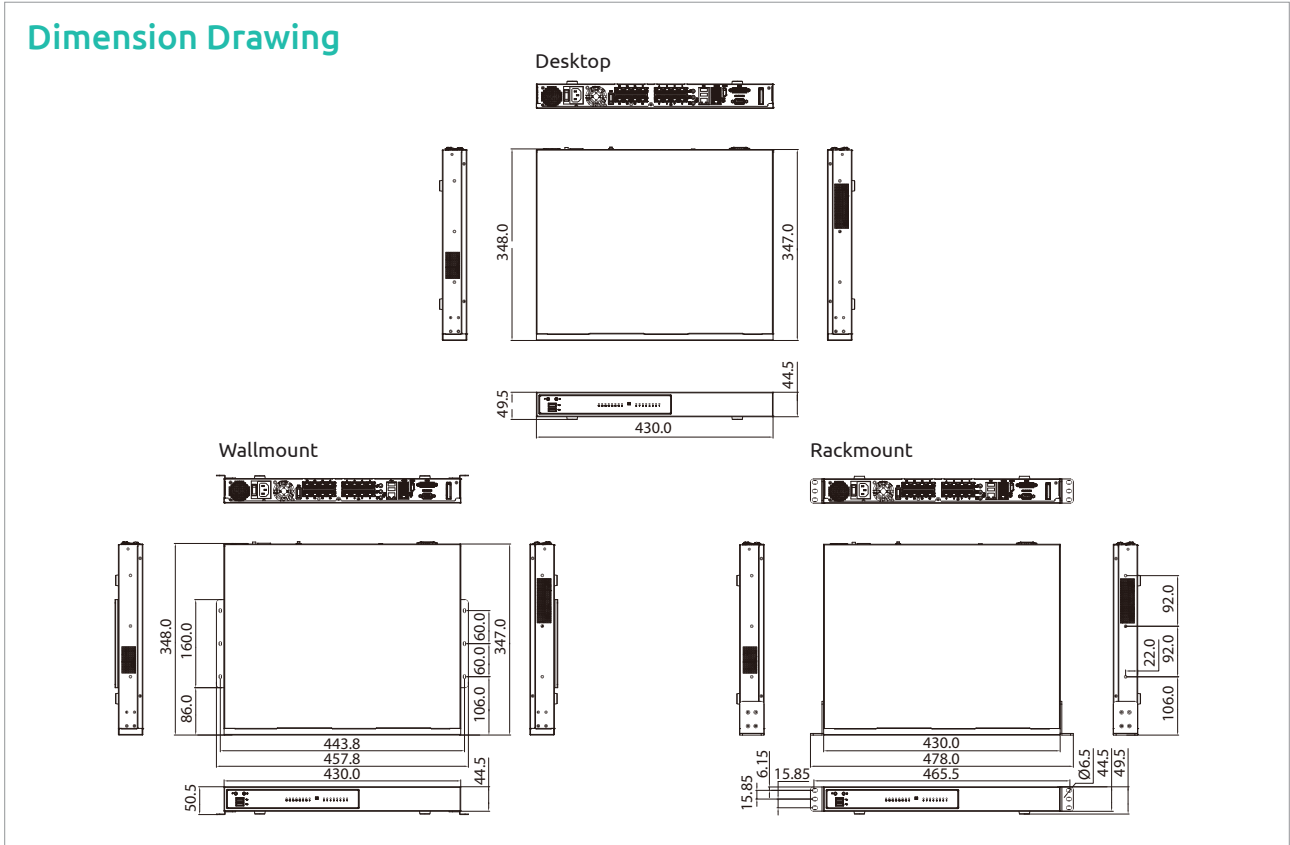
Environment

- Operating temperature:
Ambient with air flow: 0°C ~ 40°C
- Storage temperature: -20°C ~ 70°C
- Relative humidity: 10% ~ 90% (non-condensing)

Certifications

- CE approval
- FCC Class A
- UL 62368 compliance

Dimension Drawing



Ordering Information

- NVIS 14162 (P/N: 10C00141600X0)**
 NVIS 14162 desktop SoC NVR with Intel® Elkhart Lake platform built-in 16-port PoE