

DC-1100

Intel® Atom™ E3845 Quad Core Compact Size Fanless Computer and 2x Mini-PCIe Expansion



- Onboard Intel® Atom™ E3845 Processor Quad Core, 1.91GHz
- 1x DDR3L SO-DIMM Max. Up to 8 GB
- Dual Independent Display from 1x DVI-I and 1x DisplayPort
- 2x Intel® GbE Port Support Wake-on-LAN and PXE
- 1x USB 3.0 & 3x USB2.0
- 4x RS-232/422/485 Port with 5V/12V Power
- 4x Isolated DI, 4x Isolated DO
- 1x 2.5" SATA SSD/HDD Bay
- 1x CFast Card and 1x SIM Card Socket
- 9~48VDC Power Input Support AT/ATX Mode
- 2x Mini-PCIe Slot for Wi-Fi, GSM or I/O Expansion
- Universal I/O Bracket for Mini-PCIe Expansion
- E-Mark (E13, No.10R-0514062) Certified

Overview

DC-1100 is a high performance compact size 185mm (W) x 131mm (D) x 54mm (H) system designed with onboard Intel® Atom™ E3845 Quad Core 1.91GHz processor, rich I/O, an unique expansion capability, and supports wide range (9~48V) DC power input. It supports the latest USB 3.0 technology. With features including completely cable-less designed, special heat dissipation, anti-vibration, and industrial components selection, DC-1100 is a ruggedized system that can operate in a harsh environment. A build in voltage protection, reliable DC power input, and reverse power protection make DC-1100 a safety system for industrial applications.

Specifications

Processor System

- Onboard Intel® Atom™ Processor E3845 Quad Core, 1.91 GHz with AMI 64Mbit SPI BIOS.

Memory

- 1x 204-Pin DDR3L 1066 / 1333MHz SO-DIMM (un-buffered and non-ECC), max. up to 8 GB

Display

Dual Display

- 1x DVI-I and 1x DisplayPort
- 1x DVI-D and 1x VGA (with optional split cable)
- 1x DisplayPort and 1x VGA (with DVI-I to VGA adapter)

Expansion

- 2x Full-size Mini PCIe Socket for Wi-Fi / GSM / Expansion Module
- 1x Universal I/O Bracket

Ethernet

- 2x Intel® I210 GbE LAN Port, Support Wake-on-LAN and PXE

Audio

- Codec: Realtek ALC888S
- 1x Mic-in and 1x Speak-out

Watchdog Timer

- Software Programmable Supports 256 Levels System Reset

Storage

- 1x 2.5" SATA SSD/HDD Bay
- 1x External CFast Socket
- 1x External SIM Card Socket

I/O Ports

- 1x USB 3.0 Port
- 3x USB 2.0 Port
- 4x DB9 for COM1~4,
(Support RS-232/422/485 with Auto Flow Control)
- 2x Antenna Hole
- 1x Power Switch
- 1x AT/ATX Switch

Digital Input & Output

- 4x Digital Input (Source Type)
 - Input Voltage (Dry Contact):
 - Logic 0: Close to GND
 - Logic 1: Open
 - Input Voltage:
 - Logic 0: 3V max.
 - Logic 1: 5V min. (DI to COM-)
- 4x Digital Output
 - Supply Voltage: 9~30VDC
 - Sink Current: 200 mA Max. Per Channel

Power

- Support AT, ATX Mode
- 1x 3-pin Terminal Block Connector with Power Input 9~48VDC
- 1x Optional AC/DC 12V/5A, 60W Power Adapter

Environment

- Operating Temperature: -25°C to 70°C
(With extended temperature peripherals; Ambient with Air Flow by IEC60068-2-1, IEC60068-2-2, IEC60068-2-14)
- Storage Temperature: -30°C to 85°C
- Relative Humidity: 10%~95% (Non-Condensing)
- Shock: 50 Grms
(With SSD According to IEC 60068-2-27, Half Sine, 11ms Duration)
- Vibration: Random: 5 Grms
(With SSD According to IEC 60068-2-64, 5~500Hz, 1 hr/axis)

Physical

- Dimension (WxDxH): 185 x 131 x 56.5 mm
- Weight: 1.58 kg
- Construction: Extruded Aluminum with Heavy Duty Metal
- Mounting: Wall, Optional Side / VESA / DIN-Rail Mounting

Operating System

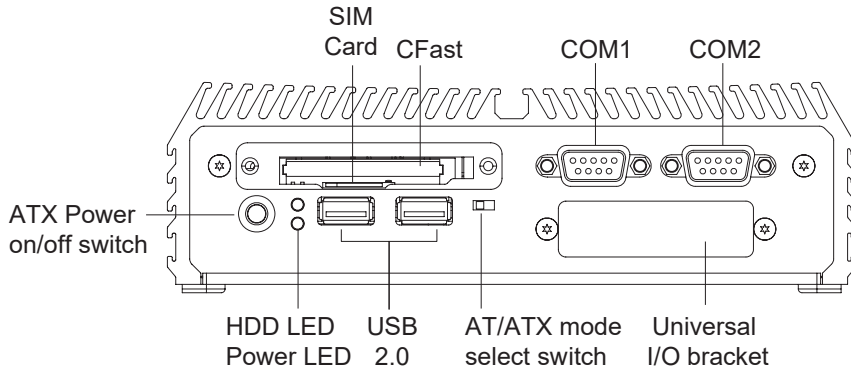
- Windows® 10
- Windows® 8.1
- Windows® 7
- Linux: Supports by Project

Certification

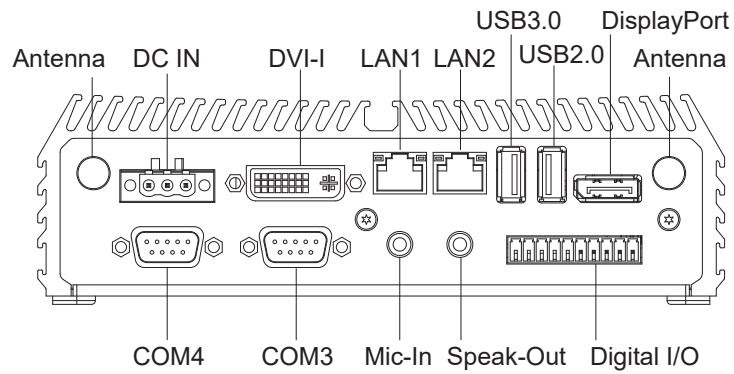
- CE
- FCC Class A
- E-Mark (E13, No.10R-0514062) Certified

External Layout

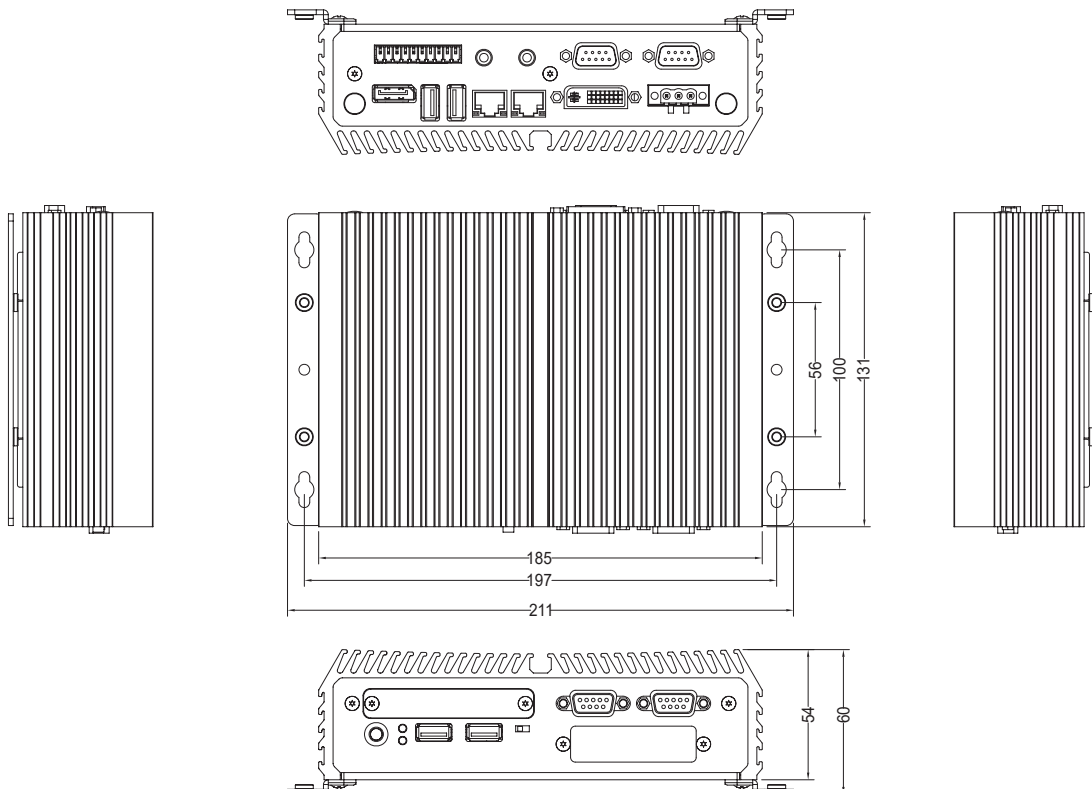
Front I/O



Rear I/O



Dimensions



Unit: mm

Ordering Information

Available Models

Model No.	Description
DC-1100	Intel® Atom™ E3845 Quad Core™ Compact Size Fanless Computer and 2x Mini-PCIe Expansion

Package Checklist

- DC-1100 Embedded System x 1
- Utility DVD Driver x 1
- DIO Terminal Block Connector x 1
- Power Terminal Block Connector x 1
- DVI-I to VGA Adapter x 1
- Screw Pack x 1
- Wall Mount Kit x 1

Optional Modules & Accessories

Model No.	Description
GST60A12-CIN1	Adapter AC/DC 12V 5A 60W with 3pin Terminal Block Plug 5.0mm Pitch, Level VI
SL2-SL3	US 2 heads power cord, US B type to IEC C13, SVT 18AWG/3C Black 1.8M
SL6-SL3	EU 2 heads power cord, EU G type to IEC C13, H05VV-F 0.75mm2/3G Black 1.8M
QP026-SL3	UK 2 heads power cord, UK I type to IEC C13, H05VV-F 0.75mm2/3G Black 1.8M
VESA-DC	DC series VESA Mount Kit
SIDE-DC	DC series SIDE Mount Kit
DINRAIL	Diamond series DIN-RAIL Mount Kit