

CS-117 | 17" TFT-LCD Sunlight Readable Display Module



- 17" TFT-LCD with Ultra High Brightness up to 1,500 nits and 1280 x 1024 (SXGA) Resolution
- Wide Range Operating Temperature -20°C to 70°C
- True Flat IP65 Front Panel Protection
- Rugged Aluminum Die-casting Bezel
- Convertible Display System (CDS) Technology Supported



Overview

CS-117 Series is 17" TFT-LCD touch display module. It offers 1,500 nits ultra high brightness and 1280 x 1024 (SXGA) resolution, allowing viewers to see clear images even under any bright ambient light or direct sunlight environments. CS-117 Series is a rugged and reliable display solution featuring wide range operating temperature -20°C to 70°C and a solid aluminum die-casting flat front panel with IP65 rating. Support of Convertible Display System (CDS) technology, CS-117 Series allows you to configure, upgrade and maintain your display system according to your need.

Specifications

Display

- LCD Size: 17" (5:4)
- Max. Resolution: 1280 x 1024
- Brightness (cd/m²): 1500
- Contrast Ratio: 800 : 1
- LCD Color: 16.7M
- Pixel Pitch (mm): 0.264 (H) x 0.264 (V)
- Viewing Angle (H-V): 160 / 140
- Backlight MTBF: 50000 hrs (LED Backlight)

Touch

- Projected Capacitive Touch

Physical

- Dimensions (WxDxH): 450 x 350 x 63.2 mm
- Weight: 5.64 kg
- Front Panel Construction: Flat Rugged Aluminum Die-casting Bezel

Environment

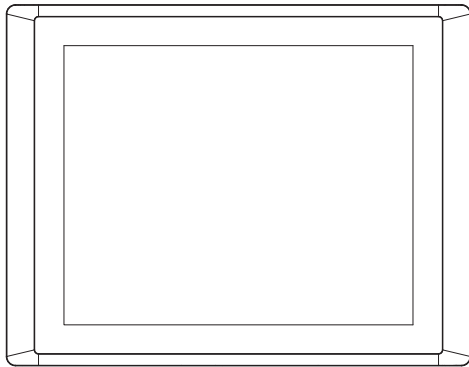
- Operating Temperature: -20°C to 70°C
(With extended temperature peripherals; Ambient with air flow According to IEC60068-2-1, IEC60068-2-2, IEC60068-2-14)
- Storage Temperature: -20°C to 70°C
- Relative Humidity: 80%RH @ 40°C (non-condensing)
- IP Level: IP65 Compliant Front Panel

Certification

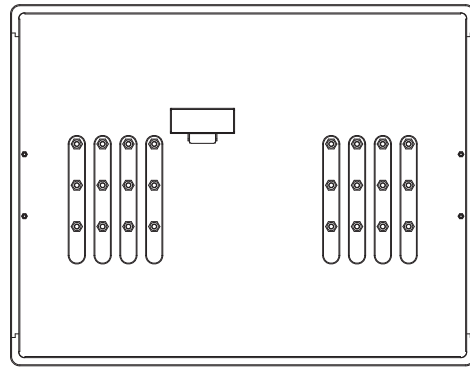
- CE
- FCC Class A

External Layout

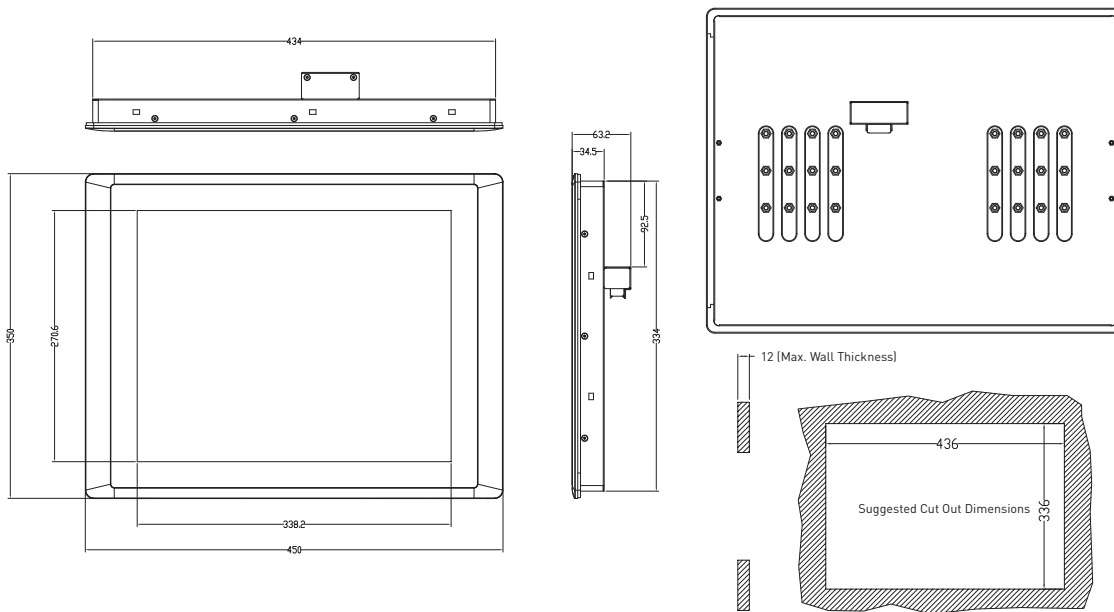
Front



Rear



Dimensions



Unit: mm

Ordering Information

Available Models

Model No.	Description
CS-117C-R10	17" TFT-LCD 1500 nits SXGA 5:4 Display Module with Projected Capacitive Touch

Package Checklist

- Display Module x 1
- Panel Mounting Kit x 1