

21.5" 16:9 FHD Capacitive Touch Waterproof IP66 Panel PC with Intel® Core™ i5/i3 Processor, 1x VGA, 2x USB 3.0, 2x M12 LAN, 1x COM



## FEATURES

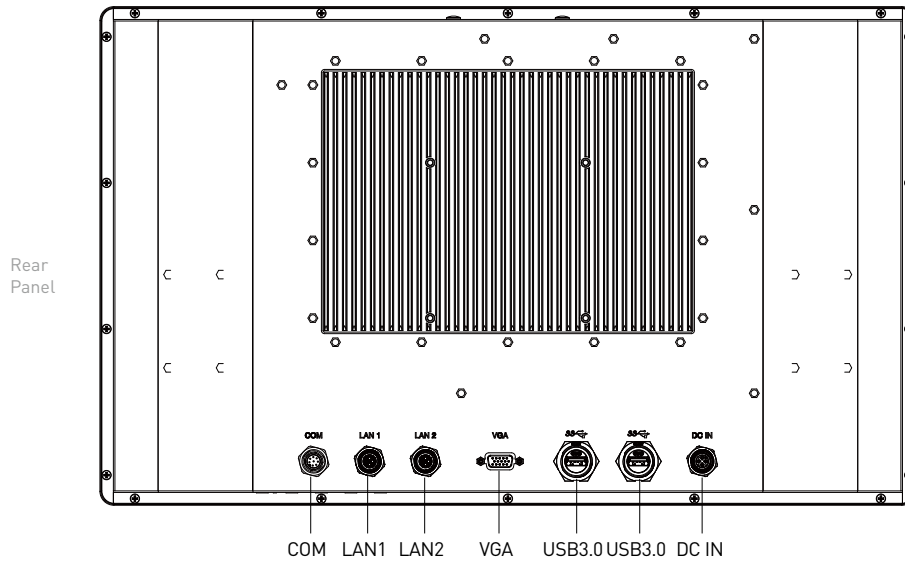
- 21.5" TFT FHD 16:9 LCD with Projected Capacitive Touch
- Intel® Core™ Processor i5-7300U, up to 3.5GHz / i3-7100U, 2.4GHz
- 8GB DDR4 SODIMM
- 1x 128GB mSATA SSD, 2x internal SIM socket
- Single display supported by 1x VGA (waterproof connector)
- 2x LAN by M12 X-Code 8-pin
- 1x RS-232/422/485 by M12 D-Code 8-pin
- 2x USB 3.0 (waterproof connector)
- 9 to 50VDC wide range power input
- -10°C to 60°C extended operating temperature
- Full system IP66 compliant
- Two 10W internal speakers built-in  
(Optional for IP65 Configuration)
- Multi-language OSD built-in

## SPECIFICATIONS

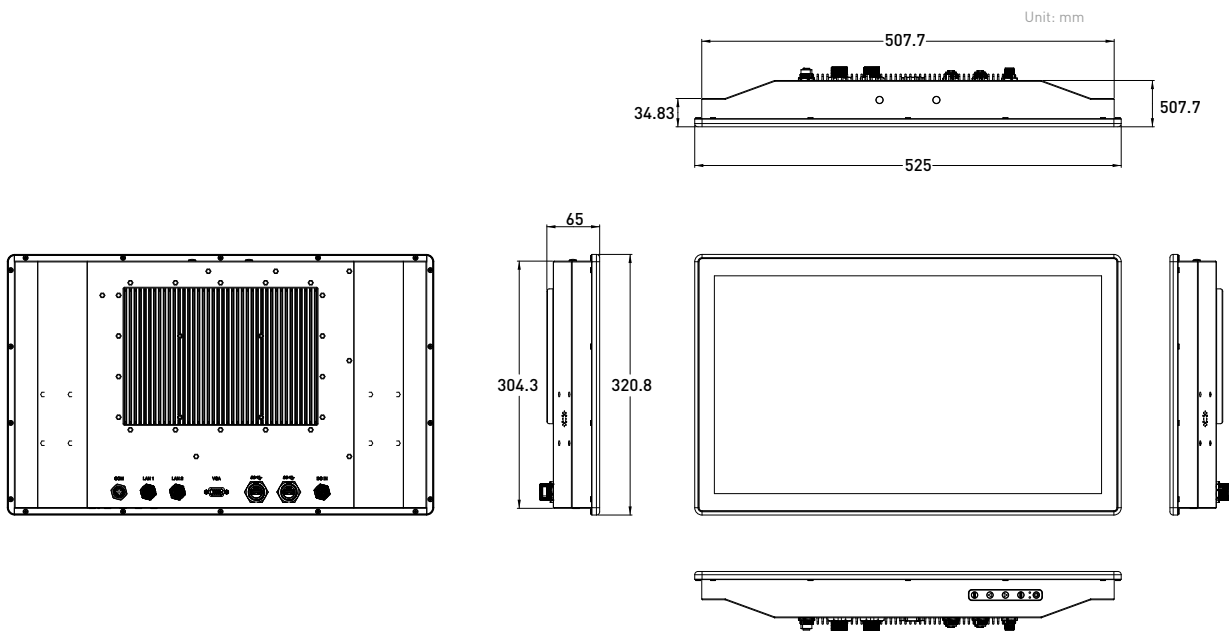
Display	
LCD Size	21.5" (16:9)
Max. Resolution	1920 x 1080
Brightness (cd/m <sup>2</sup> )	300 / 1000 (Optional)
Contrast Ratio	5000:1
LCD Color	16.7M
Pixel Pitch (mm)	0.248 (H) x 0.248 (V)
Viewing Angle (H-V)	178 / 178
Backlight MTBF	50000 hrs (LED Backlight)
Touch	
Projected Capacitive	10 Points
Surface hardness	7H
System	
Processor	7 <sup>th</sup> Gen Intel® Core™ i5-7300U Processor, Dual Core, 3MB Cache, up to 3.5 GHz 7 <sup>th</sup> Gen Intel® Core™ i3-7100U Processor, Dual Core, 3MB Cache, 2.4 GHz
System Chipset	SoC integrated
LAN Chipset	GbE1: Intel I219LM [Support Wake-on-LAN and PXE] GbE2: Intel I210-AT [Support Wake-on-LAN and PXE]
Audio Codec	Realtek ALC888S
System Memory	8GB DDR4 SODIMM
BIOS	AMI 128Mbit SPI BIOS
Watchdog	Software Programmable Supports 1~255 sec. System Reset
Storage	
mSATA	128GB mSATA SSD
SIM Socket	2x Internal SIM socket
Expansion	
Mini PCI Express	1x Full-size Mini PCIe
I/O	
VGA	1x Waterproof VGA
COM	1x RS-232/422/485 by M12 D-Code 8-pin
USB	2x USB 3.0 (Waterproof connector)
LAN	2x LAN by M12 X-Code 8-pin
Others	2x WiFi Antenna Holes

Other Features	
Internal Speaker	AMP 10W + 10W, Optional for IP65 Only
OSD	Power On/Off, Auto, Menu, Up and Down Multi-language
Operating System	
Windows	Windows 10
Linux	Linux kernel 4.X
Power	
Power Mode	ATX
Power Supply Voltage	9-50VDC
Power Connector	M12 A-code 4-pin
Power Adaptor	AC/DC 24V/5A, 120W with mating 1.5M Waterproof M12 Cable
Power Protection	OVP (Over Voltage Protection) OCP (Over Current Protection) Reverse Protection
Environment	
Operating Temp.	-10°C to 60°C
Storage Temp.	-20°C to 70°C
Relative Humidity	10%~80% (non-condensing)
Vibration	With SSD: 2.4 Grms, 10 - 500 Hz, 0.5 hr/axis With HDD: 1 Grms, 10 - 500 Hz, 0.5 hr/axis
Shock	With SSD: 20G, half sine, 11ms
IP Level	Full System IP66
Standards / Certification	CE, FCC Class A
Physical	
Front Panel Construction	Die-cast Flat Surface
Dimension	525 (W) x 320.8 (D) x 74 (H) mm
Weight	TBC
Mounting	VESA Mounting Holes 100 x 100mm

## EXTERNAL I/O MECHANICAL LAYOUT



## DIMENSION



## ORDERING INFORMATION

MODEL NO.	DESCRIPTION
1-TVGA00003	Waterproof VGA Cable 1.5M
1-TUSB00016	Waterproof USB 3.0 Cable 1.5M
1-TCOM00011	Waterproof COM Cable 1.5M
1-TLAN00006	Waterproof LAN Cable 1.5M

## PACKING LIST

- 1x W10-W221 Series Waterproof Panel PC
- 1x Utility DVD Driver
- 1x Waterproof Connector Cover Set
- 1x 120W Power Adapter with mating 1.5M Waterproof M12 Cable

## AVAILABLE MODELS

MODEL NO.	DESCRIPTION
W10-W221C-7300U	21.5" 16:9 FHD Capacitive Touch Waterproof IP66 Panel PC with Intel® Core™ i5-7300U Processor, 1x VGA, 2x USB 3.0, 2x M12 LAN, 1x COM
W10-W221C-7100U	21.5" 16:9 FHD Capacitive Touch Waterproof IP66 Panel PC with Intel® Core™ i3-7100U Processor, 1x VGA, 2x USB 3.0, 2x M12 LAN, 1x COM