



## Main Features

- Intel® Core™ processor dual core i5-4300U
- Three SIM cards + dual WWAN modules support
- Dual externally accessible SATA 3.0 SSD/HDD
- Built-in U-blox UBX-G6010 GPS, optional Dead Reckoning support
- Built-in CAN 2.0B. Optional OBDII function (SAE J1939/J1708)
- Wake on RTC/SMS via WWAN module
- Voice communication via WWAN module
- Compliant with MIL-STD-810G
- 4 x mini-PCIe socket rich expansion capability

## Product Overview

NViS 3620 features powerful new generation Intel® Core™ processor i5-4300U. Its CPU performance gives the users the ability to adapt to what they need in any Surveillance applications. Its Intel® HD graphics 4400 engine allows users to fully take advantage of NViS 3620 providing a wide variety of display I/O configurations of 2 different video outputs (VGA, DP). NViS 3620 is equipped with 2 externally accessible SSD/HDD tray users can easily download or upload the data on other devices by just removing the storage devices from NViS 3620. By integrating the variety of I/O ports and 4 x mini-PCIe sockets expansibility, NViS 3620 is not only suitable for video surveillance application, but also can meet the demand for other telematics applications, such as infotainment, fleet management and dispatching system. With dual SIM cards support, NViS 3620 allows three SIM cards backup each other for a better connectivity quality by software. In addition, three SIM cards + dual WWAN modules architecture can increase the bandwidth for a faster data transfer speed. Not only data transmission, NViS 3620 also supports two-way voice communication. Equipped with intelligent power management, NViS 3620 can be waked on by ignition, RTC timer or SMS/Ring remotely.

## Specifications

### CPU

- Intel® Core™ processor dual core i5-4300U, 1.9GHz

### Memory

- 2 channel 204-pin DDR3L SO-DIMM socket support 1333/1600MHz up to 16GB (default built-in 4GB)

### Storage

- 2 x 2.5" SATA 3.0 SSD/HDD (externally accessible), RAID 0/1 supported (optional lockable storage available)
- 1 x CFast (externally accessible)

### Expansion

- 1 x Full size mini-PCIe socket (USB 2.0)
- 1 x Full size mini-PCIe socket (USB 2.0 + PCIe)
- 1 x Full size mini-PCIe socket (USB 2.0 + PCIe)
- 1 x Half size mini-PCIe socket (USB 2.0 + PCIe)

### Function

- 1 x default U-blox UBX-G6010 GPS module (50-channel and GALIELO) or optional modules with Dead Reckoning or GLONASS support
- Built-in G-sensor

### Software Support

- Windows 8, WES8

- Window 7, WES7
- Linux kernel 3.X

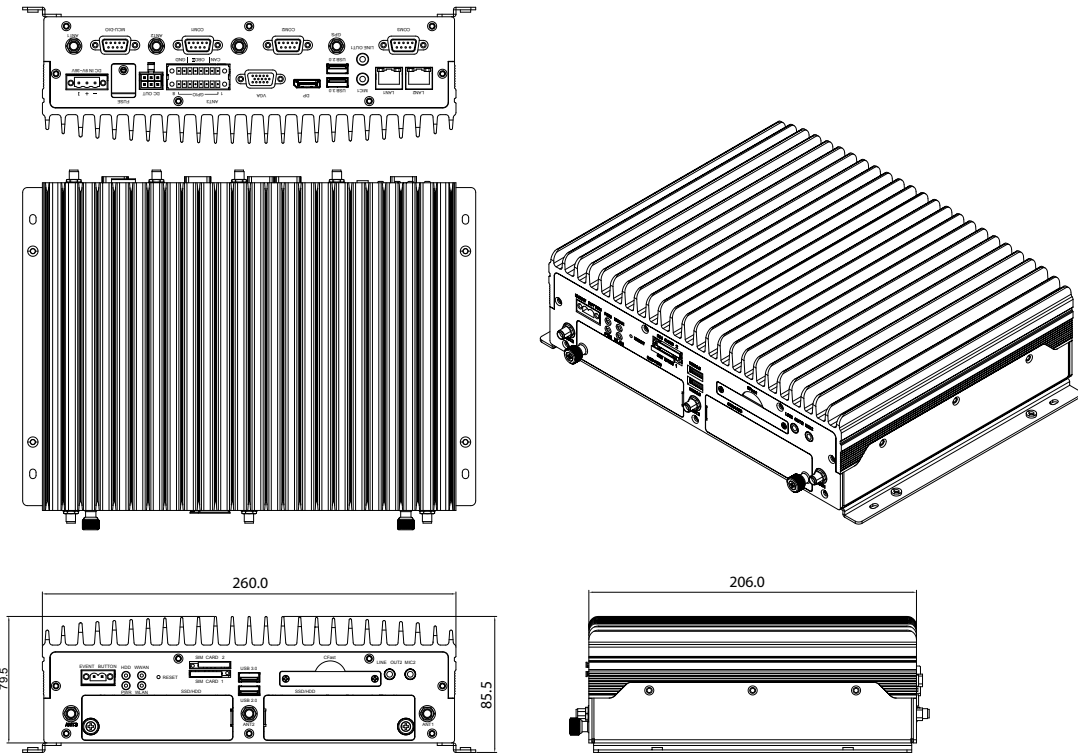
### I/O Interface-Front

- 4 x LED For power, storage, WWAN, WLAN
- 2 x Externally accessible SATA 3.0 SSD/HDD tray, RAID 0/1 supported (optional lockable storage available)
- 1 x Dual USB type A connector for USB 3.0 port + USB 2.0 port
- 2 x Externally accessible SIM card socket (selectable)
- 1 x Phone jack 3.5mm for 1 x MIC-in
- 1 x Phone jack 3.5mm for 1 x Line-out
- 1 x Externally accessible CFast card socket with cover
- 1 x Event button (trigger type)
- 1 x Reset button
- 3 x Antenna hole for WWAN/WLAN/BT

### I/O Interface-Rear

- 1 x 9 ~ 36VDC input with ignition
- 1 x Dual USB type A connector for USB 3.0 port + USB 2.0 port
- 2 x RJ45 10/100/1000 Fast Ethernet with LED
- 1 x Phone jack 3.5mm for 1 x MIC-in
- 1 x Phone jack 3.5mm for 1 x Line-out with 1.5W output each
- 1 x DB-15 VGA. Resolution up to 2560 x 1600 @60Hz
- 1 x DP port. Resolution up to 2560 x 1600 @60Hz
- 2 x DB-9 RS232

## Dimension Drawing



- 1 x DB-9 RS232/422/485 (RI/5V/12V selectable)
- 1 x DB-9 for CAN 2.0B (optional CAN Bus 2.0B mini-PCIe card), 2 x MCU-DI and 2 x MCU-DO
- 1 x 16-pin terminal block
- 1 x CAN Bus 2.0B (on board)
- 1 x Optional OBDII module (ASE J1939 or J1708)
- 8 x Programmable GPIO  
(Digital Input)  
Input voltage (internal type): 5VDC TTL (default)  
Input voltage (source type): 3 ~ 12VDC  
(Digital Output)  
Digital output (sink type): 5VDC TTL (default), max. current: 20mA  
Digital output (source type): 3 ~ 24VDC, max. current: 150mA
- 1 x 12VDC output (2A), SM Bus
- 4 x Antenna hole for WWAN/WLAN/BT/GPS
- 1 x Fuse (15A)

### Power Management

- Selectable boot-up & shut-down voltage for low power protection by software
- Setting 8-level power on/off delay time by software
- Status of ignition and low voltage can be detected by software
- Support S3/S4 suspend mode

### Dimensions

- 260mm (W) x 206mm (D) x 79.5mm (H) (10.24" x 8.11" x 3.13")
- Weight: 2.5kg

### Environment

- Operating temperature: Ambient with air -30°C ~ 60°C
- Storage temperature: -35°C ~ 85°C
- Relative humidity: 10% ~ 90% (non-condensing)
- Vibration (random): 1.5g@5 ~ 500Hz (in operation, HDD), 2g@5 ~ 500Hz (in operation, SSD)
- Vibration (SSD/HDD):  
Operating: MIL-STD-810G, Method 514.6, Category 4, common carrier  
US highway truck vibration exposure  
Storage: MIL-STD-810G, Method 514.6, Category 24, minimum integrity test

- Shock (SSD/HDD):  
Operating: MIL-STD-810G, Method 516.6, Procedure I, functional shock=20g Non-operating: MIL-STD-810G, Method 516.6, Procedure V, crashhazard shock test=75g

### Certifications

- CE approval
- FCC Class B
- E13 Mark

## Ordering Information

- NVi 3620 (P/N: 10C00362000X0)