



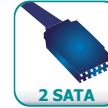
TPC170-SD

Q170

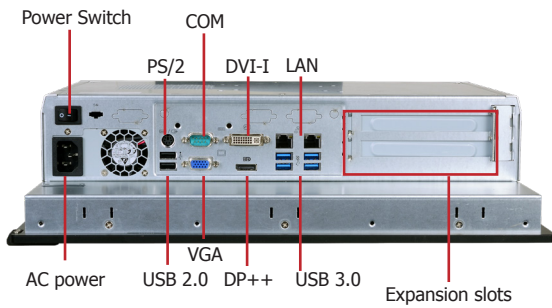


Features

- 17" 1280x1024 TFT LCD Panel with Touch Screen
- 2 x 2.5" SATA drive bays
- 1 USB 2.0 at the front panel for easy access
- 5 function keys at the front panel
- VESA/Panel Mount



Panel

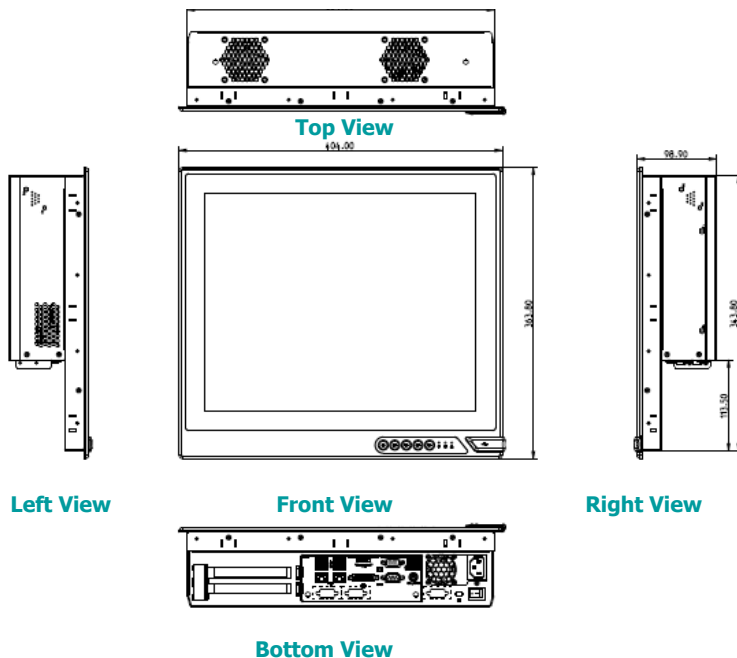


Bottom View



Top View

Dimensions



Left View

Front View

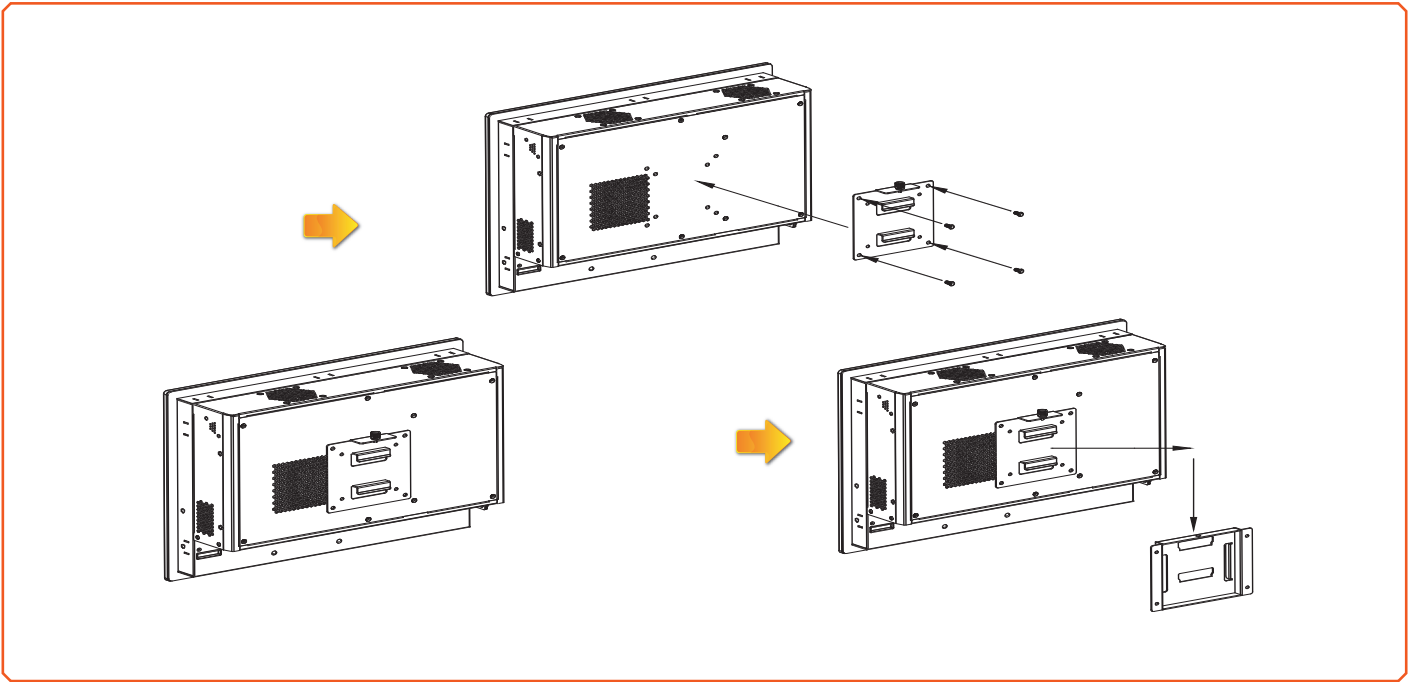
Right View

Bottom View

Specifications

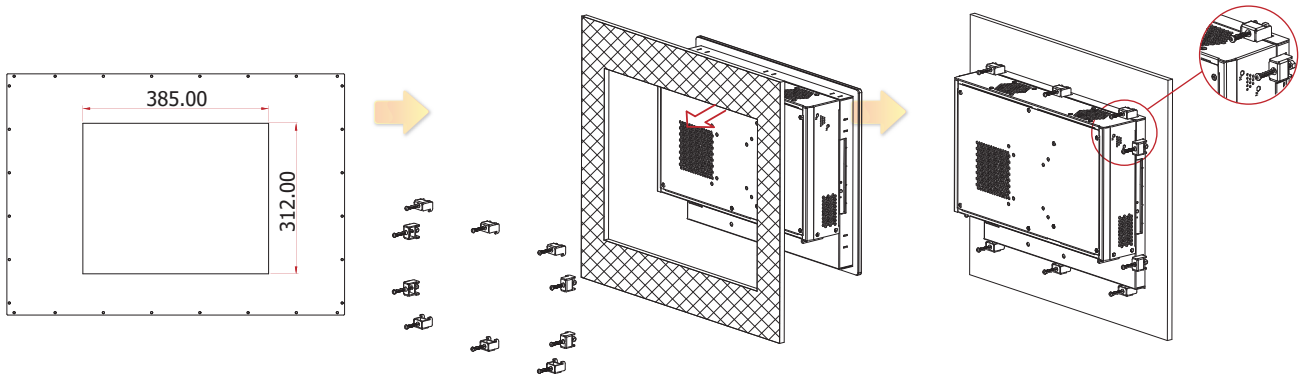
SYSTEM	Processor	7th Generation Intel® Core™ Processors, LGA 1151 Socket Intel® Core™ i7-7700 Processor, Quad Core, 8M Cache, 3.6GHz (4.2GHz), 65W Intel® Core™ i5-7500 Processor, Quad Core, 6M Cache, 3.4GHz (3.8GHz), 65W Intel® Core™ i3-7101E Processor, Dual Core, 3M Cache, 3.9GHz, 65W 6th Generation Intel® Core™ Processors, LGA 1151 Socket Intel® Core™ i7-6700, Quad Core, 8M Cache, 3.4GHz (4.0GHz), 65W Intel® Core™ i5-6500, Quad Core, 6M Cache, 3.2GHz (3.6GHz), 65W Intel® Pentium® G4400, Dual Core, 3M Cache, 3.3GHz, 47W Intel® Celeron® Processor G3900, Dual Core, 2M Cache, 2.8GHz, 65W
	Memory	Two 260-pin SODIMM up to 32GB Dual Channel DDR4 1866/2133MHz
DISPLAY AND TOUCH SCREEN	Display	17" 1280x1024 TFT LCD Panel with Projected Capacitive Touch and Resistive Touch Screen
	Brightness	350 cd/m ²
	View Angle	170 (H) / 160 (V)
	Backlight Lifetime	30,000 MTBF LED Backlight
STORAGE		2 x 2.5" SATA 2.0 Drive Bay
EXPANSION	Interface	1 x Full-size mSATA (PCIe/USB) 2 x PCIe x8 or 2 x PCI + 1 x Mini PCIe
ETHERNET	Controller	1 x Intel® I211AT PCIe (10/100/1000Mbps) 1 x Intel® I219V PCIe (10/100/1000Mbps)
Rear I/O	Ethernet	2 x GbE (RJ-45)
	Serial	1 x RS-232 (DB-9) 1 x RS-232 (DB-9) (available upon request) 1 x RS-232/422/485 (available upon request)
	USB	4 x USB 3.0 2 x USB 2.0
	PS/2	1 x PS/2 (mini-DIN-6)
	Display	1 x VGA 1 x DVI-I (DVI-D signal) 1 x DP++
	Audio	1 x Line-out (available upon request)
Front I/O	USB	1 x USB 2.0
POWER	Type	100-240VAC
	Connector	C14 Connector
	Consumption	TBD
OS SUPPORT		Windows 7 (/WES7) 32/64-bit Windows 10 IoT Enterprise 64-bit Linux
MECHANISM	Construction	Sheet Metal
	IP Rating	IP65 front bezel
	Mounting	Panel/VESA (75x75/100x100) Mount
	Dimensions (W x H x D)	404 x 363.8 x 98.9 mm
	Weight	TBD
ENVIRONMENT	Operating Temperature	0 to 50°C
	Storage Temperature	-30 to 70°C
	Relative Humidity	10% to 90% @ 40°C (non-condensing)
STANDARDS AND CERTIFICATIONS	Certifications	CE, FCC Class A

▶ VESA Mounting



▶ Panel Mounting

Suggested cut out size
(The flat panel thickness is less than 10mm)



► **Ordering Information**

Model Name	Part Number	Description
TPC170R-SDAC-2PCI	750-TPC171-000G	17" Panel PC ; SD100, Q170 chipset, AC input, 5-wire Resistive Touch, 2 x PCI, F/G SYSTEM, RoHs
TPC170P-SDAC-2PCI	750-TPC171-100G	17" Panel PC ; SD100, Q170 chipset, AC input, capacitive touch, 2 x PCI, F/G SYSTEM, RoHs
TPC170R-SDAC-2PCIE	750-TPC171-200G	17" Panel PC ; SD100, Q170 chipset, AC input, 5-wire Resistive Touch, 2 x PCIe x8, F/G SYSTEM, RoHs
TPC170P-SDAC-2PCIE	750-TPC171-300G	17" Panel PC ; SD100, Q170 chipset, AC input, capacitive touch, 2 x PCIe x8, F/G SYSTEM, RoHs

► **Optional Items**

Optional Items	Part Number	Description
HDD	785-H25500G	2.5" SATA HDD, 500GB, RoHS
	785-H25320G	2.5" SATA HDD, 320GB, RoHS
Wi-Fi	761-110091-000G	Wi-Fi kit, RoHS
Power Cord	785-PWRD	Power cord, Standards (USA/EUR/CH), 1.8m, RoHS
Wall Mount	785-PPCWMK	Standard Panel PC Wall Mount kit
Panel Mount	761-TPC120-000G	15" Panel PC Panel Mount kit

► **Packing List**

- 1 TPC170-SD Touch Panel PC
- 1 Quick Installation Guide