



## SSD4470-C V1

### 44.7" Resizing LCD, 2000 nits LED Backlight , 1920x675 ultra-wide aspect ratio 16:5.6

The SSD4470-C V1 is a 44.7 inch color TFT-LCD display with special aspect ratio 16:5.6 and wide resolution 1920 x 675. It is Litemax's Spanpixel series product which designed for high brightness 2000 nits with power efficiency LED backlight. It provides LCD panel with specific aspect ratios and sunlight readable for digital signage, public transportation, exhibition hall, department store, and vending machine.

#### Key Features

- Resizing LCD
- Ultra-Wide Screen (16 : 5.6)
- High Brightness 2000 nits
- LED Backlight
- Low Power Consumption
- BL MTBF: 100,000 hours



### Specifications

Model Name	SSD4470-C V1
Description	44.7" Resizing LCD, 2000 nits LED backlight, 1920x675
Screen Size	44.7"
Display Area (mm)	1073.779(H) x 377.500(V)
Brightness	2000 cd/m <sup>2</sup>
Resolution	1920x675
Aspect Ratio	16 : 5.6
Contrast Ratio	5250 : 1
Pixel Pitch (mm)	0.559(H) x 0.559(V)
Pixel Pre Inch (PPI)	45
Viewing Angle	178°(H),178°(V)
Color Saturation (NTSC)	83%
Display Colors	16.7M
Response Time (Typical)	6.5ms
Panel Interface	LVDS
AD Board Input Interface	DVI,HDMI,DP
AD Board Input Power	AC 100~240V
Power Consumption	110W
OSD Key	4 Keys (Power Switch, Menu, +, -)
OSD Control	Brightness, Color, Contrast, Auto Turing, H/V Position...etc
Dimensions (mm)	1105.6(H) x 412.6(V) x 64.2 (T)
Bezel Size(U/B/L/R)	15.5/15.5/13.9/13.9 mm
Mounting	650x100 , 300x75
Weight (Net)	15.1kg
Operating Temperature	0 °C ~ 50 °C
Storage Temperature	-20 °C ~ 60 °C

**SSD= Panel+ LED Driving Board + AD Control Board + Housing**

*Specifications are subject to change without notice.*

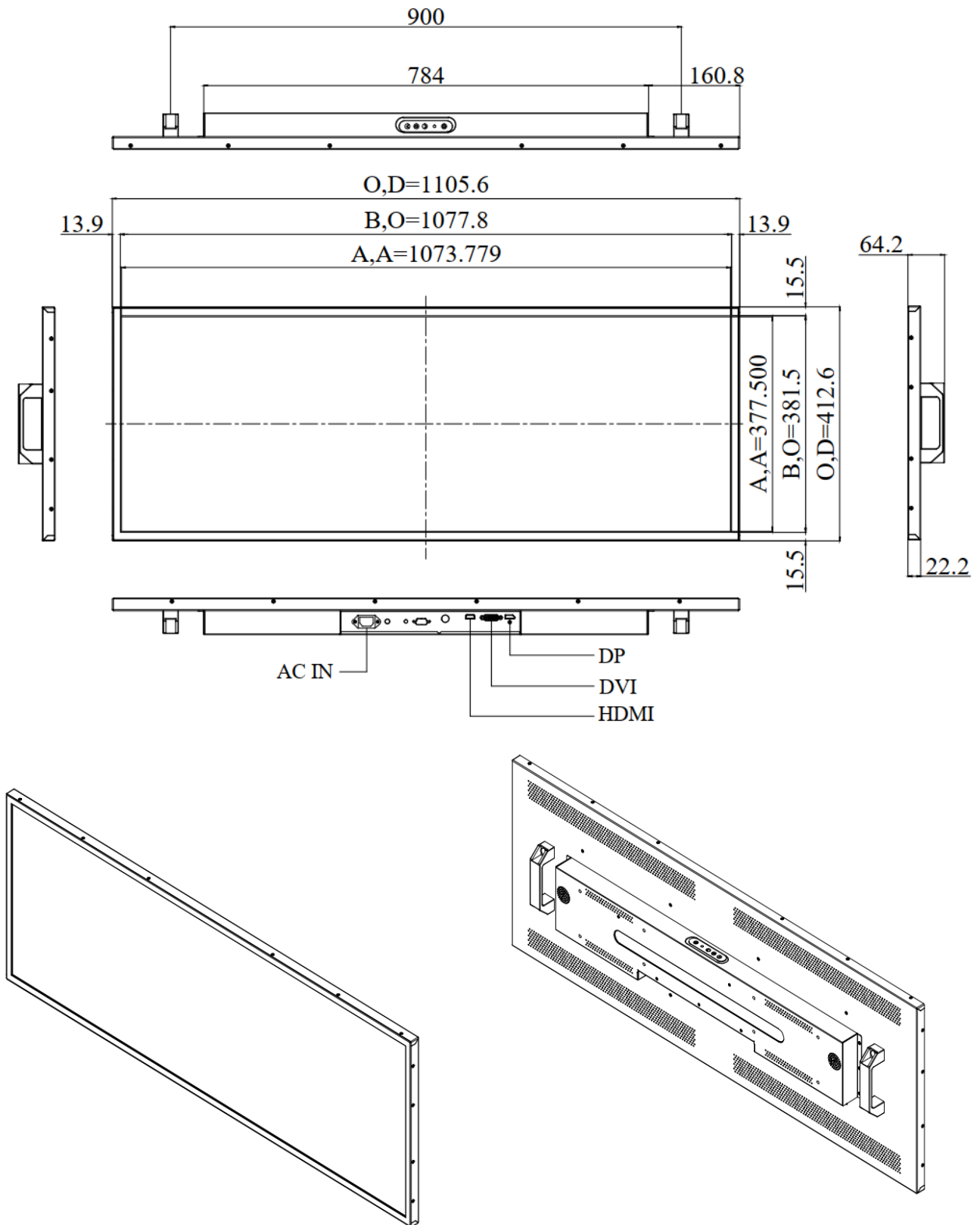
*All brands or product names are trademarks or registered trademarks of their respective companies.*

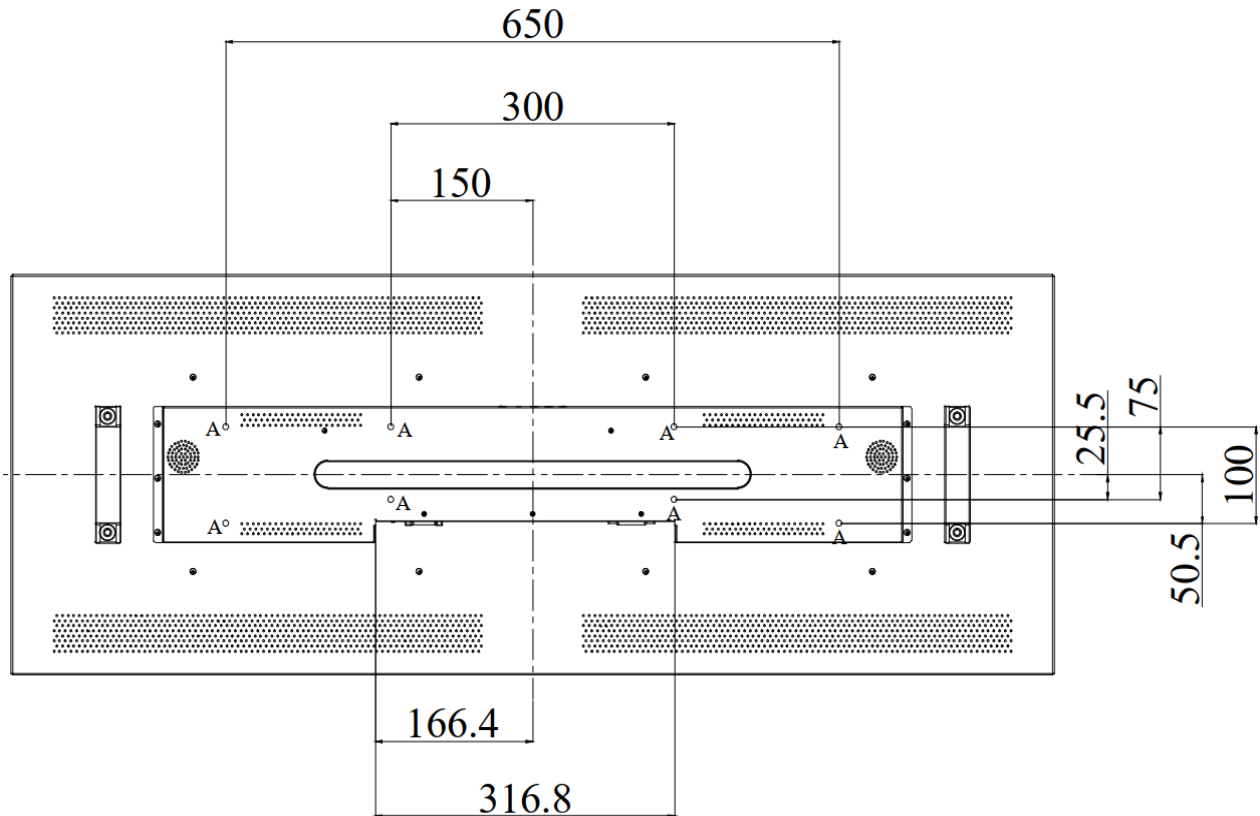


## Mechanical Drawing

### Outline Dimensions

Unit:mm





**NOTE :**

O.D. : OUTLINE DIMENSION

B.O. : BEZEL OPENING

A.A. : LCD ACTIVE AREA

A : 4-M6\_USER HOLE\_MAX Depth=8mm



### Ordering Information

Part Number	Description
SSD4470-CNB-Q01	44.7",2000nits,1920x675,LID44C,AD8891DHP,O/B,AC100~240V,3in1,V1

### Optional Accessories

Part Number	Description
810618301010	CABLE,POWER,AC,1830mm USA type
810618301090	CABLE,POWER,AC,1830mm Europe type
810618301050	CABLE,POWER,AC,1830mm UK type
810618301170	CABLE,POWER,AC,1830mm Australia type
810618301031	CABLE,POWER,AC,1830mm Japan type

### Customer request

Touch	SCT (Single-Touch), PCT (Multi-Touch)
Glass	Tempered glass, AR coating.....