



SSD4315-C V1

43.1" Resizing LCD, 1000 nits LED Backlight , 1920x358 ultra-wide aspect ratio 16:3

The SSD4315-C V1 is a 43.1 inch color TFT-LCD display with special aspect ratio 16:3 and wide resolution 1920 x 358. It is Litemax's Spanpixel series product which designed for high brightness 1000 nits with power efficiency LED backlight. It provides LCD panel with specific aspect ratios and sunlight readable for digital signage, public transportation, exhibition hall, department store, and vending machine.

Key Features

- Resizing LCD
- Ultra-Wide Screen (16 : 3)
- High Brightness 1000 nits
- LED Backlight
- Low Power Consumption
- BL MTBF: 100,000 hours



Specifications

Model Name	SSD4315-C V1
Description	43.1" Resizing LCD, 1000 nits LED backlight, 1920x358
Screen Size	43.1"
Display Area (mm)	1073.779(H) x 200.210(V)
Brightness	1000 cd/m ²
Resolution	1920x358
Aspect Ratio	16 : 3
Contrast Ratio	5750 : 1
Pixel Pitch (mm)	0.559(H) x 0.559(V)
Pixel Pre Inch (PPI)	45
Viewing Angle	178°(H),178°(V)
Color Saturation (NTSC)	83%
Display Colors	16.7M
Response Time (Typical)	6.5ms
Panel Interface	LVDS
AD Board Input Interface	DVI,HDMI,DP
AD Board Input Power	DC 12V
Power Consumption	39W
OSD Key	4 Keys (Power Switch, Menu, +, -)
OSD Control	Brightness, Color, Contrast, Auto Turing, H/V Position...etc
Dimensions (mm)	1107.3(H) x 248.1(V) x 67.2 (T)
Bezel Size(U/B/L/R)	22/22/14.8/14.8 mm
Mounting	650x100 , 300x75
Weight (Net)	9.1kg
Operating Temperature	0 °C ~ 50 °C
Storage Temperature	-20 °C ~ 60 °C

SSD= Panel+ LED Driving Board + AD Control Board + Housing

Specifications are subject to change without notice.

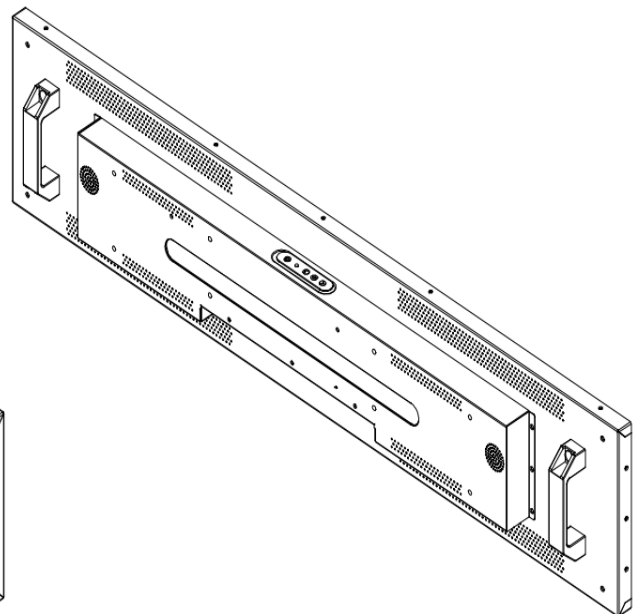
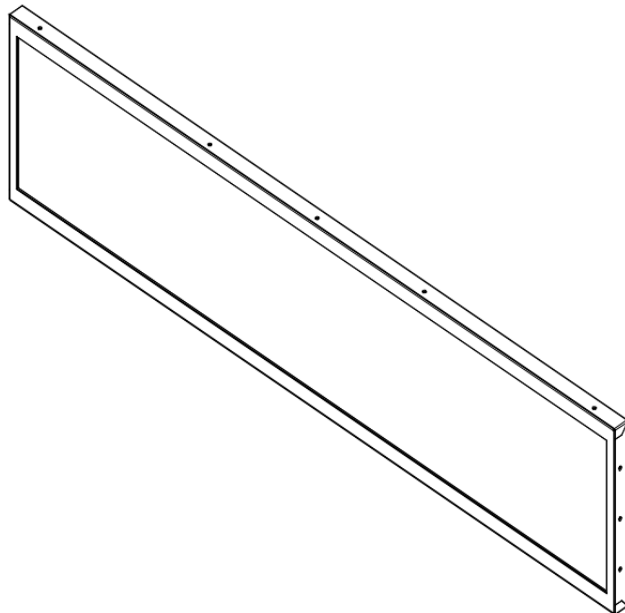
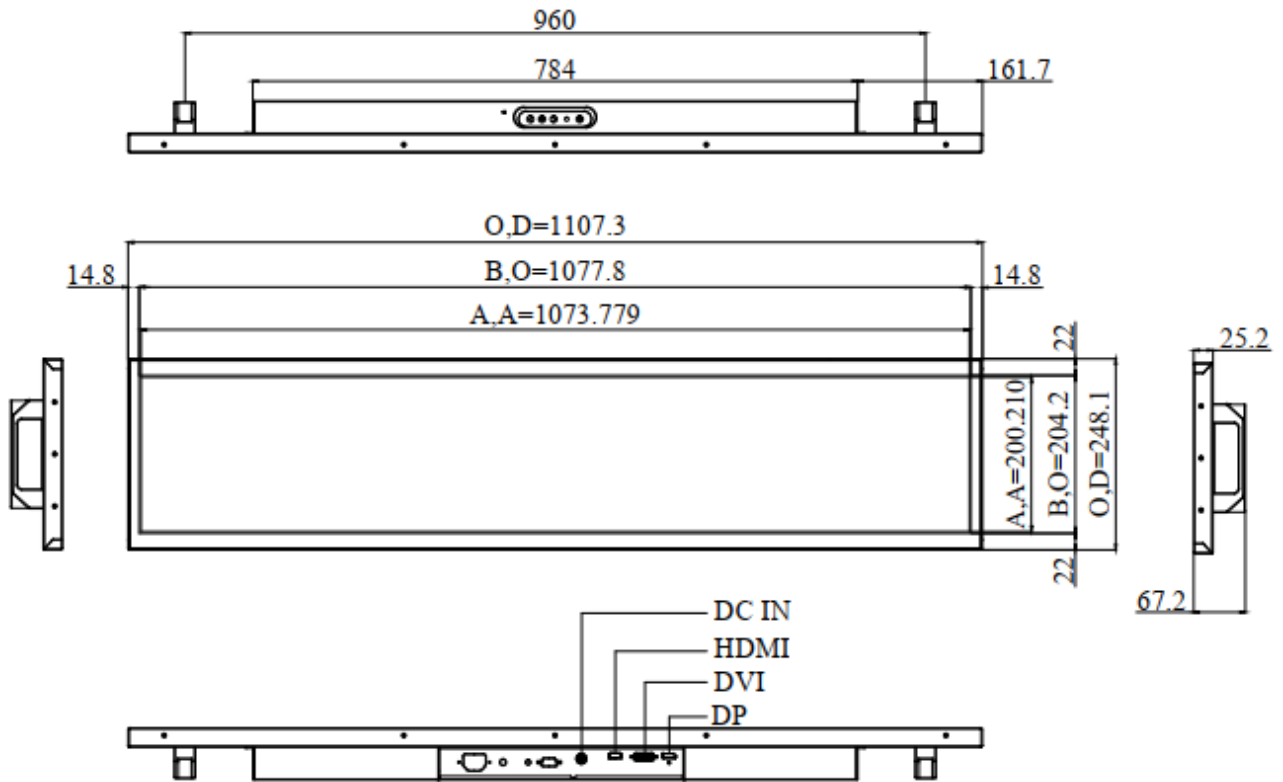
All brands or product names are trademarks or registered trademarks of their respective companies.

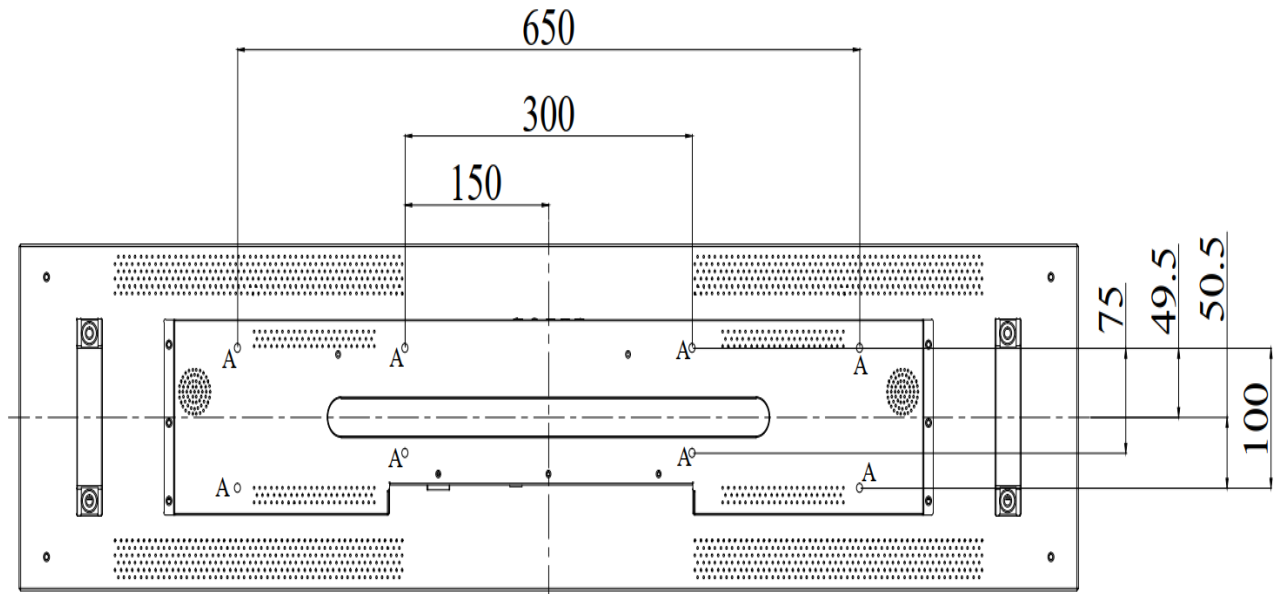
Mechanical Drawing



Outline Dimensions

Unit:mm





NOTE :

O.D. : OUTLINE DIMENSION

B.O. : BEZEL OPENING

A.A. : LCD ACTIVE AREA

A : 4-M6_USER HOLE_MAX Depth=8mm



Ordering Information

Part Number	Description
SSD4315-CNB-Q01	43.1",1000nits,1920X358,LID43C,AD8891DHP,O/B,DC12V,3in1,V1

Optional Accessories

Part Number	Description
840612051212	ADAPTER,AC/DC,12V/5A,60W,Power-Din-4P,CWT,G99-ABF060F-N022,Efficiency-level-6,R
810618301010	CABLE,POWER,AC,1830mm USA type
810618301090	CABLE,POWER,AC,1830mm Europe type
810618301050	CABLE,POWER,AC,1830mm UK type
810618301170	CABLE,POWER,AC,1830mm Australia type
810618301031	CABLE,POWER,AC,1830mm Japan type

Customer request

Touch	SCT (Single-Touch), PCT (Multi-Touch)
Glass	Tempered glass, AR coating.....