

ECX700-AL

Intel® Atom® Processor E3900 Series
Ruggedized Fanless Embedded System



KEY FEATURES



Outdoor IoT Gateway

Ruggedized IPC67 grade box PC



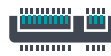
Wide Temperature

Operating temperature: -40° to 70° C



Wide Voltage

Power range: 9~36V



eMMC

4GB DDR3 onboard, 64G eMMC



Wireless

Optional WiFi, LTE, CanBus



PANEL



Top View



Bottom View

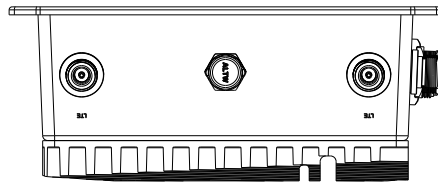


Right View

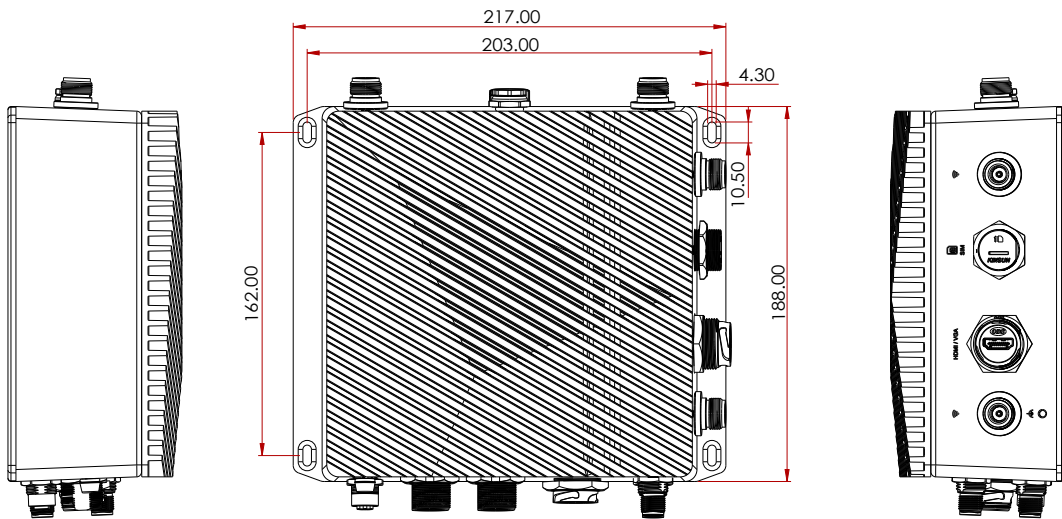


Stand View

DIMENSIONS

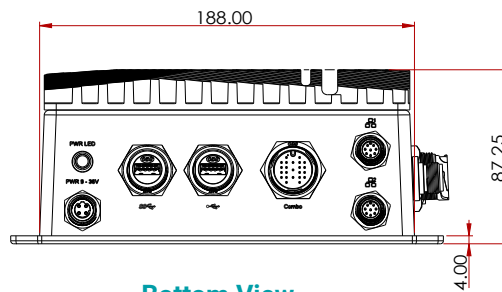


Sky View



Left View

Right View



Bottom View

SPECIFICATION

SYSTEM	Processor	Intel® Atom® Processor E3900 Series, BGA 1296 Intel® Atom® x7-E3950 Processor, Quad Core, 2M Cache, 1.6GHz (2.0GHz), 12W Intel® Atom® x5-E3940 Processor, Quad Core, 2M Cache, 1.6GHz (1.8GHz), 9.5W Intel® Atom® x5-E3930 Processor, Dual Core, 2M Cache, 1.3GHz (1.8GHz), 6W	
	Memory	2GB/4GB/8GB memory onboard	
	BIOS	AMI SPI 128Mbit (supports UEFI/Legacy mode and Security Boot (optional))	
GRAPHICS	Controller	Intel® HD Graphics	
	Feature	OpenGL 4.2, Direct X 11.1, OpenCL 1.2, OGL ES 3.0 HW Decode: H.264, MPEG2, VC1, VP8, H.265, MPEG4, MVC, VP9, WMV9, JPEG/MJPEG HW Encode: H.264, MPEG4, VP8, H.265, MVC	
	Display	1 x HDMI or VGA	VGA: resolution up to 1920 x 1200@60Hz HDMI: resolution up to 3840x2160@30Hz
STORAGE	EMMC	Support EMMC up to 8G/16GB/32GB/64GB (optional)	
EXPANSION	Interface	1 x Full-size Mini PCIe for 4G LTE module 1 x Full-size Mini PCIe for Canbus 1 x M.2 2230 (USB2.0/PCIe) for WiFi module	
ETHERNET	Controller	2 x Intel® I210AT PCIe (10/100/1000Mbps)	
LED	Indicators	1 x Power Status LED	
BOTTOM I/O	USB	2 x USB 3.0	
	LAN	2 x GbE	
	Combo	2 x RS232 and 2 x Can bus protocol	
	Power	1 x 9~36V DC-IN	
TOP I/O	Antenna Hole	2 x Antenna (LTE)	
	Vent	1 x Vent	
FRONT I/O	Display	1 x HDMI or 1 x VGA (optional)	
	SIM slot	1 x SIM card slot	
	Antenna Hole	2 x Antenna (WiFi)	
WATCHDOG TIMER	Output & Interval	System Reset, Programmable via Software from 1 to 255 Seconds	
SECURITY	TPM	TPM 1.2/ 2.0	
POWER	Type	DC-in 9~36V	
	Connector	M12 D-code	
OS SUPPORT	Microsoft	Windows 10 IoT Enterprise 64-bit	
	Linux	Linux	
MECHANISM	Mounting	Wall Mount	
	Dimensions (W x H x D)	217 x 188 x 87 mm (with wall-mount bracket)	
	Weight	2.1 kg	
ENVIRONMENT	Operating Temperature	-40 to 70°C (E3950,E3940, E3930 only)	
	Storage Temperature	-40 to 85°C	
	Relative Humidity	5 to 95% RH (non-condensing)	
STANDARDS AND CERTIFICATIONS	Construction	IP67 enclosure	
	Certifications	CE, FCC class A	

ORDERING INFORMATION

Model Name	Part Number	Description
ECX700-AL	TBD	ECX700-AL-B00: E3950, 4G memory down, 64G emmc, LED, PWR, 1 USB 3.0, 1 USB 2.0, 2 LAN
ECX700-AL	TBD	ECX700-AL-BW0: E3950, 4G memory down, 64G emmc, LED, PWR, 1 USB 3.0, 1 USB 2.0, 2 LAN, WiFi
ECX700-AL	TBD	ECX700-AL-PC0: E3950, 4G memory down, 64G emmc, LED, PWR, 1 USB 3.0, 1 USB 2.0, 2 LAN, 1 HDMI or VGA, 2 COM
ECX700-AL	TBD	ECX700-AL-PC1: E3950, 4G memory down, 64G emmc, LED, PWR, 1 USB 3.0, 1 USB 2.0, 2 LAN, 1 HDMI or VGA, 2 COM + 2 CAN
ECX700-AL	TBD	ECX700-AL-PC2: E3950, 4G memory down, 64G emmc, LED, PWR, 1 USB 3.0, 1 USB 2.0, 2 LAN, 1 HDMI or VGA, 2 COM + 2 CAN, WiFi
ECX700-AL	TBD	ECX700-AL-PC3: E3950, 4G memory down, 64G emmc, LED, PWR, 1 USB 3.0, 1 USB 2.0, 1 HDMI or VGA, 2 COM + 2 CAN, WiFi, LTE
ECX700-AL	TBD	ECX700-AL-PC4: E3950, 4G memory down, 64G eMMC, LED, PWR, 1 USB 3.0, 1 USB 2.0, 2 LAN, 1 HDMI or VGA, 2 COM + 2 Can, WiFi, LTE
ECX700-AL	TBD	ECX700-AL-I00: E3950, 4G memory down, 64G emmc, LED, PWR, 1 USB 3.0, 1 USB 2.0, WiFi, LTE