

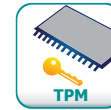


## RPC101-AL



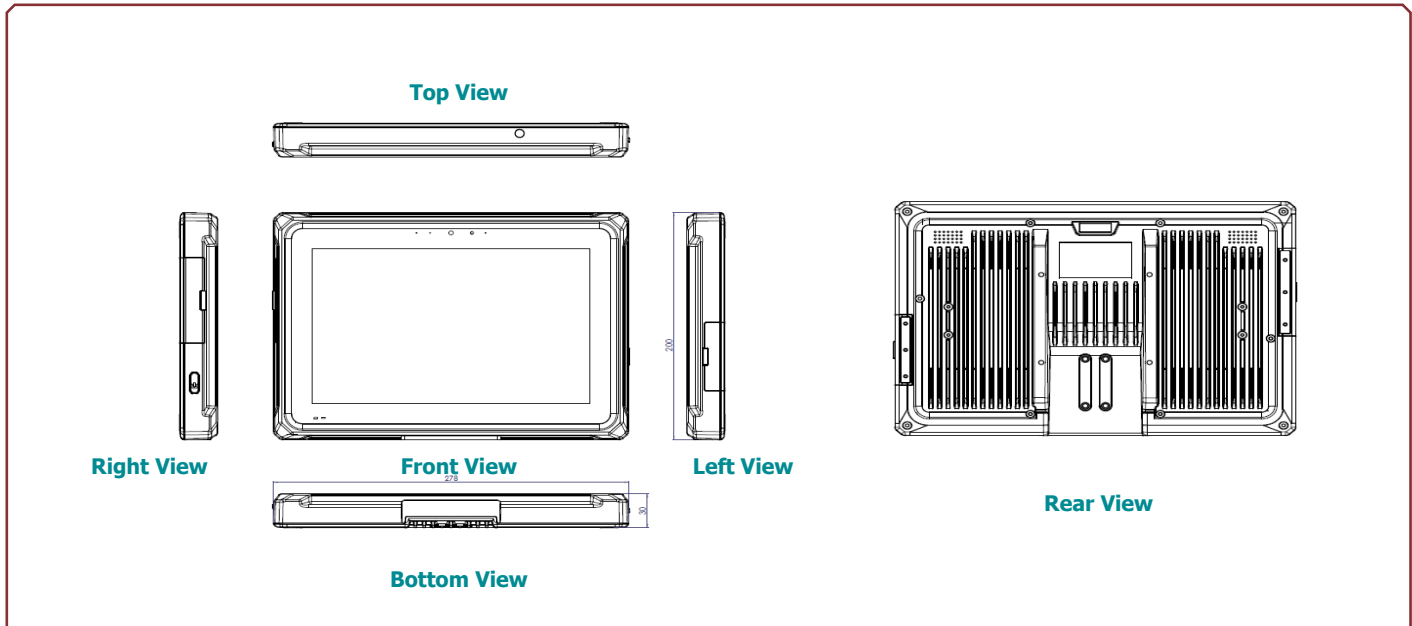
### ► Features

- IP54 Protection
- 500 nits sunlight readable display
- Capacitive touch supports glove touch, 2mm hard tip stylus; digitizer by request
- GNSS, Wi-Fi, Bluetooth and optional 4G LTE



Rear View

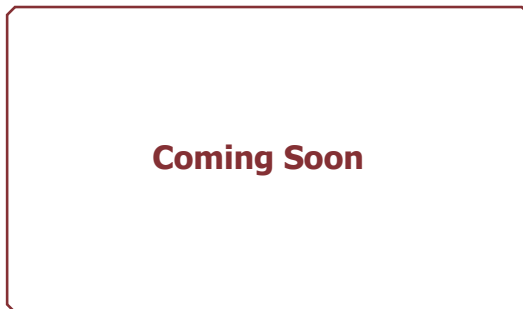
### ► Dimensions



► Specifications

<b>SYSTEM</b>	<b>Processor</b>	Intel Atom® x7-E3950 Processor Quad Core 1.6GHz, 2.0GHz
	<b>Memory</b>	4GB 2 LPDDR4 SDRAM 16Gb (512M*32)
<b>DISPLAY AND TOUCH SCREEN</b>	<b>Display</b>	10.1" Panel (1280*800)
	<b>Brightness</b>	500 cd/m <sup>2</sup>
	<b>Sensor</b>	InvenSense
<b>STORAGE</b>	<b>SSD</b>	Option (mSATA for storage By M.2 2230), eMMC Reserve
<b>COMMUNICATION</b>	<b>Wireless</b>	By M.2 2230 connector, Option By Mini-PCIe Connector, Option GPS module, SMD,(16x12.2x2.4mm),NEO-M8L(UBLOX)
<b>CAMERA</b>	<b>Rear Camera</b>	1 x 5M Auto focus, Flash Light SOC CMOS Camera
<b>LED</b>	<b>Indicator</b>	1 x LED (Color Red + Green), 1 x LED (color: Blue)
<b>I/O</b>	<b>Left</b>	1 x USB Type C 1 x Line out 1 x Sim Card Cover 1 x Power Button
	<b>Rear</b>	1 x 5M Auto focus, Flash Light SOC CMOS Camera with DOE-N02(USB Signal) GOTEK 1 x 4G Antenna inside 2 x Speaker 0.8W
	<b>Up Side</b>	1 x GPS Antenna inside + 1 x Wifi Antenna
<b>POWER</b>	<b>AC/DC Adapter</b>	24V DC in By POGO & DC Jack
	<b>Battery</b>	2S1P 7.3V min 3,750mAh / typ 4,100mAh , 4 hours@ film with speaker, 50% brightness
<b>OS SUPPORT</b>		Windows 10 IoT Enterprise
<b>MECHANISM</b>	<b>IP Rating</b>	IP54 Protection
	<b>Dimensions ( W x H x D )</b>	278mm x 200mm x 30mm (W x H x D)
	<b>Weight</b>	2kg
<b>ENVIRONMENT</b>	<b>Operating Temperature</b>	-20~60°C Fixed Mount, 0~40°C Handheld
	<b>Storage Temperature</b>	-20~70°C
	<b>Relative Humidity</b>	5 to 85% RH (non-condensing)
<b>STANDARDS AND CERTIFICATIONS</b>	<b>Drop</b>	1 M Drop Tested
	<b>Certification</b>	CE, FCC, e-Mark (UNECE10 Compliance)
<b>Mounting</b>		VESA 75*75 , Cradle

► Expansion sets for RPC101-AL Industrial Tablet



Docking station

Item	Docking station
<b>USB</b>	<b>1</b>
<b>COM</b>	<b>1</b>
<b>DP++</b>	<b>1</b>
<b>DC IN</b>	<b>12V</b>
<b>Dimension</b>	<b>TBD</b>

► Ordering Information

Model Name	Part Number	Notes
<b>RPC101P-AL50</b>	<b>TBD</b>	10.1" Atom Tablet; RPC101P-AL50, Intel Atom E3950 , 4GB RAM, Capacitive Touch ,2M/5M Camera With Light sensor,12 VDC input, RoHs
<b>Docking station</b>	<b>TBD</b>	Tablet docking station: POGO to DP++, USB3.1, UART, DC IN