



# EC700-BT6051/6061

Atom

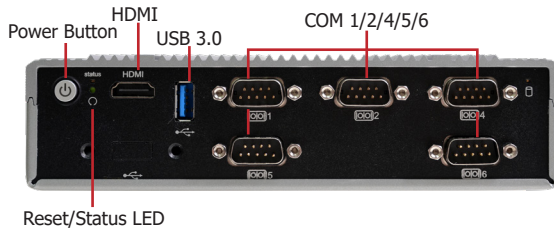


## Features

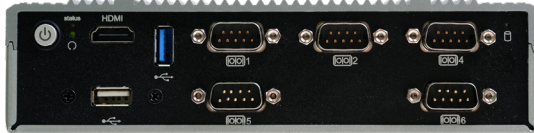
- 4GB DDR3L onboard
- mSATA, eMMC (optional)
- 1x 2.5" SATA drive bay
- 6 COM, 5/6 USB, 2 LAN
- Supports 3G/4G and GPRS application



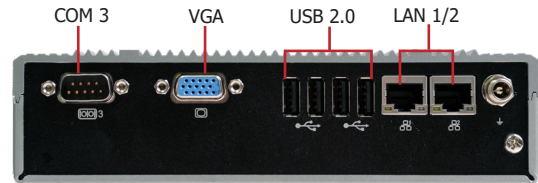
## Panel



Front View(BT6051)

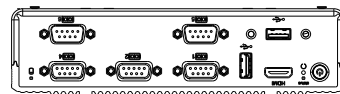


Front View(BT6061)

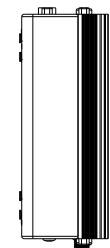


Rear View

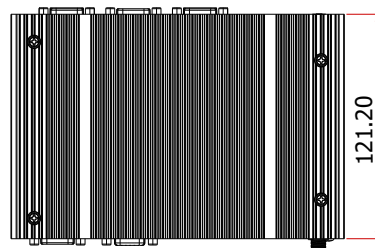
## Dimensions



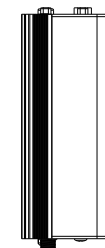
Rear View



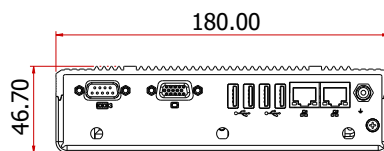
Left View



Top View



Right View

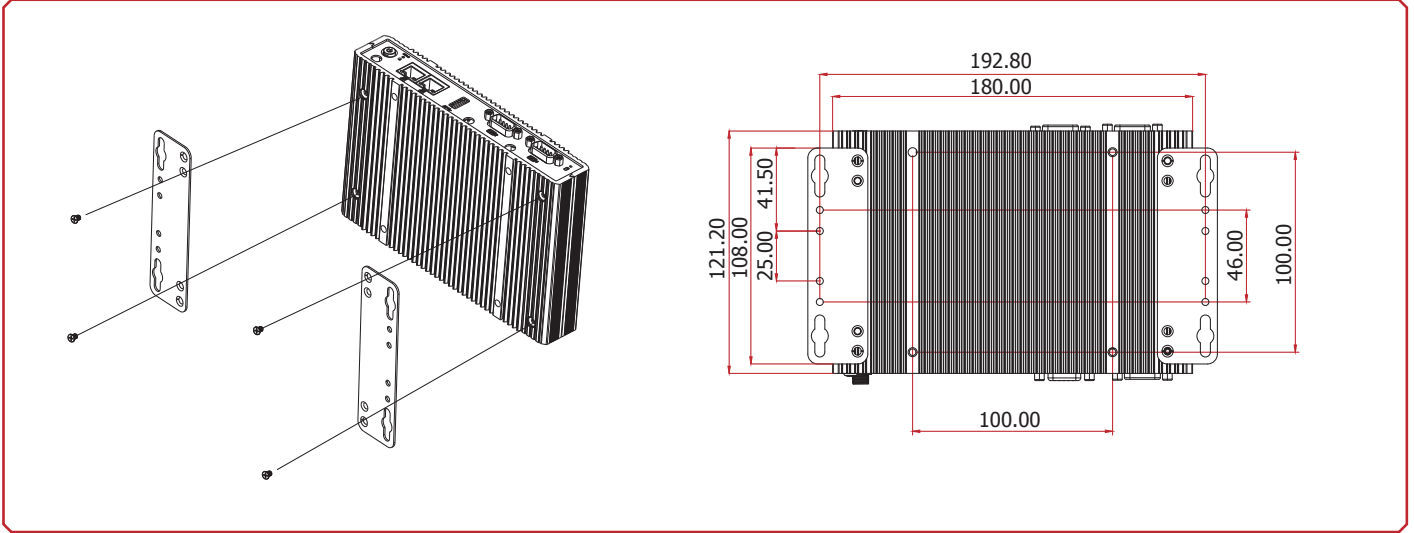


Front View

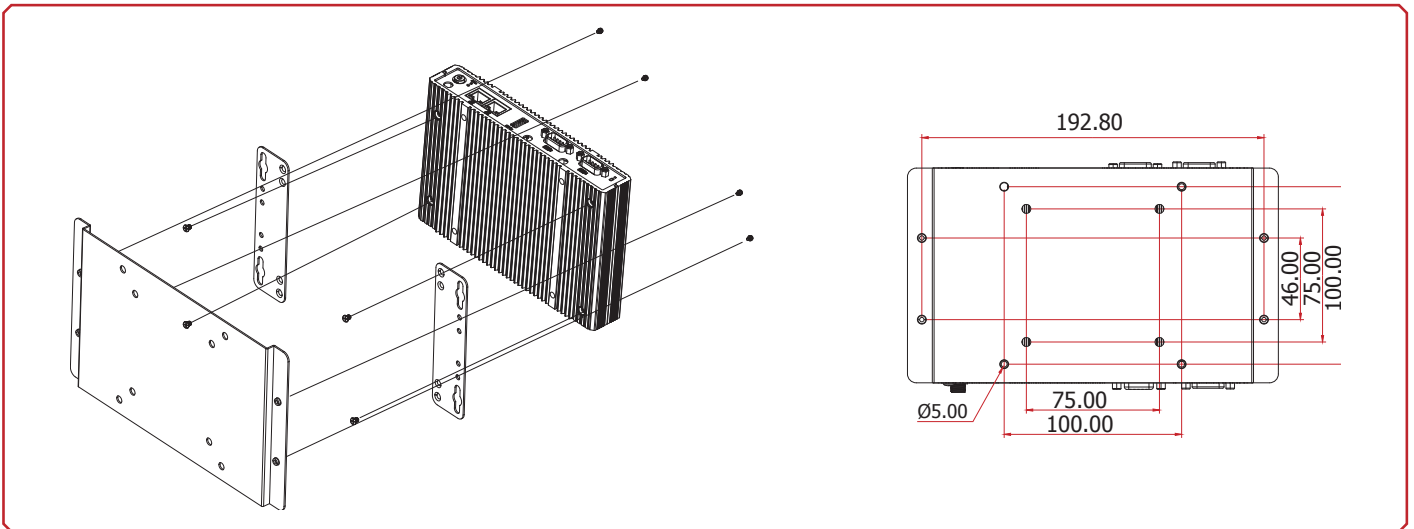
## Specifications

<b>SYSTEM</b>	<b>Processor</b>	Intel Atom® E3845, Quad Core, 2M Cache, 1.91GHz, 10W Intel® Celeron® J1900, Quad Core, 2M Cache, 2GHz (2.41GHz), 10W 22nm Process Technology
	<b>Memory</b>	4GB ECC Memory Onboard (E3845) Single Channel DDR3L1333MHz 4GB non-ECC Memory Onboard (J1900)
	<b>BIOS</b>	Insyde SPI 128Mbit (supports UEFI/Legacy mode)
<b>GRAPHICS</b>	<b>Controller</b>	Intel® HD Graphics
	<b>Display</b>	1 x VGA + 1 x HDMI HDMI: resolution up to 1920x1080 @ 60Hz VGA: 24-bit, resolution up to 2560x1600 @ 60Hz
	<b>Dual Displays</b>	1 VGA + 1 HDMI
<b>STORAGE</b>	<b>External/Internal</b>	1 x 2.5" SATA 2.0 Drive Bay 4GB/8GB/16GB/32GB eMMC Onboard (available upon request)
<b>EXPANSION</b>	<b>Interface</b>	1 x Full-size Mini PCIe (PCIe/USB/3G/GPRS) 1 x Full-size Mini PCIe (SATA) 1 x Half-size Mini PCIe (PCIe/USB/LPC) 1 x SIM
<b>AUDIO</b>	<b>Audio Codec</b>	Realtek ALC262
<b>ETHERNET</b>	<b>Controller</b>	2 x Intel® I210IT PCIe (10/100/1000Mbps)
<b>LED</b>	<b>Indicators</b>	1 x HDD LED 1 x Status LED
<b>FRONT I/O</b>	<b>Serial</b>	5 x COM port COM1, 2, 4 support RS-232/422/485 selectable (DB-9) (COM4 supports 8-bit DIO) COM5, 6 support RS-232 (DB-9)
	<b>USB</b>	1 x USB 3.0 (type A) (J1900) 1 x USB 3.0 (type A) + 1 x USB 2.0 (type A) (E3845)
	<b>Display</b>	1 x HDMI
	<b>Buttons</b>	1 x Power Button 1 x Reset Button
	<b>REAR I/O</b>	<b>Ethernet</b>
<b>WATCHDOG TIMER</b>	<b>Serial</b>	1 x COM port COM3 support RS232/422/485 (DB-9)
	<b>Display</b>	1 x VGA (DB-15)
	<b>USB</b>	4 x USB 2.0 (type A)
	<b>Wi-Fi Antenna</b>	3 x Wi-Fi Module Antenna Hole
	<b>Output &amp; Interval</b>	System Reset, Programmable via Software from 1 to 255 Seconds
<b>POWER</b>	<b>Type</b>	Wide Range 9~36V
	<b>Connector</b>	DC Jack
	<b>OS SUPPORT</b>	Windows 7, WES 7 Windows 10 IoT Linux (Distribution available upon request)
<b>MECHANISM</b>	<b>Construction</b>	Aluminum + Metal Aluminum
	<b>Mounting</b>	Wall/VESA mount
	<b>Dimensions (W x H x D)</b>	180mm x 46.7mm x 121.2mm
	<b>Weight</b>	985g
<b>ENVIRONMENT</b>	<b>Operating Temperature</b>	E3845: -20°C~60°C (SSD/mSATA), 0°C~50°C (HDD) J1900: 0°C~60°C (SSD/mSATA), 0°C~50°C (HDD)
	<b>Storage Temperature</b>	-20°C~85°C
<b>STANDARDS AND CERTIFICATIONS</b>	<b>Shock</b>	Half Sine Wave 15G, 11ms, 3 Shock Per Axis (SSD/mSATA) Half Sine Wave 3G, 11ms, 3 Shock Per Axis (HDD)
	<b>Vibration</b>	IEC68-2-64 (3G) (SSD/mSATA) IEC68-2-64 (1G) (HDD)
	<b>Certification</b>	CE, FCC Class B, RoHS, UL, CCC

▶ Wall Mounting



▶ VESA Mounting



### ► Ordering Information

Model Name	Part Number	Description
<b>EC700-BT6051-J194</b>	750-EC7000-I00G	EC700-BT6051-J194:Fanless, EC700, 2 LAN, 1 HDMI, 1 VGA, 6 COM, 5 USB, 4GB RAM,F/G SYSTEM RoHS
<b>EC700-BT6061-E454</b>	750-EC7000-J00G	EC700-BT6061-E454:Fanless, EC700, 2 LAN, 1 HDMI, 1 VGA, 6 COM, 6 USB, 4GB RAM,F/G SYSTEM RoHS

### ► Optional Items

Optional Items	Part Number	Description
<b>HDD</b>	785-H25500G	2.5" SATA HDD, 500GB, RoHS
	785-H25320G	2.5" SATA HDD, 320GB, RoHS
	785-S251TBG	2.5" SATA SSD, 1TB MLC, RoHS
	785-S25512G	2.5" SATA SSD, 512GB MLC, RoHS
	785-S25256G	2.5" SATA SSD, 256GB MLC, RoHS
	785-S25128G	2.5" SATA SSD, 128GB MLC, RoHS
	785-S25064G	2.5" SATA SSD, 64GB MLC, RoHS
<b>mSATA</b>	785-MS128GMF	mSATA Card, 128GB MLC, RoHS
	785-MS64GMF	mSATA Card, 64GB MLC, RoHS
	785-MS32GMF	mSATA Card, 32GB MLC, RoHS
	785-MS16GMF	mSATA Card, 16GB MLC, RoHS
	785-MS08GMF	mSATA Card, 8GB MLC, RoHS
	785-MS04GMF	mSATA Card, 4GB MLC, RoHS
<b>Wi-Fi</b>	761-110091-000G	Wi-Fi Kit, RoHS
<b>3G + GPS</b>	612-110040-600G	3G + GPS Kit, RoHS
<b>Power Cord</b>	785-PWRD	Power Cord, Standards (USA/EUR/CH), 1.8m, RoHS
<b>Power Adapter</b>	671-106012-000G	60W, 12V/5A, Level 6, RoHS
<b>Wall Mount</b>	761-EC8000-000G	EC700/800 Wall Mount Kit, RoHS
<b>VESA Mount</b>	761-EC7000-100G	EC700 VESA Mount Kit, RoHS
<b>DC Cord</b>	A81-004031-007G	UL 1185 (5.5x2.5x9.5mm) with Nut to stripped and tinned, length 1000mm

785-XXX is a group number instead of a unique part number. Please contact your regional sales representative if you need more information.

### ► Packing List

• 1 EC700-BT6051/6061 system unit
• Mounting screws for SATA drive
• Mounting screws for Mini PCIe module
• 1 Quick Installation Guide