

**DS SERIES**

# DS752LT5

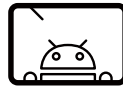
75" Ultra HD High Brightness 4,500 Nits Digital Signage



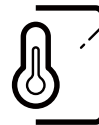
SUNLIGHT  
VIEWABLE IMAGE



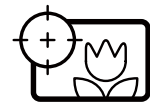
ULTRA HD  
4K RESOLUTION



BUILT-IN  
MEDIA PLAYER



THERMAL  
MANAGEMENT



TRUECOLOR™  
CALIBRATED

**FOR MORE INFORMATION**

For more information about DynaScan, visit our site at [www.dynascandisplay.com](http://www.dynascandisplay.com). Copyright © DynaScan Technology Inc. All rights reserved. All specifications and descriptions are subject to change without notice. Reproduction without permission is prohibited.

**DynaScan**

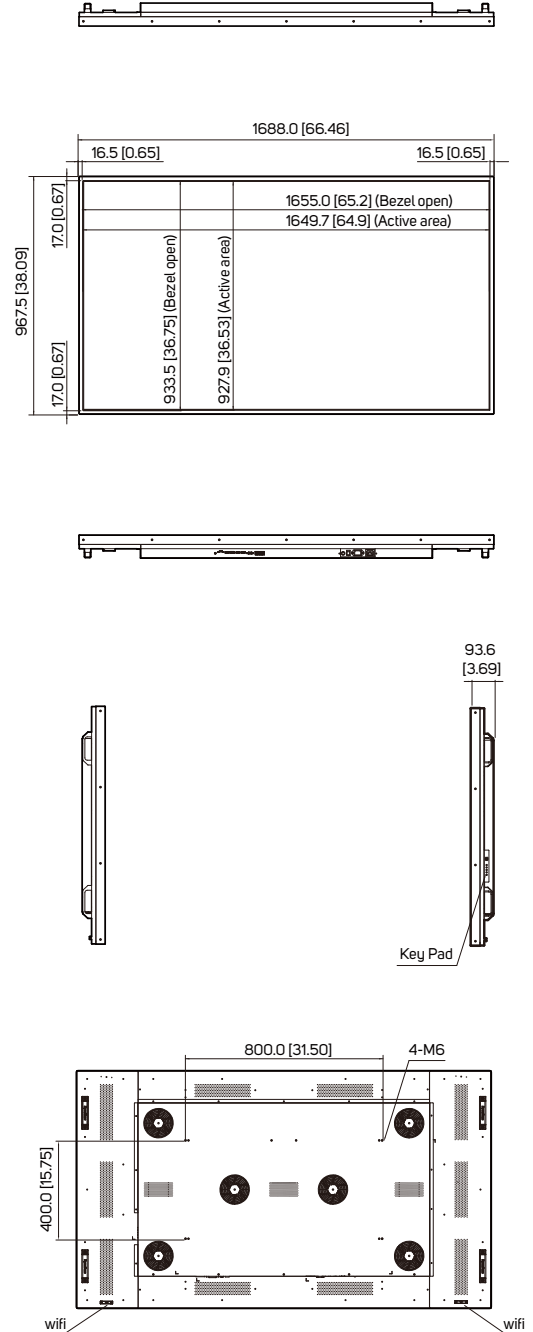
64606 | V1.03

## SPECIFICATION

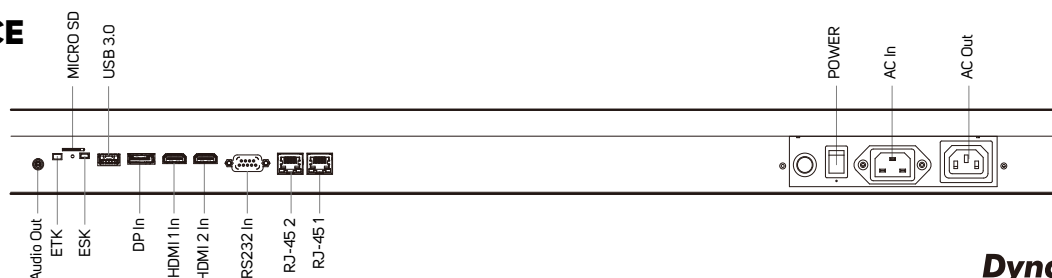
<b>MODEL</b>	DS752LT5		
<b>PANEL</b>	LCD Panel Type	74.52 inches LCD	
	Native Resolution	3840 x 2160	
	Backlight	LED	
	Default Color Temperature	D65 (6500 K)	
	Brightness	4,500 nits	
	Color Depth	10 bits	
	Contrast Ratio	3000 : 1	
	Response Time	8 ms	
	Viewing Angle (H/V)	178° / 178°	
	Light Life Time (Typ.)	100,000 hrs	
<b>POWER</b>	Panel Surface	AG Haze 3%, 2H	
	Blackening Defect Free	Up to 110°C (230°F)	
	Viewable With Polarized Lenses	Yes	
	Power Supply	Internal	
<b>POWER</b>	Rated Voltage	100-240V ~ 50/60Hz	
	Power On Mode (Typ./ Max.)	420 W / 800 W [TBC]	
	Power Saving Mode	< 1W	
<b>MECHANICAL SPECS</b>	AC out	< 100 W	
	Bezel Width (T/B/L/R)	17.0 / 17.0 / 16.5 / 16.5 mm	
	Cabinet Color	Black	
	Monitor Dimension (LxHxD)	1688 x 967.5 x 93.6 mm	
	Monitor Weight	58kg	
	Orientation	Portrait / Landscape	
	VESA Mounting (LxH)	800 x 400 mm	
	Carring Handles	Yes	
	<b>USER INTERFACE</b>	Language	English
		Support SNMP (Up to V3.0)	Yes
Dimming Control		Yes	
Proof of Image Retention		Yes	
Auto Orientation Sensor		Yes	
Ambient Light Sensor		Yes	
Power On/Off Scheduling		Yes	
<b>INPUT</b>	Internal Temperature Sensor	Yes	
	OSD Menu Rotation	Yes	
	HDMI	x2 (2160p)	
<b>OUTPUT</b>	Display Port	x1	
	USB	x1 (USB3.0)	
	Micro SD Slot	x1	
<b>EXTERNAL CONTROL</b>	RS-232	In x1	
	RJ-45	x2 (LAN)	
<b>INTERNAL PLAYER</b>	Operating System	Android 8.0.0	
	Processor	Dual-core A73 and dual-core A53	
	Clock speed	1.5GHz	
	Main memory interface	DDR4, 2G	
	Graphics	Quad-core MaliG51	
	Storage	Internal: 16GB eMMC Flash External: Support Micro SD, Up to 32GB(exFAT) /128GB(FAT32)	
	Multimedia	4K 10bits VP9/H265/H264 video decoders, up to 60fps 1080P other video decoders (VC-1, MPEG-1/2/4, VP8)	
<b>ENVIRONMENT</b>	Wi-Fi Specification	802.11 b/g/n   2412.0MHz - 2462.0MHz	
	Operating Temperature	0° C ~ 45° C	
	Storage Temperature	-20° C ~ 60° C	
<b>CERTIFICATION</b>	Humidity	10% ~ 80% RH Non-condensing	
		CE / FCC / RoHS	

## DIMENSIONS

Unit: mm [inch]



## INTERFACE



**DynaScan**

## Assured Systems

Assured Systems is a leading technology company with over 1,500 regular clients in 80 countries, deploying over 85,000 systems to a diverse customer base in 12 years of business. We offer high-quality and innovative rugged computing, display, networking and data collection solutions to the embedded, industrial, and digital-out-of-home market sectors.

### US

[sales@assured-systems.com](mailto:sales@assured-systems.com)

Sales: +1 347 719 4508  
Support: +1 347 719 4508

1309 Coffeen Ave  
Ste 1200  
Sheridan  
WY 82801  
USA

### EMEA

[sales@assured-systems.com](mailto:sales@assured-systems.com)

Sales: +44 (0)1785 879 050  
Support: +44 (0)1785 879 050

Unit A5 Douglas Park  
Stone Business Park  
Stone  
ST15 0YJ  
United Kingdom

VAT Number: 120 9546 28  
Business Registration Number: 07699660