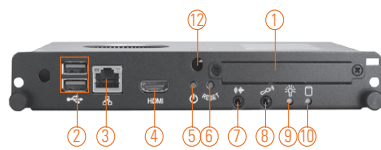


# OPS871

Socket G2 Intel® Core™ i7/i5/i3 Open Pluggable Specification (OPS) Digital Signage Player with Intel® QM77 and TPM 1.2



- |                  |                             |
|------------------|-----------------------------|
| 1. 2.5" HDD slot | 7. Audio (Line-out)         |
| 2. USB 3.0 x 2   | 8. Audio (Mic-in)           |
| 3. Ethernet      | 9. Power indicator          |
| 4. HDMI          | 10. HDD indicator           |
| 5. Power Switch  | 11. JAE TX-25               |
| 6. Reset         | 12. WiFi antenna (optional) |



## Specifications

Main System	CPU	Supports Socket G2 (rPGA988B) for 3rd Generation Intel® Core™ i7/i5/i3 processor (Ivy Bridge)
	Chipset	Intel® QM77
	System Memory	1 x 204-pin DDR3-1600 SO-DIMM max. up to 8 GB
	Storage	1 x 2.5" SATA HDD tray
	BIOS	AMI UEFI BIOS with OA 3.0 built
	Watchdog Timer	255 levels, 1 ~ 255 sec.
IO	2 x USB 3.0	
	1 x 10/100/1000Mbps Ethernet	
	1 x Power on/off button	
	1 x Reset button	
	1 x HDMI	
	1 x Audio (Line-out/Mic-in)	
	1 x DisplayPort (via OPS JAE interconnector) (Pure DP)	
	2 x USB 2.0 (via OPS JAE interconnector)	
	1 x USB 3.0 (via OPS JAE interconnector)	
	1 x HDMI/DVI (via OPS JAE interconnector)	
1 x Audio (Line-out, via OPS JAE interconnector)		
1 x UART (TX/RX, via OPS JAE interconnector)		
Indicator	1 x LED for system power ON	
	1 x LED for HDD active	
WiFi	Supports 802.11 b/g/n (optional)	
Expansion Slot	1 x PCI Express Mini Card	
Dimensions	200 mm (7.87") (W) x 119 mm (4.68") (D)	
	x 30 mm (1.18") (H)	
Packing Dimensions	270 mm (10.63") (W) x 197 mm (7.76") (D)	
	x 70 mm (2.76") (H)	
Weight (net/gross)	1 kg (2.2 lb)/1.5 kg (3.3 lb)	
Environmental	0°C ~ +45°C (+32°F ~ +113°F) (With airflow 1.2m/s)	

## Packing

1 x driver CD
1 x HDD mylar x 1
1 x thermal grease (syringe 1G)
2 x M3 x 4 screw
2 x M4 x 6 screw

\* All specifications and photos are subject to change without notice.

## Features

- Open Pluggable Specification (OPS) compliance
- Supports Socket G2 (rPGA988B) 3rd Generation Intel® Core™ i7/i5/i3 processor (Ivy Bridge)
- Intel® QM77 chipset
- DDR3-1600 SO-DIMM max. up to 8 GB
- Remote management: Intel® AMT (Active Management Technology) 8.0
- Easy maintenance: pluggable HDD and easy-to-change DRAM
- HDMI interface for 2nd display
- Supports TPM 1.2



▲ Rear view

## Optional OS Installation

Windows® XP, Windows® 7, Windows® Embedded 8

## Ordering Information

### Standard

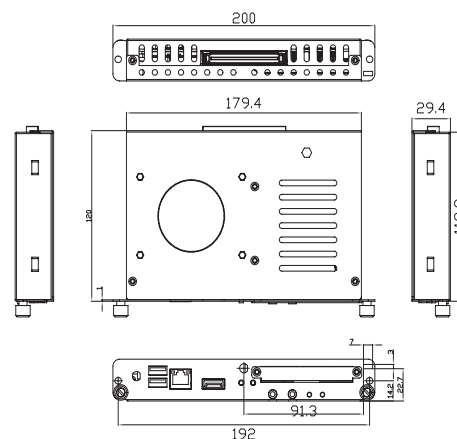
OPS871	Intel® OPS digital signage player supports socket G2 3rd Gen Intel® Core™ processor
(P/N:E22M871100)	

### Optional

AX93157	OPS docking board
---------	-------------------

\* Specification and certifications are based on options and may vary.

## Dimensions



Overview

Industrial Panel Computers & Monitors

Heavy-duty Fanless Touch Panel Computers

**3** Digital Signage Solutions

Healthcare & Medical Solutions

Open Frame Panel Computers

Accessories



## Assured Systems

Assured Systems is a leading technology company with over 1,500 regular clients in 80 countries, deploying over 85,000 systems to a diverse customer base in 12 years of business. We offer high-quality and innovative rugged computing, display, networking and data collection solutions to the embedded, industrial, and digital-out-of-home market sectors.

### US

[sales@assured-systems.com](mailto:sales@assured-systems.com)

Sales: +1 347 719 4508  
Support: +1 347 719 4508

1309 Coffeen Ave  
Ste 1200  
Sheridan  
WY 82801  
USA

### EMEA

[sales@assured-systems.com](mailto:sales@assured-systems.com)

Sales: +44 (0)1785 879 050  
Support: +44 (0)1785 879 050

Unit A5 Douglas Park  
Stone Business Park  
Stone  
ST15 0YJ  
United Kingdom

VAT Number: 120 9546 28  
Business Registration Number: 07699660