

# W15IB3S-PTA3

15.6" PT Series HMI Panel PC



## KEY FEATURES

- 15.6" 1920 x 1080 with PCAP touchscreen
- A true flat, easy-to-clean front surface with edge-to-edge design
- Fanless cooling system and ultra low power consumption
- Front IP65 for protection against water and dust
- Intel® Celeron® N2930 1.83 GHz
- Plastic housing

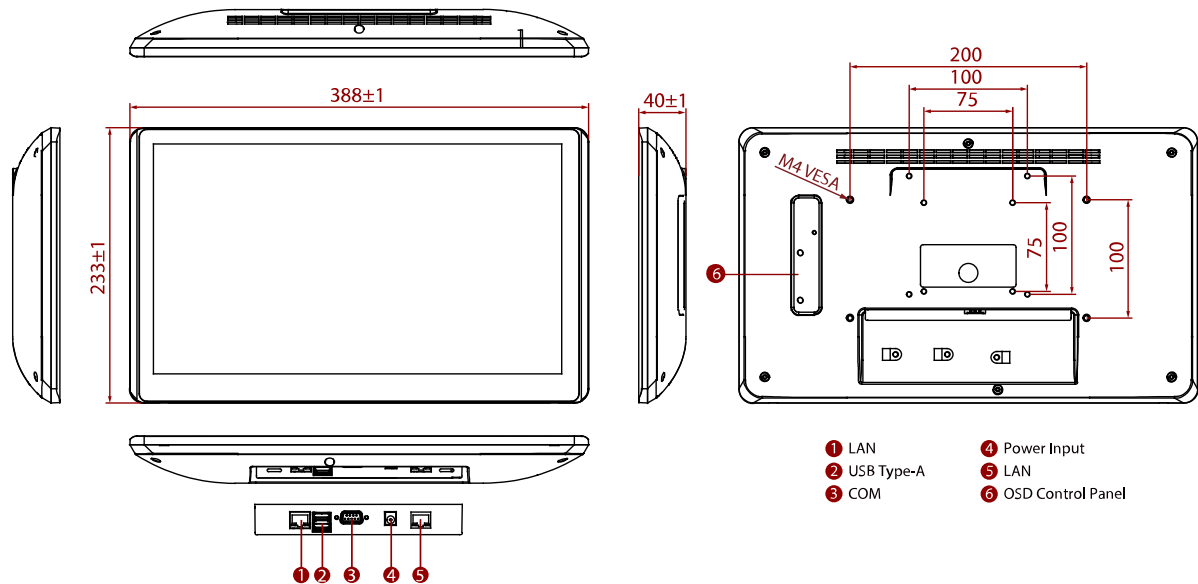


## SPECIFICATIONS

Display			
<b>Touch / Glass</b>	Projected Capacitive Multi Touch Screen	<b>Resolution</b>	1920x1080
<b>Size</b>	15.6 inches	<b>Contrast Ratio</b>	800:1
<b>Panel Brightness</b>	400 nits	<b>View Angles</b>	85,85,85,85
System Specification			
<b>Processor</b>	Intel® Celeron® N2930 (2M Cache, up to 2.16 GHz)	<b>Memory</b>	1 x SO-DIMM, DDR3L 1600 MHz, 4GB 8GB (Optional)
<b>Storage</b>	1 x M.2 2242 SSD 64GB. M.2 2242 SSD up to 512GB. (Optional)	<b>Ethernet controller</b>	2 x Intel® Ethernet Controller I210-AT
<b>Security</b>	TPM 2.0	<b>Operating System</b>	Windows 7 Embedded Systems (Optional) Windows 10 IoT Enterprise (Optional) Linux Ubuntu 18.04 (Optional)
Environment			
<b>Operating Humidity</b>	10% to 90% (non-condensing)	<b>Operating Temperature</b>	0~50°C
<b>Storage Temperature</b>	-20~60°C	<b>IP rating</b>	Front IP65
Certification			
<b>Certification</b>	CE, FCC		
Mechanical			
<b>Dimension</b>	388 x 233 x 40 mm	<b>Mounting</b>	VESA Mount/ Panel Mount
<b>Enclosure</b>	Plastic	<b>Cooling System</b>	Fanless Design
IO Ports			
<b>USB Port</b>	1 x USB 3.0 1 x USB 2.0	<b>Serial Port</b>	1 x RS-232/422/485
<b>Audio</b>	2 x Speaker	<b>LAN</b>	1 x RJ 45-10/100/1000 Mbps 1 x RJ 45-10/100/1000 Mbps with PoE (Optional)
<b>Indicator</b>	Power LED Indicator		
Accessory			
<b>Accessory</b>	Driver CD Quick Start Guide(Hardcopy) AC Adapter 12V/50W Power Cord		

Power			
Power Rating	12V DC in	POE	Power Device (PD), follows IEEE 802.3at (25 W)
Control			
Button	1 x Power Button 1 x Reset Button		

**DIMENSIONS** UNIT:MM



**NOTE**

1. This is a simplified drawing and some components are not marked in detail.
2. Please contact our sales representative if you need further product information.
3. All specifications are subject to change without prior notice.
4. The product shown in this datasheet is a standard model. For diagrams that contain customized or optional I/O, please contact the Winmate Sales Team for more information.

## Assured Systems

Assured Systems is a leading technology company with over 1,500 regular clients in 80 countries, deploying over 85,000 systems to a diverse customer base in 12 years of business. We offer high-quality and innovative rugged computing, display, networking and data collection solutions to the embedded, industrial, and digital-out-of-home market sectors.

### US

[sales@assured-systems.com](mailto:sales@assured-systems.com)

Sales: +1 347 719 4508  
Support: +1 347 719 4508

1309 Coffeen Ave  
Ste 1200  
Sheridan  
WY 82801  
USA

### EMEA

[sales@assured-systems.com](mailto:sales@assured-systems.com)

Sales: +44 (0)1785 879 050  
Support: +44 (0)1785 879 050

Unit A5 Douglas Park  
Stone Business Park  
Stone  
ST15 0YJ  
United Kingdom

VAT Number: 120 9546 28  
Business Registration Number: 07699660