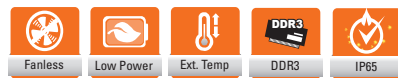


GOT610-837

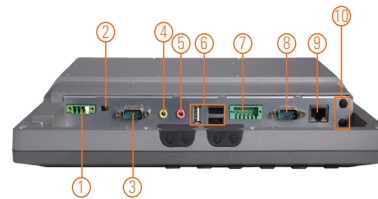
10.4" XGA Fanless Touch Panel PC with Intel® Atom® Processor E3845 1.91 GHz for Heavy-duty Vehicle (-30°C to +55°C)

Features

- Intel® Atom® processor E3845 1.91 GHz
- Auto-dimming for different environment
- Rugged IP65 front bezel design
- Front hot keys for easy access
- Wide operating temperature range from -30°C to +55°C
- Various mounting ways
- 5-wire resistive or projected capacitive touch
- Class 5M3 and MIL-STD 810F for vibration/shock resistance



1. Mult-function key
2. Brightness +/-
3. Volume +/-
4. LCD on/off
5. LED indicator
6. LED light sensor



1. DC-in
2. AX/ATX mode switch
3. CANBus
4. 1 x Line-out
5. 1 x Mic-in
6. 3 x USB 2.0 type A
7. DIO (6-in/2-out)
8. 1 x RS-232/422/485
9. 1 x LAN
10. 2 x Wireless antenna hole
11. 3G/LTE/WIFI antenna hole

Introduction

The GOT610-837 vehicle mount terminal focuses on logistics, automation and heavy-duty markets. The GOT610-837 has advanced the platform to meet the daily challenges and demanding work environments of warehouses and distribution center. The GOT610-837 is in use to improve efficiencies across the facility. Especially in the case of forklifts, embedding a capable mobile terminal can improve productivity and reduce errors from the docks to the yard. Having access to accurate information at all time in real-time aids in every process from receiving to storing, moving around, cross docking and picking. Axiomtek serves the needs of supply chain operations to meet any harsh conditions.

Wide Operating Temperature

The Intel® Atom®-based forklift panel PC, GOT610-837, applies unique extended temperature technology with wide temperature range support as well as fanless operation. It also has a compact design for transport heavy-duty environment.

Designed for Vehicle Markets

The Axiomtek GOT610-837 is particularly suitable for demanding HMI applications in the vehicle-mounted sector, including arranging stocks and picking goods up and away. To ensure the reliable operation in a variety of different locations, the 10.4-inch vehicle-mounted panel PC supports various mounting options: wall mount, VESA arm and desktop stand. Moreover, it is also ready for Windows® 10, 8.1 or 7.

Specifications

Front Bezel	IP65, NEMA 4 rugged protection, aluminum front bezel		
LCD Panel	Display Type	10.4" XGA TFT LCD	
	Brightness (cd/m ²)	500 nits	
	Resolution	1024 x 768	
	Viewing Angle (H/V)	176°/176°	
Main System	CPU	Intel® Atom® processor E3845 1.91 GHz (Bay Trail)	
	Chipset	SoC integrated	
	System Memory	DDR3 4GB (default) or 8GB memory onboard	
	BIOS	AMI with Axiomtek standard features; such as SmartView, Ethernet Boot ROM (RPL & PXE), customer CMOS backup	
	Storage	16GB flash onboard 1 x mSATA	
	Watchdog Timer	255 levels, 1 to 255 sec.	
	Onboard Graphics	Integrated in Intel® GFX	

Specifications

I/O Connector	1 x 10/100/1000 Mbps Ethernet with isolated 1.5KV 4 x USB (type A) 1 x RS-232/422/485 with isolated 1.5KV (D-sub 9 male) 1 x DC for power input with isolated 1.5KV 1 x Audio (Line-out & Mic-in) 1 x DIO (6-in/2-out) with isolated 1.5KV 1 x CAN bus with isolated 1.5KV 3 x Internal antenna (SMA) 1 x SIM socket
Expansion Interface	2 x PCI Express Mini Card slot
Flat Panel	5-wire resistive or projected capacitive touch
Power Supply	9 to 60 VDC
Power Consumption	44.5W
Dimensions	291 mm (11.46") (W) x 265.88 mm (10.47") (D) x 50 mm (1.97") (H)
Packing Dimensions	382 mm (15.04") (W) x 185 mm (7.28") (D) x 427 mm (16.81") (H)
Weight (net)	2.05 kgs (4.52 lb)
Operating Temperature	-30°C to +55°C (-22°F to +131°F)
Relative Humidity	10% to 95% @ 40°C, non-condensing
Certifications	EN 60721-3-5

* W.T.: Wide Temperature. All W.T. supported products have to be sorted by Axiomtek.

Ordering Information

GOT610-837	10.4" XGA fanless touch panel computer with Intel® Atom® E3845, 5-wire resistive touch screen and 9 to 60 VDC power input
------------	---

Specifications and certifications may vary based on different requirements.

Optional EOS Installation

WES 7
WE8S
Windows® 10 IoT

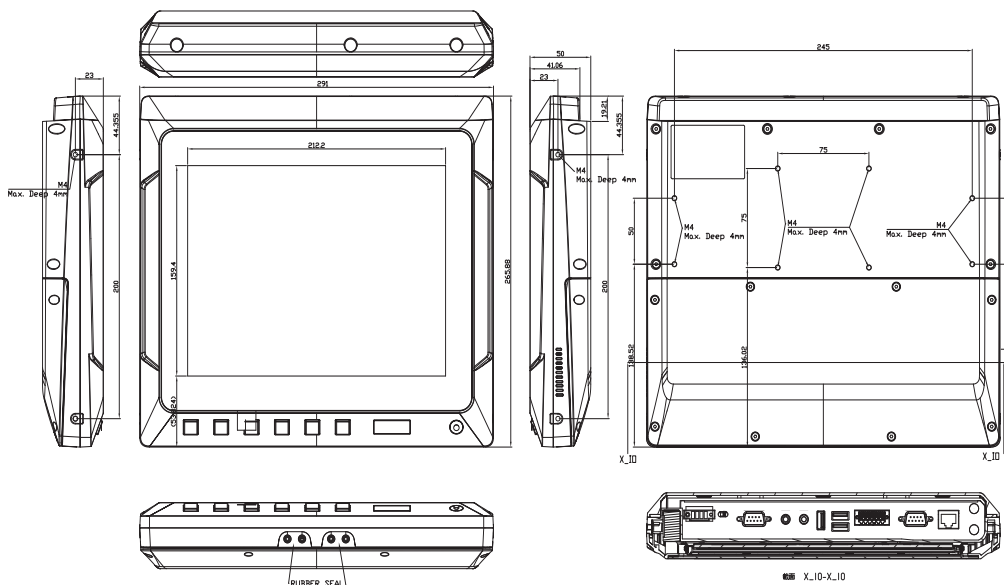
Optional OS Installation

Windows® 7
Windows® 8/8.1
Windows® 10

Packing List

- 1 x GOT610-837 unit
- 1 x Driver CD
- 2 x Phoenix connector (1 x power 4-pin/1 x DIO 12-pin)

Dimensions



Assured Systems

Assured Systems is a leading technology company with over 1,500 regular clients in 80 countries, deploying over 85,000 systems to a diverse customer base in 12 years of business. We offer high-quality and innovative rugged computing, display, networking and data collection solutions to the embedded, industrial, and digital-out-of-home market sectors.

US

sales@assured-systems.com

Sales: +1 347 719 4508
Support: +1 347 719 4508

1309 Coffeen Ave
Ste 1200
Sheridan
WY 82801
USA

EMEA

sales@assured-systems.com

Sales: +44 (0)1785 879 050
Support: +44 (0)1785 879 050

Unit A5 Douglas Park
Stone Business Park
Stone
ST15 0YJ
United Kingdom

VAT Number: 120 9546 28
Business Registration Number: 07699660