

GOT815A-TGL-WCD NEW

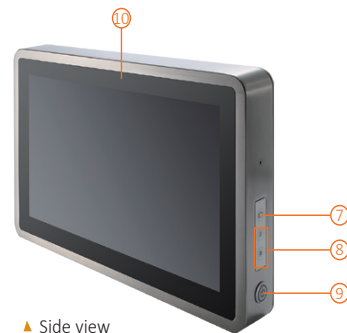
15.6" WXGA TFT IP66 & IP69K-rated Stainless Steel Fanless PCT Panel Computer with Intel® Core™ i5-1145G7E or Celeron® 6305E Processor and Flat Bezel Design (-20°C to +50°C)



- | | |
|--|--|
| 1. DC power connector | 6. 2 x USB 2.0 |
| 2. 1 x 2.5GbE LAN | 7. Backlight on/off |
| 3. 1 x RS-232/422/485 (default RS-232) | 8. Brightness settings +/- |
| 4. 1 x RS-232/422/485 (default RS-232) | 9. Power on/off |
| 5. 2 x USB 2.0 | 10. Proximity and light sensors (optional) |

Features

- 15.6" WXGA TFT flat bezel LCD display
- IP66/IP69K-rated (NEMA 4) water/dust design
- Full stainless-steel enclosure with SUS 304
- -20°C to +50°C wide operating temperature range
- Fanless design with Intel® Core™ i5-1145G7E or Celeron® 6305E processor
- Wi-Fi kit for wireless network connectivity (optional)
- Supports VESA mount
- M12-type connectors for harsh environments
- Supports proximity and light sensors (optional)



▲ Side view

Introduction

The 15.6-inch GOT815A-TGL-WCD is specially designed for food processing applications. Its IP66-rated stainless steel housing protects entire system from damage of water, powder and dust. It also supports a wide operating temperature range from -20°C to +50°C. Thus, this robust unit is specifically designed for high humidity, dusty or wet spaces in food factories or kitchens and more harsh applications.

Full IP66 and IP69K Certified

The GOT815A-TGL-WCD adopts a water/dust-proof housing design with five IP66-rated M12 I/O connectors and IP69K that ensures the product's ability to resist ingress of high temperature and high pressure water. It was not only tested entire system IP66 by SGS and passed but also tested by a spray nozzle with high temperature water (+80°C), a flow rate of 14 to 16 L/min and a nozzle hold with distance 10 to 15 cm away from the device at angles of 0°, 30°, 60° and 90° for 30 seconds. The GOT815A-TGL-WCD is qualified to meet harsh-environment applications.

Wide Temperature (-20°C to +50°C) & Anti-vibration (1G) Design

The GOT815A-TGL-WCD featuring fanless and noiseless design supports a wide operating temperature range from -20°C to +50°C. Besides, the patent of anti-vibration for SSD ensures reliability and stability.

Specifications

Enclosure	Stainless steel (SUS) 304 or 316 (optional)		
LCD Panel	Display Type	15.6" WXGA TFT LCD	
	Brightness (cd/m ²)	400 nits	
	Resolution	1366 x 768	
	Viewing Angle (H/V)	170°/165°	
Main System	CPU	Intel® Core™ i5-1145G7E 2.6 GHz or Celeron® 6305E 1.8GHz	
	Chipset	SoC integrated	
	TPM	TPM 2.0 on board	
	System Memory	1 x 260-pin DDR4-3200 SO-DIMM, up to 32GB	
	BIOS	AMI UEFI BIOS	
	Storage	1 x 2.5" SATA SSD (9.5mm height)	
	Watchdog Timer	65536 levels, 0 to 65535 sec.	
	Onboard Graphics	Integrated with Intel® Iris® Xe Graphics (Core™ i5-1145G7E)	
		Integrated with Intel® UHD Graphics (Celeron® 6305E)	
I/O Connector	2 x RS-232/422/485 (default RS-232, A-coded) 4 x USB 2.0 (A-coded) 1 x 2.5GBase-T Ethernet with Intel® I225 (X-coded) supporting Wake-on-LAN and PXE Boot ROM 1 x DC power connector (M12 A-coded)		
Expansion Interface	1 x M.2 Key E slot (with PCIe x1 and USB 2.0 supported), dimensions: 22 x 30 mm		
Touchscreen	Projected capacitive multi-touch		
Power Input	12 to 24 VDC		
Power Consumption	72W		
Dimensions	414.8 mm (16.33") (W) x 55 mm (2.2") (D) x 265.1 mm (10.44") (H)		
Packing Dimensions	535 mm (21.06") (W) x 196 mm (7.72") (D) x 485 mm (19.09") (H)		
Weight (net/gross)	5.8 kg (12.78lb)/8.8 kg (19.40lb)		
Operating Temperature	-20°C to +50°C (-4°F to +122°F)		
Relative Humidity	10% - 95% @ +40°C, non-condensing		
Operation Vibration	1G, 5 - 500Hz, random for 2.5" SSD		
Certifications	CE, EN 61000-6-2, EN 61000-6-4, and FCC Class A		
	C1D2 certified (must install I/O cover, 882B815A0A0E/ 882B815A1A0E)		

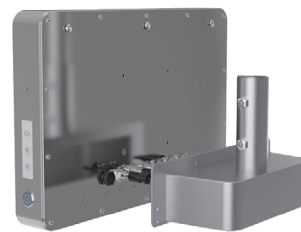
*W.T.: Wide temperature. All W.T. supported products have to be sorted by Axiomtek.

*To comply with C1D2 certification, please refer to "Optional C1D2 Accessories" to install specific accessories.

I/O Cover Kit



882B815A0A0E
GOT815A-C1D2-Cover-DN Kit



882B815A1A0E
GOT815A-C1D2-Cover-UP Kit

Ordering Information

GOT815A-TGL-WCD (P/N: E22B815A00)	15.6" WXGA fanless IP66 & IP69K-rated stainless steel touch panel computer with Intel® Core™ i5-1145G7E, projected capacitive touch screen, 400 nits LCD, and 12 to 24 VDC power input
GOT815A-11C-WCD (P/N: E22B815A01)	15.6" WXGA fanless IP66 & IP69K-rated stainless steel touch panel computer with Intel® Celeron 6305E, projected capacitive touch screen, 400 nits LCD, and 12 to 24 VDC power input

* Other configuration by request

* Specification and certifications may vary based on different requirements

Packing List

1 x GOT815A-TGL-WCD
1 x DC cable

Optional Accessories

594B8122100E	Water-proof COM cable (1.8 m)
594B7102700E	Water-proof LAN cable (1.8 m)
594B8152820E	Water-proof USB cable (1.8 m)
509000002200	Adapter 24V 90W, M12 A-code 5P
882B815A0A0E	GOT815A-C1D2-Cover-DN Kit
882B815A1A0E	GOT815A-C1D2-Cover-UP Kit

Optional C1D2 Accessories

E9C1000016	WT DDR4 3200 SO-DIMM 32GB 260P SEC
E9C1000037	WT DDR4 3200 SO-DIMM 16GB 260P SEC
E9C1000074	WT DDR4 3200 SO-DIMM 8GB 260P Micron
E9C1000087	WT DDR4 3200 SO-DIMM 4GB 260P SEC
E9C2F1512H	WT 2.5" SSD 512GB FSA512GMW5T-DN MLC
E9C2F1256N	WT 2.5" SSD 256GB FSA256GMW5T-DN MLC
E9C2F01280	WT 2.5" SSD 128GB FSA128GMW5T-DN MLC
822B815A050E	GOT8xxA WiFi5 M2/WT 40/40CM C1D2 SFP

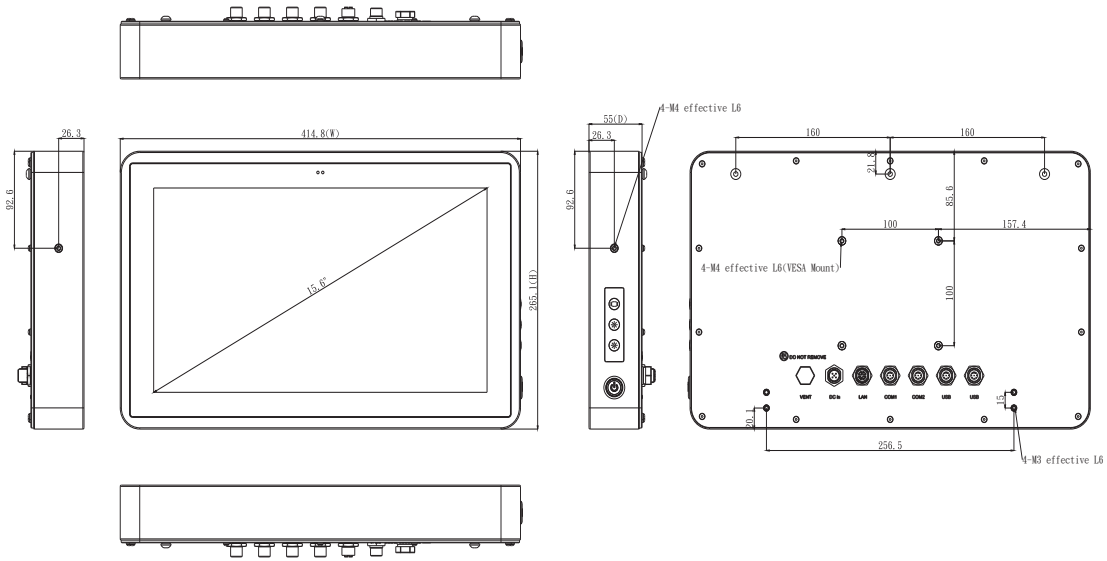
Optional EOS Installation

Windows® 10 IoT, Windows® 11 IoT

Optional OS Installation

Windows® 10, Windows® 11 and Linux

Dimensions



Assured Systems

Assured Systems is a leading technology company with over 1,500 regular clients in 80 countries, deploying over 85,000 systems to a diverse customer base in 12 years of business. We offer high-quality and innovative rugged computing, display, networking and data collection solutions to the embedded, industrial, and digital-out-of-home market sectors.

US

sales@assured-systems.com

Sales: +1 347 719 4508
Support: +1 347 719 4508

1309 Coffeen Ave
Ste 1200
Sheridan
WY 82801
USA

EMEA

sales@assured-systems.com

Sales: +44 (0)1785 879 050
Support: +44 (0)1785 879 050

Unit A5 Douglas Park
Stone Business Park
Stone
ST15 0YJ
United Kingdom

VAT Number: 120 9546 28
Business Registration Number: 07699660